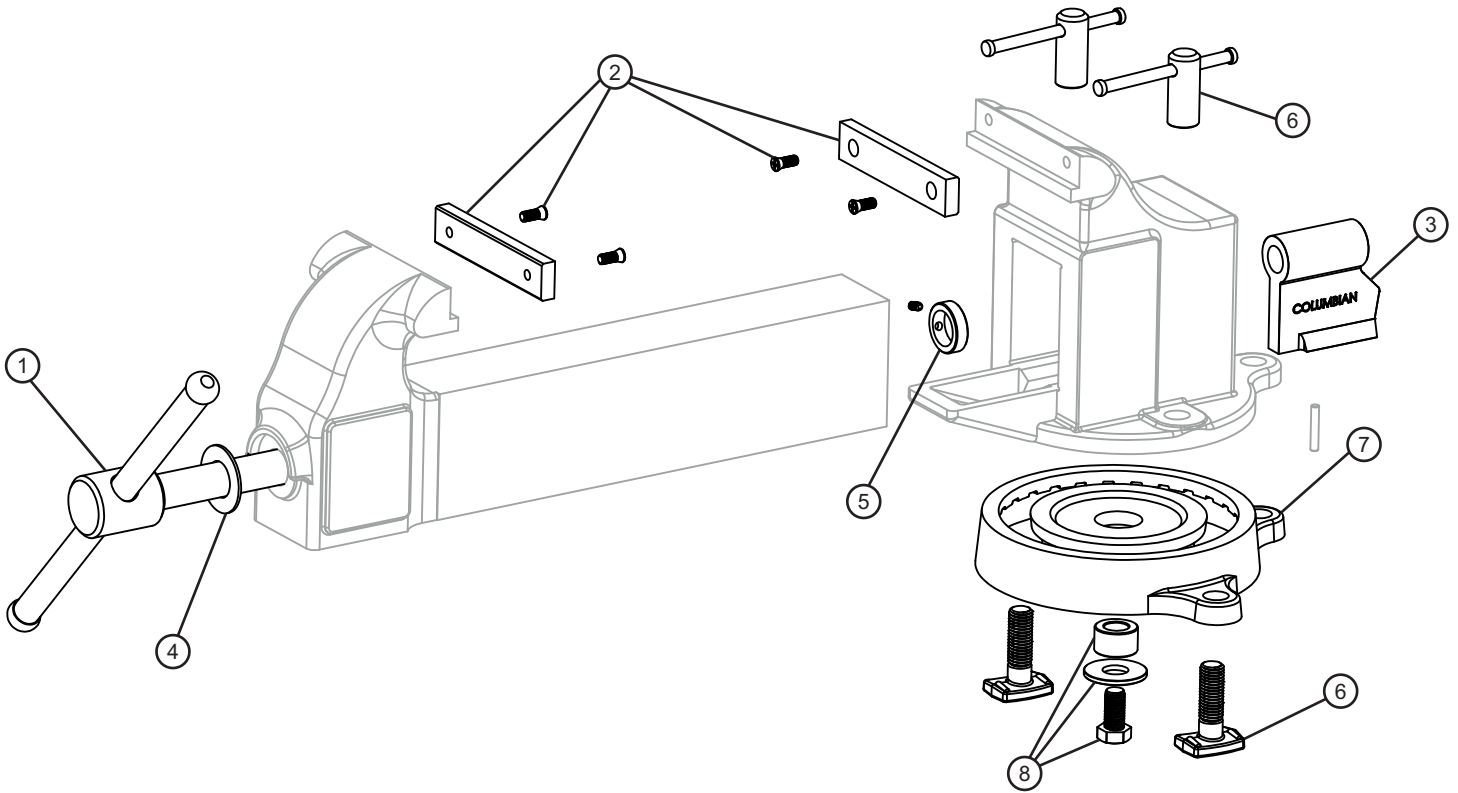




606M3 MACHINIST VISE (1/87) (TEXT) - Parts Diagram

6" Jaw Width, 10" Jaw Opening, 4-3/8" Jaw Depth

Stock #: 10206 Model #: 606M3



#	Part	Description
1	10106S23	Spindle & Handle Assembly
2	10106S40	Serrated Jaw Inserts w/ Screws
3	10106S04	Spindle Nut
4	10106S24	Spindle Head Washer
5	10106S25	Collar & Set Screw
6	10205S51	Lock Nut & Bolt Assembly (assembly for 1 side)
7	10206S03	Swivel Base Plate
8	10206S50	Center Swivel Bolt Assembly