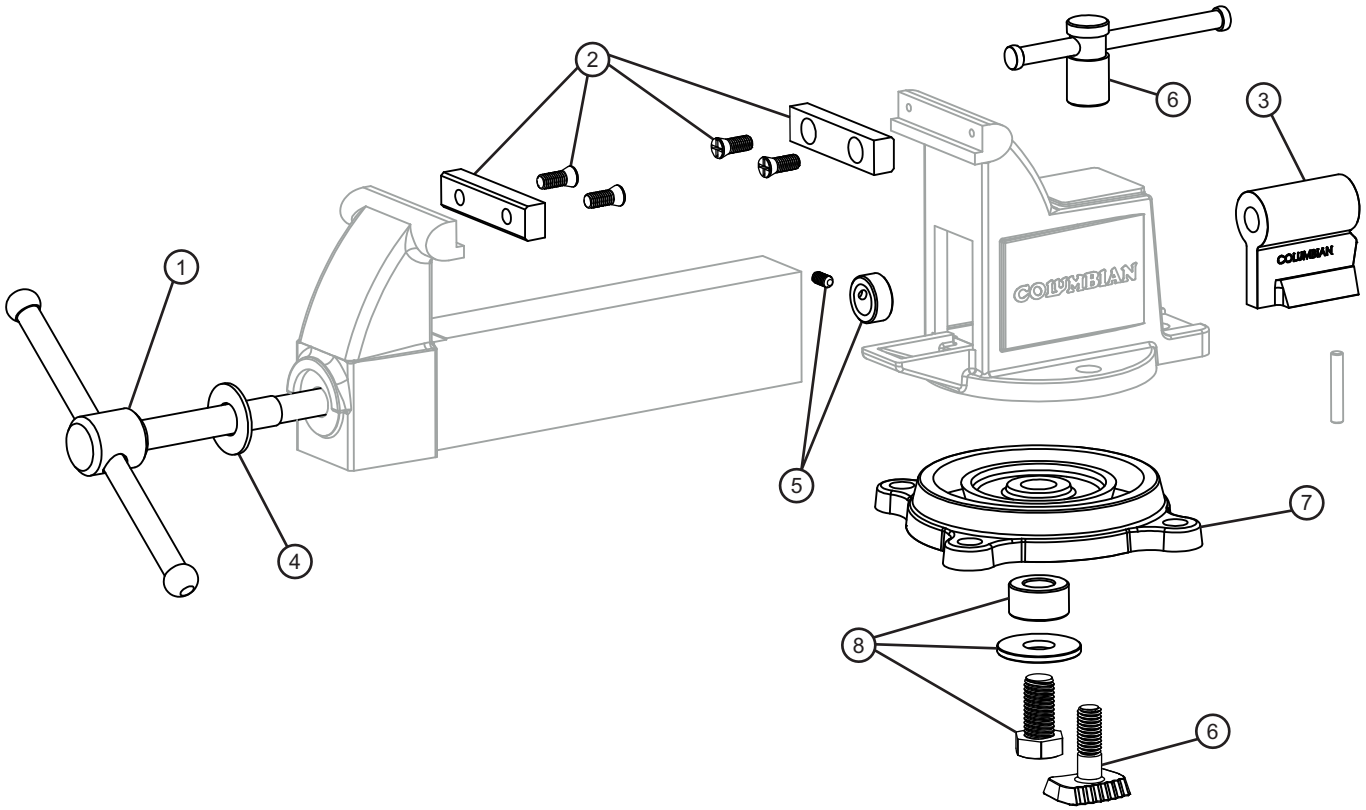




604M3 MACH. VISE (TEXT) - Parts Diagram

4" Jaw Width, 6" Jaw Opening, 3-5/8" Jaw Depth

Stock #: 10203 Model #: 604M3



#	Part	Description
1	10103S23	Spindle & Handle Assembly
2	10103S40	Serrated Jaw Inserts w/ Screws
3	10103S04	Spindle Nut
4	10103S24	Spindle Head Washer
5	10103S25	Collar & Set Screw
6	10203S51	Lock Nut & Bolt Assembly
7	10202S03	Swivel Base Plate
8	10203S50	Center Swivel Bolt Assembly