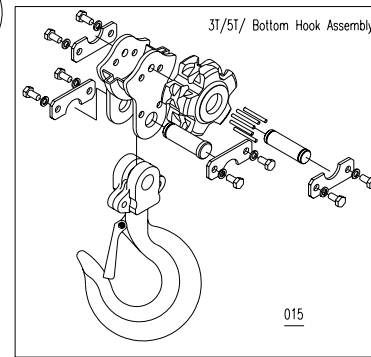
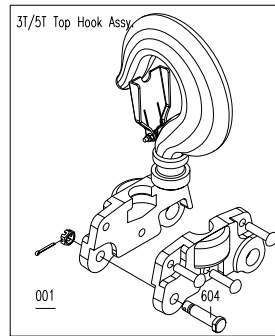
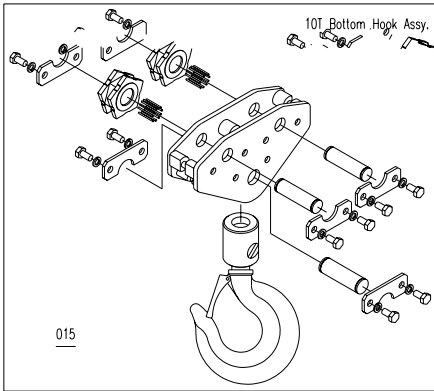
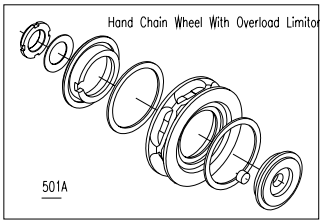
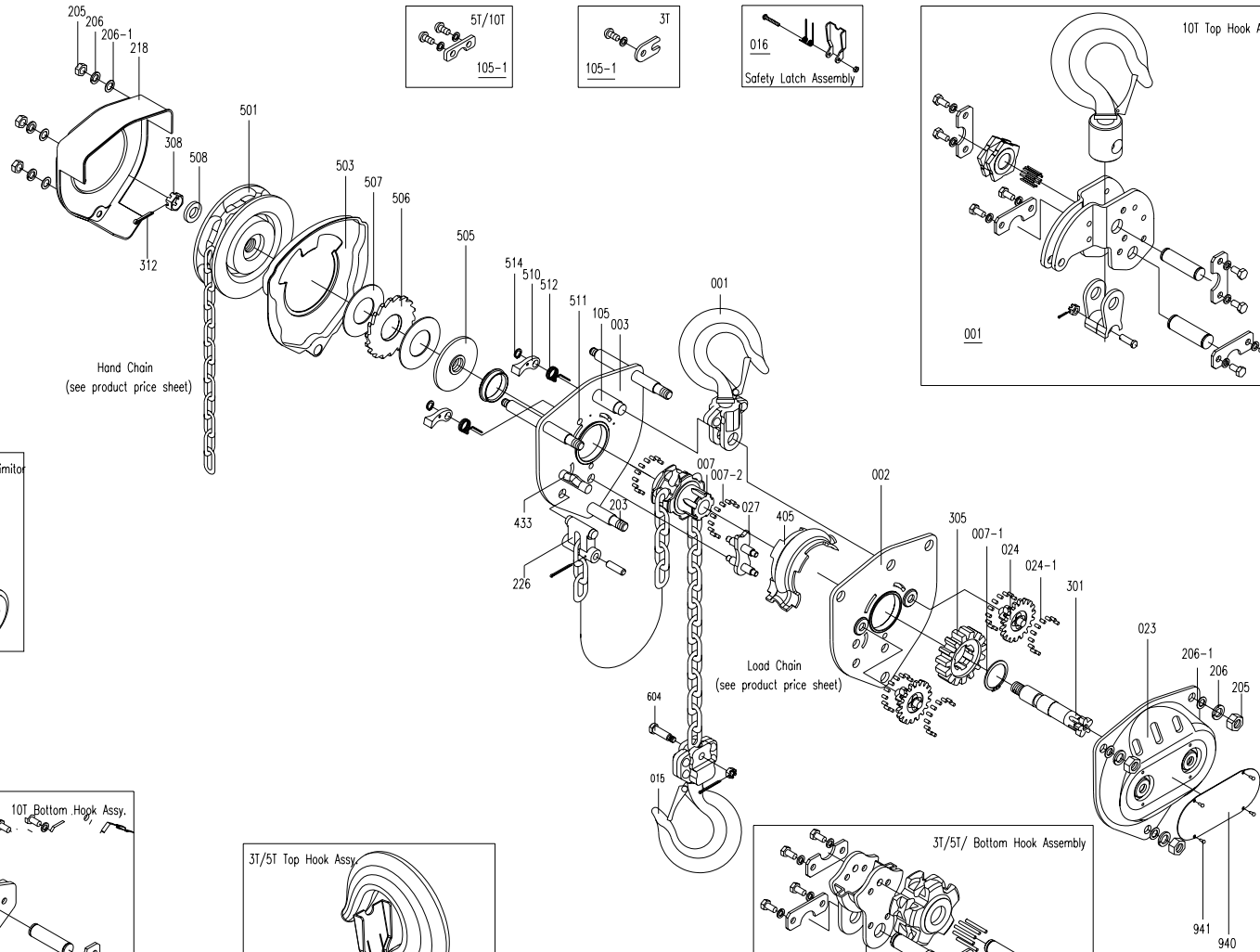
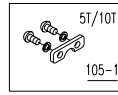
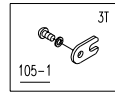
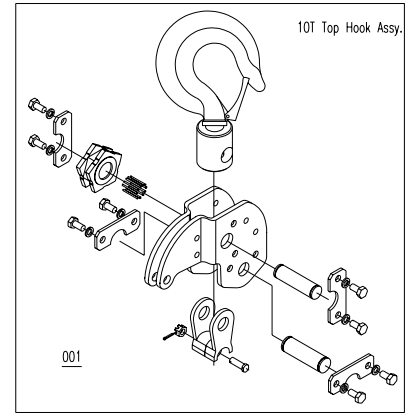


Parts SMH Chain Hoist



Parts List: 1-Ton SMH Chain Hoist

Index No.	Part No.	Description	Size	Qty
001	SMH-001B	Top Hook Assembly		1
002	SMH-002B	Gear Side Plate Assembly		1
003	SMH-003B	Wheel Side Plate Assembly		1
007	SMH-007B	Load Sheave		1
007-1	SMH-007-1B	Snap Ring	30	1
007-2	SMH-007-2B	Roller Kit	60 Rollers	1
015	SMH-015B	Bottom Hook Assembly		1
016	SMH-016B	Safety Latch Assembly		2
023	SMH-023B	Gear Case Assembly		1
024	SMH-024B	Spur Gear Assembly		2
024-1	SMH-024-1B	Roller Kit	12 Rollers	4
027	SMH-027B	Stripper Assembly		1
105	SMH-105B	Top Hook Pin		1
203	SMH-203B	Stay Bolt		3
205	SMH-205B	Cover Nut		6
206	SMH-206B	Lock Washer		6
206-1	SMH-206-1B	Flat Washer		6
218	SMH-218B	Hand Wheel Cover		1
226	SMH-226B	Anchor Plate		1
301	SMH-301B	Drive Shaft		1
305	SMH-305B	Load Gear		1
308	SMH-308B	Castle Nut		1
312	SMH-312B	Split Pin	3.2 x 25	1
405	SMH-405B	Load Sheave Cover		1
433	SMH-433B	Load Sheave Cover Pin		1
501	SMH-501B	Hand Chain Wheel		1
501A	SMHX-501B	Hand Chain Wheel Assembly (Overload Protection)		1
503	SMH-503B	Brake Cover		1
505	SMH-505B	Disc Hub		1
506	SMH-506B	Ratchet Gear		1
507	SMH-507B	Friction Disc		2
508	SMH-508B	Check Washer		1
510	SMH-510B	Pawl		2
511	SMH-511B	Pawl Pin		2
512	SMH-512B	Pawl Spring		2
514	SMH-514B	Snap Ring	8	1
604	SMH-604B	Chain Stop Bolt Assembly		1
940	SMH-940B	Name Plate	1 Ton	1
	SMHX-940B	Name Plate (Overload Protection)	1 Ton	1
941	SMH-941A	Rivet	2.5 x 6	4
942	187728	Hand Chain*	Ø 5mm	1
943	187725	Load Chain* (1-Ton)	Ø 6.3mm	1

* Specify required chain length when ordering.