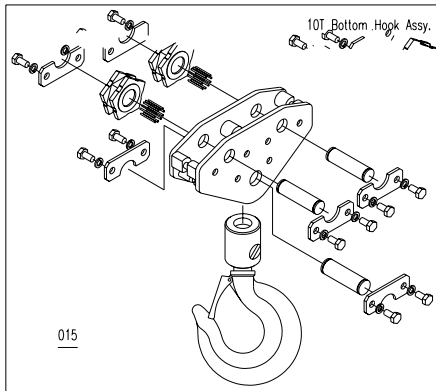
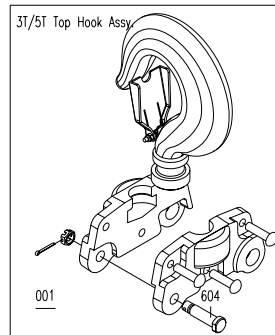
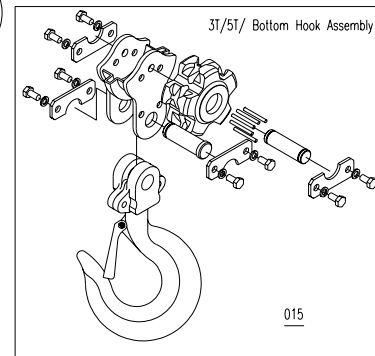
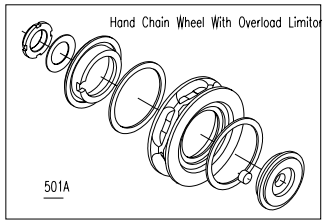
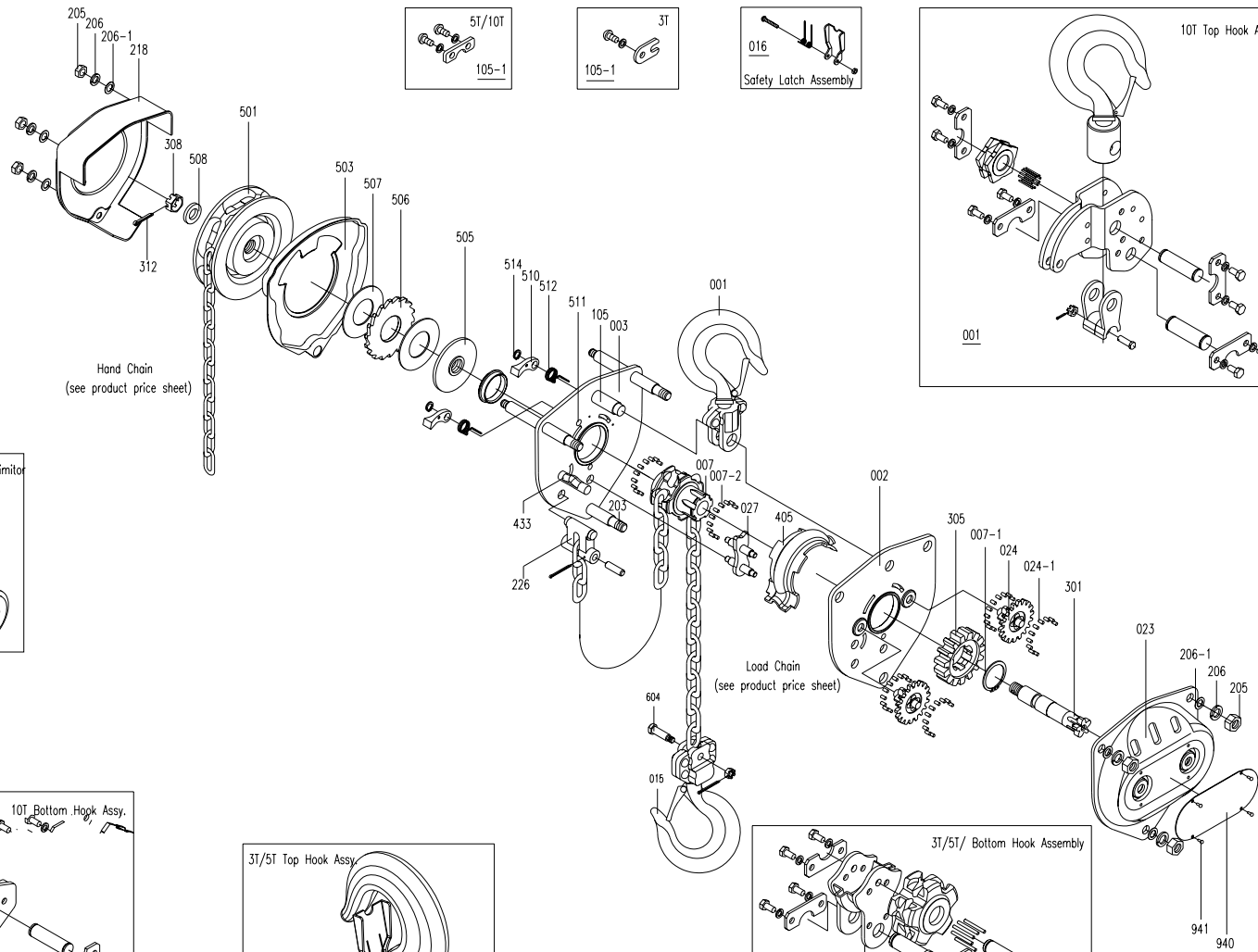
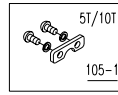
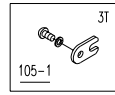
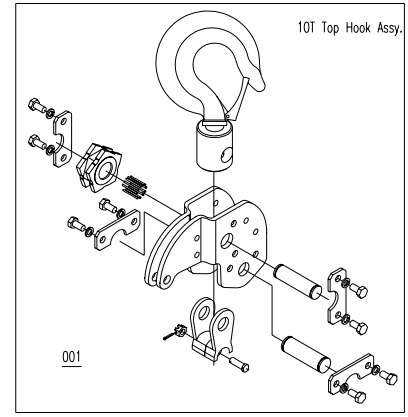


Parts SMH Chain Hoist



Parts List: 1/2-Ton SMH Chain Hoist

Index No.	Part No.	Description	Size	Qty
001	SMH-001A	Top Hook Assy		1
002	SMH-002A	Gear Side Plate Assy		1
003	SMH-003A	Wheel Side Plate Assy		1
007	SMH-007A	Load Sheave		1
007-1	SMH-007-1A	Snap Ring	28	1
007-2	SMH-007-2A	Roller Kit	58 Rollers	1
015	SMH-015A	Bottom Hook Assy		1
016	SMH-016A	Safety Latch Assy		2
023	SMH-023A	Gear Case Assy		1
024	SMH-024A	Spur Gear Assy		2
024-1	SMH-024-1A	Roller Kit	11 Rollers	4
027	SMH-027A	Stripper Assy		1
105	SMH-105A	TOP Top Hook Pin		1
203	SMH-203A	Stay Bolt		3
205	SMH-205A	Cover Nut		6
206	SMH-206A	Lock Washer		6
206-1	SMH-206-1A	Flat Washer		6
218	SMH-218A	Hand Wheel Cover		1
226	SMH-226A	Anchor Plate		1
301	SMH-301A	Drive Shaft		1
305	SMH-305A	Load Gear		1
308	SMH-308A	Castle Nut		1
312	SMH-312A	Split Pin	2.5x20	1
405	SMH-405A	Load Sheave Cover		1
433	SMH-433A	Load Sheave Cover Pin		1
501	SMH-501A	Hand Chain Wheel		1
503	SMH-503A	Brake Cove		1
505	SMH-505A	Disc Hub		1
506	SMH-506A	Ratchet Gear		1
507	SMH-507A	Friction Disc		2
508	SMH-508A	Check Washer		1
510	SMH-510A	Pawl		2
511	SMH-511A	Pawl Pin		2
512	SMH-512A	Pawl Spring		2
604	SMH-604A	Chain Stop Bolt Assy		1
940	SMH-940A	Name Plate	1/2 Ton	1
941	SMH-941A	Rivet	2.5x6	4
942	187728	Hand Chain*	Ø 5mm	1
943	187721	Load Chain* (1-Ton)	Ø 5mm	1