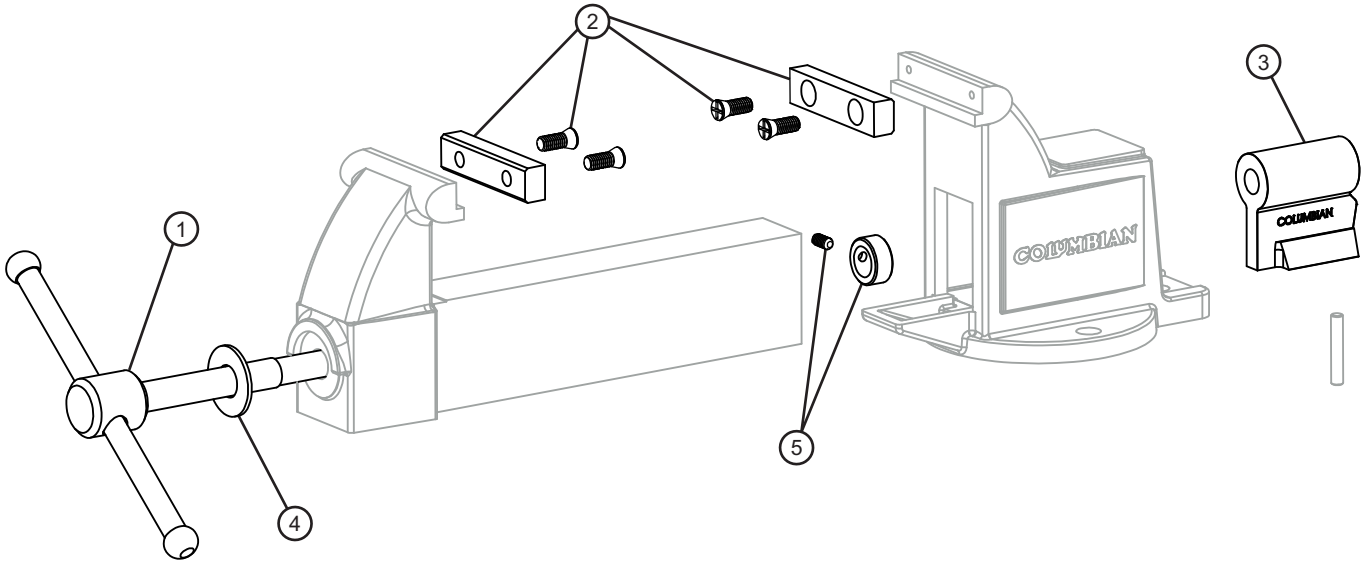




**504 1/2 M3 MACH. VISE (11/86) (TEXT) - Parts Diagram**

4-1/2" Jaw Width, 7" Jaw Opening, 4-1/8" Jaw Depth

Stock #: 10104 Model #: 504 1/2 M3



#	Part	Description
1	10104S23	Spindle & Handle Assembly
2	10104S40	Serrated Jaw Inserts w/ Screws
3	10103S04	Spindle Nut
4	10103S24	Spindle Head Washer
5	10103S25	Collar & Set Screw