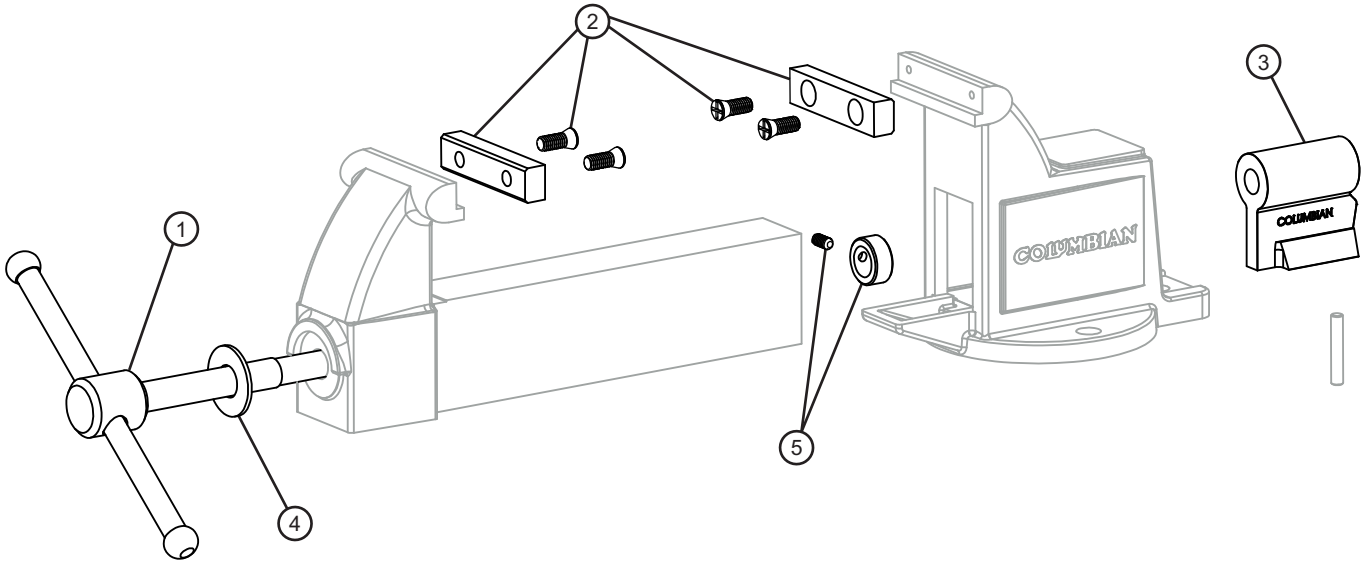




504M3 MACHINIST VISE (TEXT) - Parts Diagram

4" Jaw Width, 6" Jaw Opening, 3-5/8" Jaw Depth

Stock #: 10103 Model #: 504M3



#	Part	Description
1	10103S23	Spindle & Handle Assembly
2	10103S40	Serrated Jaw Inserts w/ Screws
3	10103S04	Spindle Nut
4	10103S24	Spindle Head Washer
5	10103S25	Collar & Set Screw