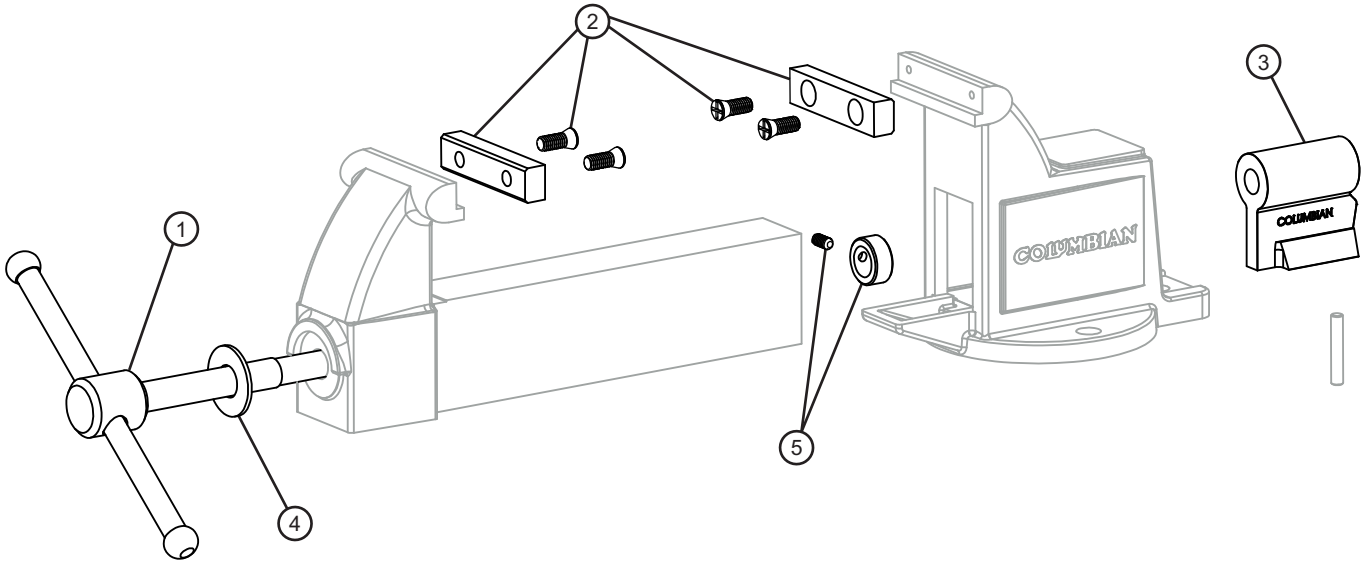




503-1/2M3 MACHINIST VISE (TEXT) - Parts Diagram

3-1/2" Jaw Width, 5" Jaw Opening, 3-1/4" Jaw Depth

Stock #: 10102 Model #: 503-1/2M3



#	Part	Description
1	10102S23	Spindle & Handle Assembly
2	10102S40	Serrated Jaw Inserts w/ Screws
3	10102S04	Spindle Nut
4	10102S24	Spindle Head Washer
5	10102S25	Collar & Set Screw