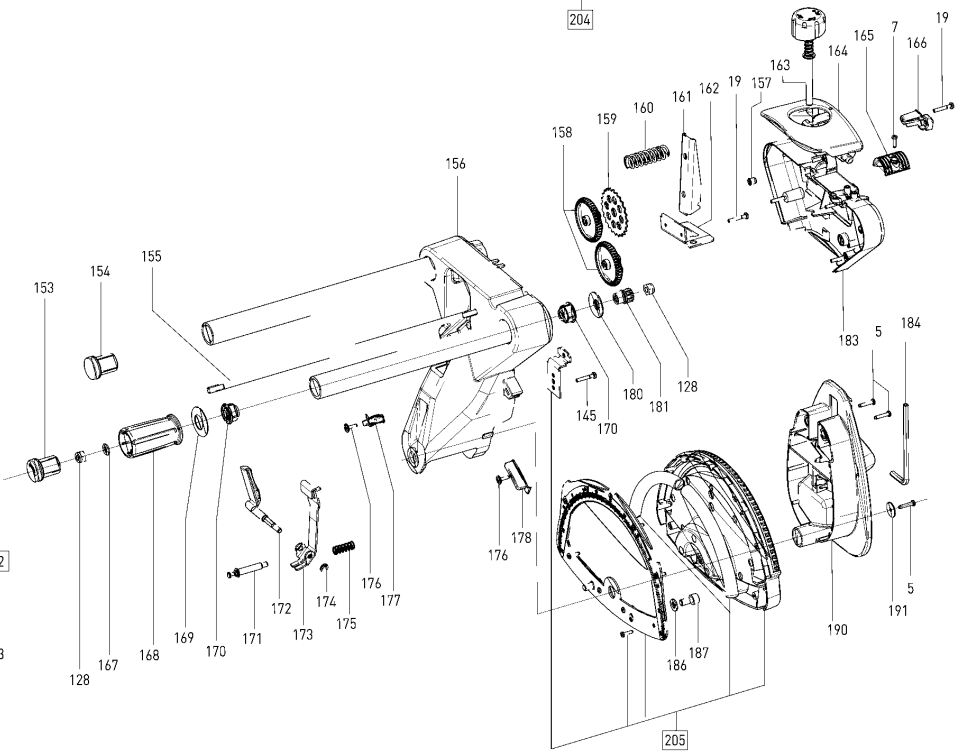
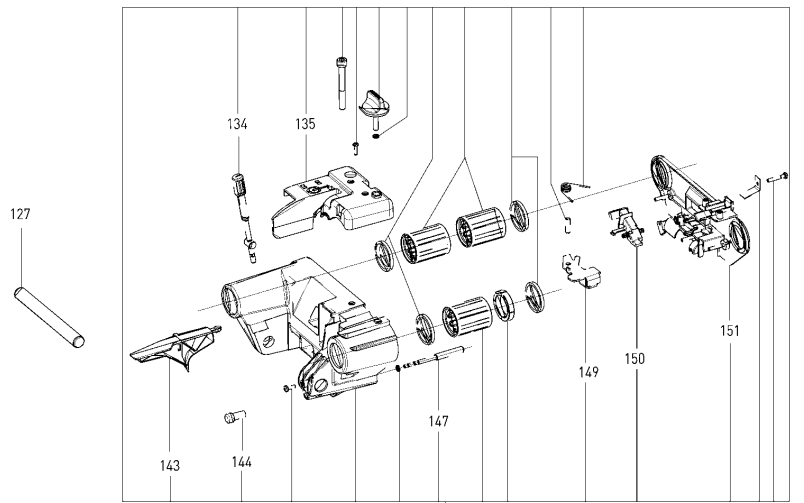
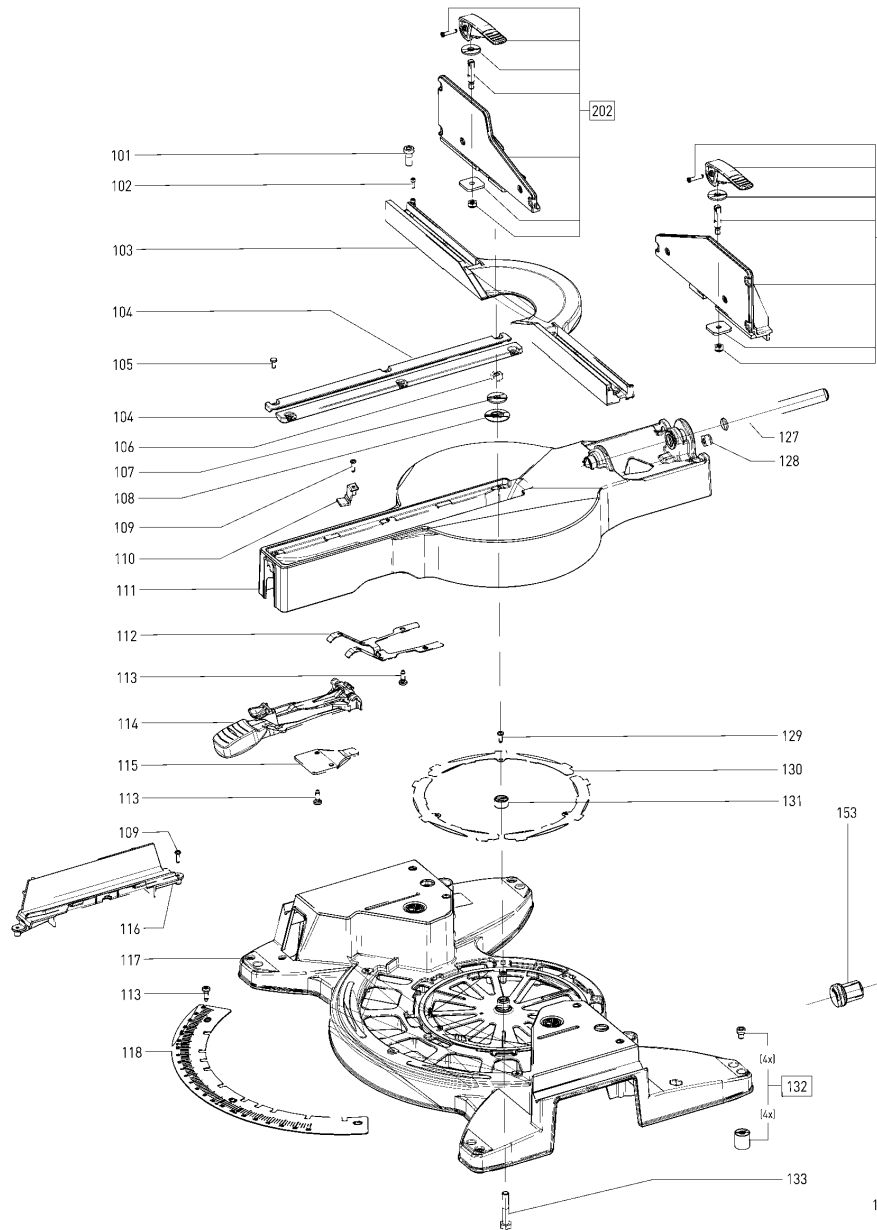


10037846 - KS 120 EB 120V



<b>Pos</b>	<b>Part No.</b>	<b>Description</b>	<b>Quantity</b>
2	494970	Field assembly 120V-230V	1
3	494298	Switch modul 110-120V	1
4	471527	Mains cable USA	1
5	228567	Raised-head screw 4,0 x 20 mm	14
7	400468	Raised-head screw 3,5 x 14 mm	2
11	10037691	Pistol stock	1
12	470772	Leg spring	1
13	10037680	Dust extraction attachment	1
14	709050	Draw spring	1
16	473432	Band	1
17	10037697	Protective cover	1
18	497504	Swivel lever	1
19	400928	Raised-head screw M4 x 25	6
22	470717	Lens	1
24	228738	Raised-head screw M4 x 10	5
25	471209	Holding plate	1
26	470647	Bracket	1
27	473479	Catch	1
28	473480	Plate spring	1
29	400695	Raised-head screw 4,0 x 25 mm	1
30	203889	Extractor connector	1
31	471316	Apron	1
32	471315	Clamp	1
33	470762	Torsion spring	1
34	470646	Lock-out mechanism	1
35	471448	Lever	1
36	470648	Rotary knob	1
37	470978	Pressure spring	2
38	470767	Detent lever	1
39	10037578	Pistol stock	1
40	219057	Cheese head screw M5 x 50	5
41	10015550	Special screw	1
44	228569	Raised-head screw M4 x 20	3
47	470760	O-ring	1
49	205177	Gear	1
50	474284	Pressure spring	1
51	400994	Bush	2
52	475620	Clamp	2
53	470951	Cap USA	1
54	219047	Raised-head screw 3,5 x 8 mm	2
55	494785	Brush holder with brushes (pair)	1
58	470950	Motor housing USA	1
59	401525	Ball bearing	1
60	442415	Raised-head screw 4,0 x 70 mm	2
61	470649	Pusher	1
62	204209	Electronic	1
68	789575	Ball bearing	1
70	478302	Bearing sleeve	1

75	454296	Raised-head screw 3,5 x 12 mm	1
76	10018118	Roller	1
77	470776	Buffer	1
78	470645	Pusher	1
79	10009631	Leg spring	1
80	471428	Bolt	1
81	200001	Distance bush	1
82	471588	Label USA	1
83	708895	Label	1
84	708895	Label	1
101	774347	Cheese head screw M8 x 20	4
102	400934	Cheese head screw M3 x 10	2
103	10030558	Stop	1
104	470657	Table top insert	2
105	228733	Raised-head screw M4 x 10	6
106	200719	Hexagon nut M8	1
107	400996	Washer 8,4 mm	1
108	479669	Spring washer	1
109	228584	Raised-head screw 3,5 x 14 mm	3
110	470660	Indicator	1
111	494968	Base	1
112	470664	Catch	1
113	400709	Screw	7
114	494517	Lever	1
115	470665	Spring plate	1
116	471318	Cover	1
117	10027727	Frame	1
118	470663	Scale	1
127	10016971	Bolt	2
128	200735	Hexagon nut M8	4
130	470662	Glide plate	3
131	473215	Bush	1
132	494780	Buffer (4 pcs.)	1
133	400937	Hexagon screw M8 x 45	1
134	495266	Depth stop	1
135	470640	Clamping plate	1
143	473656	End stop	1
144	470639	Knob	1
147	470514	Pin	1
149	470509	Depth stop	1
150	470631	Pusher	1
151	470630	Cover	1
153	471192	Plug	1
154	501549	Plug	1
155	470561	Threaded rod	1
156	495778	Swivel arm	1
157	400287	Pressure clamping element	1
158	470886	Gear	2
159	471313	Adjusting Knob	1
160	471024	Pressure spring	1
161	470508	Brake lever	1

162	470510	Bearing sheet	1
163	494172	Rotary knob	1
164	470634	Clamping lever	1
165	470641	Cable clamp	1
166	470636	Holder	1
167	471193	Washer	1
168	470632	Knob lever	1
169	469785	Spring washer	1
170	470560	Bush	2
171	470515	Locking bolt	1
172	494171	Swivel lever	1
173	470518	Hook	1
174	208623	Washer	1
175	471026	Pressure spring	1
176	400981	Round-head screw 3,5 x 14 mm	2
177	470627	Indicator	1
178	470628	Indicator	1
180	761692	Spring washer	1
181	470885	Pinion	1
183	470635	Cover	1
184	473699	Spanner	1
186	228601	Washer 8,4 mm	2
187	200201	Cheese head screw M8 x 16	2
190	470642	Cable holder	1
191	400929	Washer	1
193	200214	Cover	1
196	200210	Flange	1
197	200215	Apron	1
199	200200	Laser	2
200	200279	Flexible lead	1
201	203552	End shield	1
202	204073	Stop	1
203	204074	Stop	1
204	200199	Cart	1
205	200202	Swiveling segment	1