



SERVICE PARTS LIST

BULLETIN NO.
54-08-1147

SPECIFY CATALOG NO. AND SERIAL NO. WHEN ORDERING PARTS		REVISED BULLETIN 54-08-1146	DATE Oct '87
1/2" REVERSING DRILL			
CATALOG NO. 1001-1	STARTING SERIAL NO. 491-193500	WIRING INSTRUCTION 58-01-0212	

EXAMPLE:

00
0

Component Parts (Small #) Are Included
When Ordering The Assembly Part (Large #).

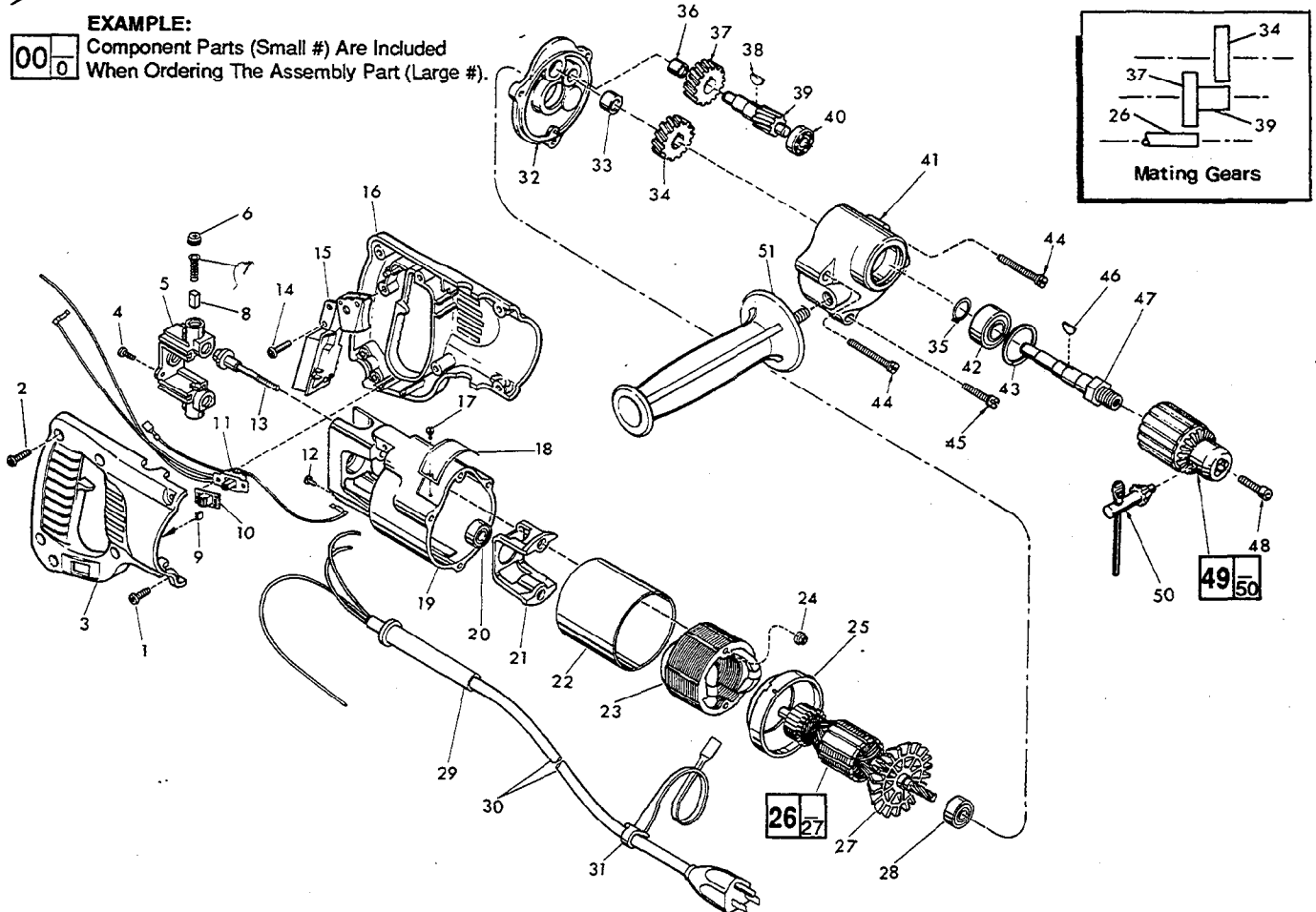


FIG.	PART NO.	DESCRIPTION OF PART	NO. REQ.	FIG.	PART NO.	DESCRIPTION OF PART	NO. REQ.		
★	1	06-82-5316	8-32x1/2" Slot Pan Hd. Torx Screw	(4)	30	22-64-0155	Cord Set	(1)	
★	2	06-82-7260	7-18 x 5/8" Pan Hd. Plastite Torx Screw	(5)	31	48-66-4040	Key Holder	(1)	
★	3	31-44-1466	Right Handle Half	(1)	★	32	28-28-0586	Diaphragm	(1)
	4	06-95-0075	6-32 x 3/8" Truss Hd. Tapatite Screw	(2)	33	02-50-2440	Needle Bearing	(1)	
	5	22-22-1330	Brush Holder Assembly	(1)	34	32-75-1601	Spindle Gear	(1)	
	6	23-44-0190	Brush Retaining Cap	(2)	35	34-60-1200	Retaining Ring	(1)	
	7	23-52-0160	Brush Spring	(2)	36	02-50-1640	Needle Bearing	(1)	
	8	22-16-0275	Carbon Brush	(2)	37	32-40-1241	Intermediate Gear	(1)	
★	9	42-38-0240	Bumper	(2)	38	06-42-0800	Woodruff Key	(1)	
★	10	31-12-0195	Switch Cap	(1)	39	36-66-2001	Intermediate Shaft	(1)	
★	11	23-66-1453	Switch Assembly	(1)	40	02-04-0640	Ball Bearing	(1)	
	12	06-95-5150	6-32 x 1/4" Hex Hd. Taptite Sems	(1)	★	41	28-14-1910	Gear Case	(1)
	13	06-81-1058	8-32 x 2.19 Field Bolt	(2)	42	02-04-1536	Ball Bearing	(1)	
★	14	06-82-7260	7-18 x 5/8" Pan Hd. Plastite Torx Screw	(1)	43	34-80-2500	Retaining Ring	(1)	
★	15	23-66-0167	On-Off Switch	(1)	★	44	06-82-5502	8-32 x 2-1/4" Pan Taptite Torx	(2)
★	16	31-44-1471	Left Handle Half	(1)	★	45	06-82-5404	8-32 x 1-3/8" Pan Taptite Torx	(1)
	17	06-85-0200	Nameplate Screw	(2)	46	06-42-1600	Woodruff Key	(1)	
★	18	12-99-0043	Nameplate Blank	(1)	47	38-50-5470	Spindle	(1)	
	19	28-50-6201	Motor Housing	(1)	★	48	06-75-3150	1/4-20 x 1 L.H. Skt. Cap Screw	(1)
	20	02-04-0845	Ball Bearing	(1)	49	48-66-1360	1/2" Chuck	(1)	
	21	31-55-0030	Coil Shield	(1)	50	48-66-3280	Chuck Key	(1)	
	22	23-16-0456	Field Insulator	(1)	51	43-62-0875	Side Handle	(1)	
	23	18-30-0200	120 V. Field	(1)					
	24	06-57-2975	8-32 Flexlock Hex Nut	(2)					
	25	31-05-0050	Baffle	(1)					
	26	16-30-0325	120 V. Armature	(1)					
	27	22-84-0530	Fan Assembly	(1)					
	28	02-04-0911	Ball Bearing	(1)					
	29	44-76-0150	Cord Protector	(1)					

LUBRICATION:
41 3-1/4 Oz. Type "A" Grease, 49-08-0800.