



173cc Electric Start Gasoline Engine Engine Parts Manual

 **WARNING**

CANCER AND REPRODUCTIVE HARM

www.P65Warnings.ca.gov.

(000393a)

The information in this manual is known to be accurate as of the date of release shown on the cover. However, engineering changes can occur without notice. To obtain the proper parts, be sure to use the serial number of the unit being serviced when ordering from this manual. Always refer to any part notes and changes before ordering. All other parts not shown in this manual can be found on Generac's exploded view drawings online on GENService at www.generac.com.

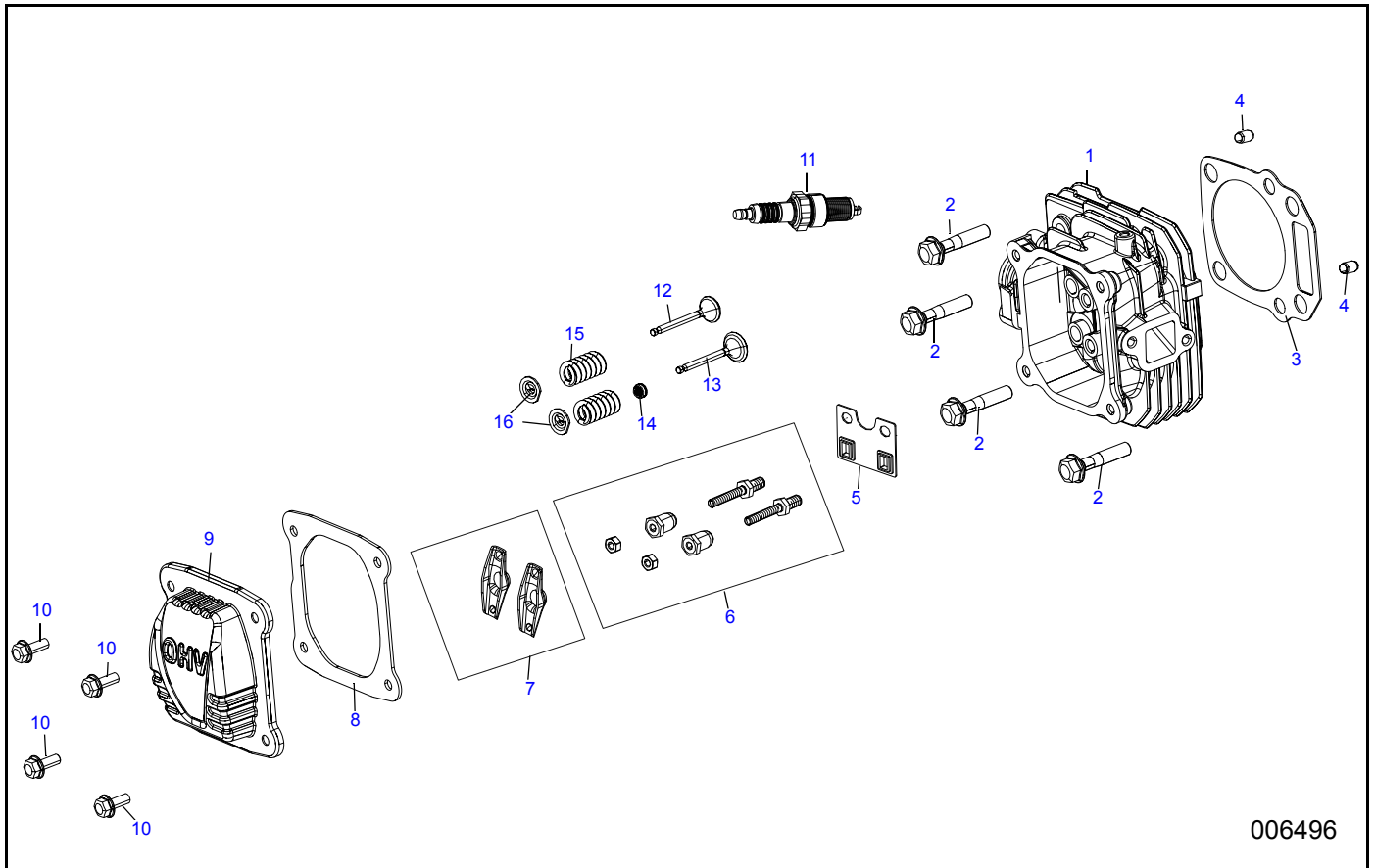
www.generac.com or 1-888-GENERAC

Service Parts

| | |
|--------------------------------------|-----------|
| CYLINDER HEAD | 1 |
| CRANKCASE | 2 |
| CRANKCASE COVER | 3 |
| STARTER ASSEMBLY | 4 |
| IGNITION ASSEMBLY | 5 |
| CARBURETOR /AIR CLEANER | 6 |
| CONTROL | 7 |
| FUEL TANK ASSEMBLY | 8 |
| MUFFLER ASSEMBLY | 9 |
| COVER | 10 |
| SHROUD | 11 |
| WIRE HARNESS | 12 |

Section 1 Service Parts

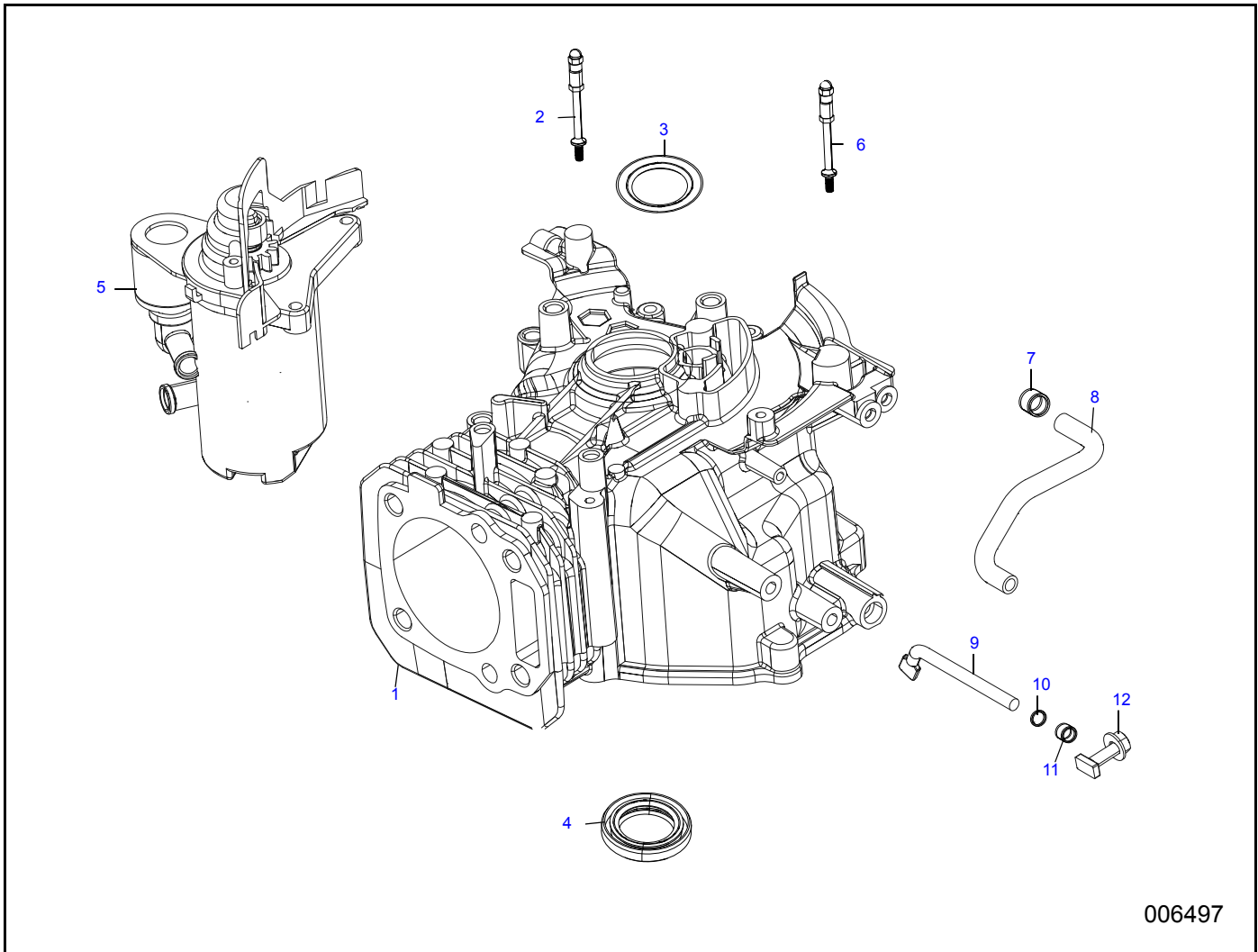
CYLINDER HEAD



006496

| Item | Part Number | Description | Qty. |
|------|-------------|--------------------------------|------|
| 1 | 10000031104 | CYLINDER HEAD | 1 |
| 2 | 10000006270 | BOLT (M6X50) | 4 |
| 3 | 10000031105 | CYLINDER HEAD GASKET | 1 |
| 4 | 10000031088 | DOWEL PIN | 2 |
| 5 | 10000031122 | PUSHROD GUIDE PLATE | 1 |
| 6 | 0071052SRV | ROCKER ARM ADJUSTER | 1 |
| 7 | 10000031123 | ROCKER ARM ASSEMBLY | 2 |
| 8 | 10000031089 | HEAD COVER GASKET | 1 |
| 9 | 10000031106 | VALVE COVER | 1 |
| 10 | 10000006865 | BOLT (M6X12) (not shown) | 5 |
| 11 | 0K20670117 | SPARK PLUG | 1 |
| 12 | 10000031150 | EXHAUST VALVE | 1 |
| 13 | 10000031142 | INTAKE VALVE | 1 |
| 14 | 10000031107 | INTAKE VALVE SEAL | 1 |
| 15 | 0070773SRV | VALVE SPRING | 2 |
| 16 | 0070774SRV | VALVE SPRING RETAINER | 2 |
| 17 | 10000031099 | TEMPERATURE SENSOR (not shown) | 1 |

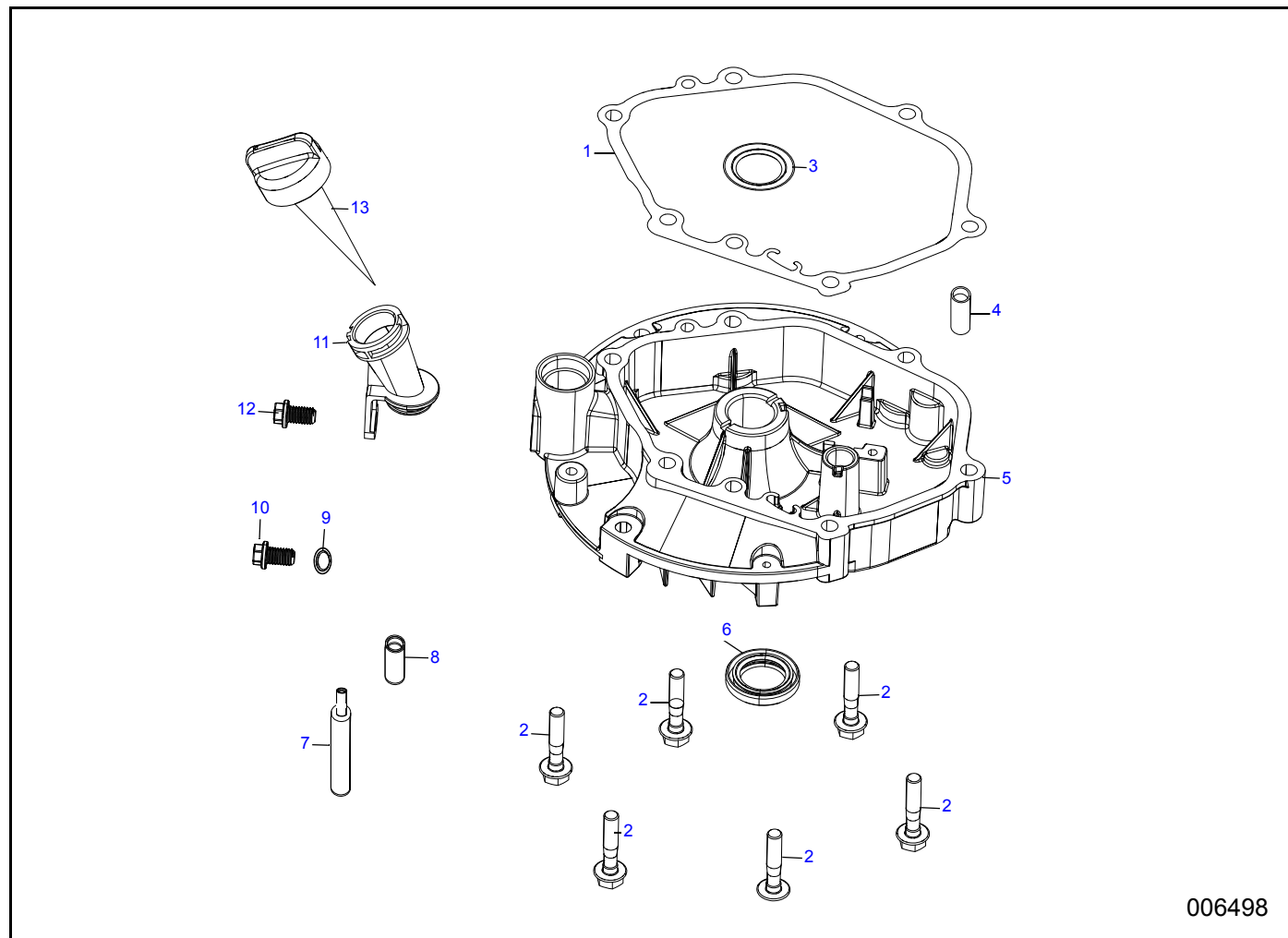
CRANKCASE



006497

| Item | Part Number | Description | Qty. |
|------|-------------|----------------------------|------|
| 1 | N/A | CRANKCASE | 1 |
| 2 | 10000031152 | RECOIL STARTER BOLT/STUD | 1 |
| 3 | 10000031108 | OIL SEAL | 1 |
| 4 | N/A | BALL BEARING | 1 |
| 5 | 10000031144 | STARTING MOTOR ASSEMBLY | 1 |
| 6 | 10000031115 | RECOIL STARTER BOLT/STUD | 1 |
| 7 | 10000031125 | FUEL LINE CLIP Φ 11.5 | 1 |
| 8 | 10000031170 | BREATHER TUBE | 1 |
| 9 | N/A | SHAFT, GOVERNOR ARM | 1 |
| 10 | N/A | WASHER, GOVERNOR ARM SHAFT | 1 |
| 11 | 10000031171 | GOVERNOR ARM SHAFT SEAL | 1 |
| 12 | 10000031172 | LOCK PIN | 1 |
| | 0070788SRV | PUSHROD (not shown) | 2 |

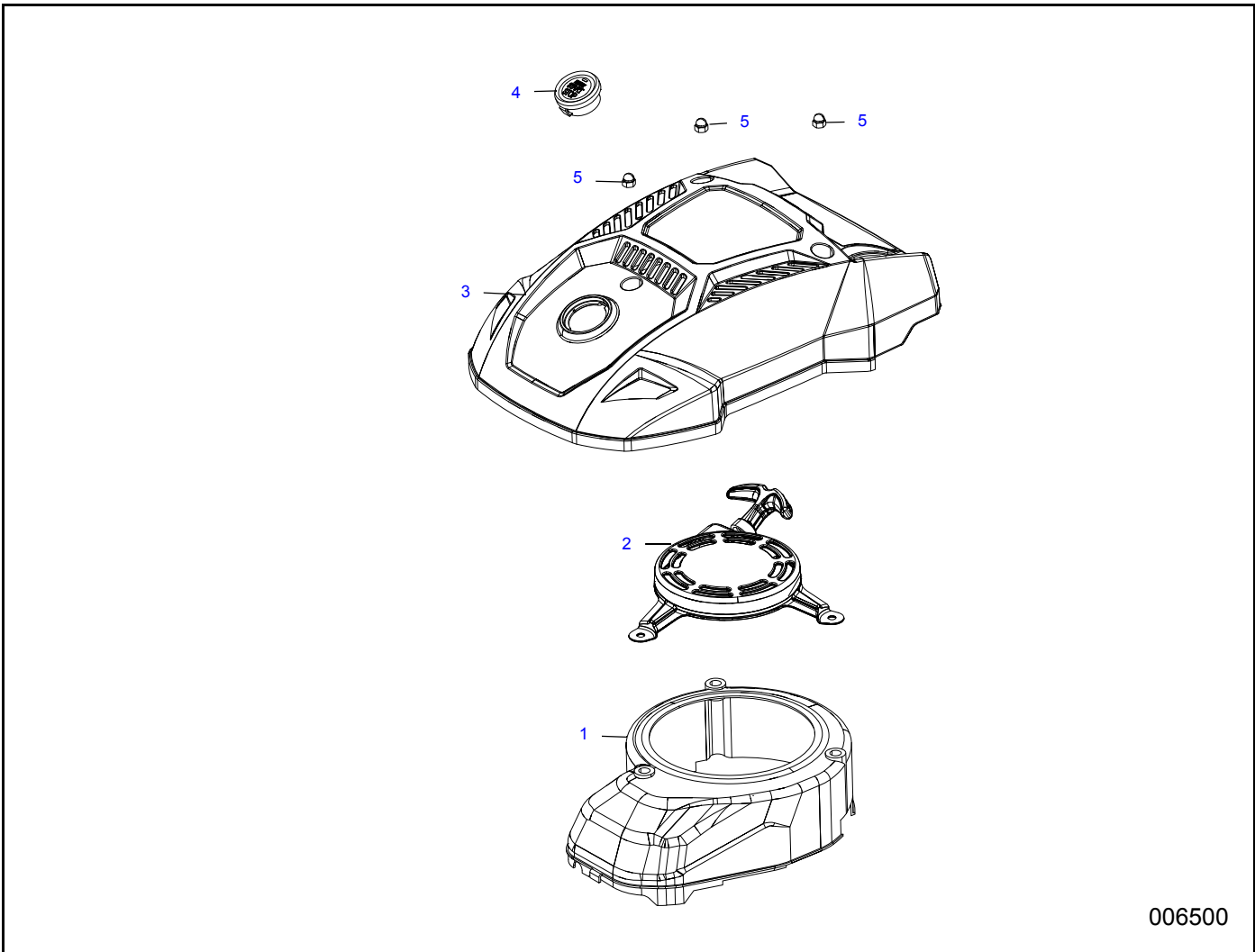
CRANKCASE COVER



006498

| Item | Part Number | Description | Qty. |
|------|-------------|-----------------------------|------|
| 1 | 10000031161 | CASECOVER GASKET | 1 |
| 2 | 10000006270 | BOLT M8X50 | 6 |
| 3 | N/A | WASHER,CRANKSHAFT | 1 |
| 4 | 10000031116 | CASE COVER DOWEL PIN | 1 |
| 5 | 10000031126 | CRANKCASE COVER ASSEMBLY | 1 |
| 6 | 10000031148 | OIL SEAL | 1 |
| 7 | 10000031387 | OIL PIPE | 1 |
| 8 | 10000031173 | CASE COVER DOWEL PIN | 1 |
| 9 | 10000004462 | DRAIN PLUG WASHER | 1 |
| 10 | 10000004470 | DRAIN PLUG BOLT M10×1.25×15 | 1 |
| 11 | 10000031118 | OIL FILLER EXTENTION | 1 |
| 12 | 10000027668 | BOLT M8X20 | 1 |
| 13 | 10000031134 | DIPSTICK | 1 |
| 14 | 10000006865 | BOLT M6X12 (NOT SHOWN) | 1 |

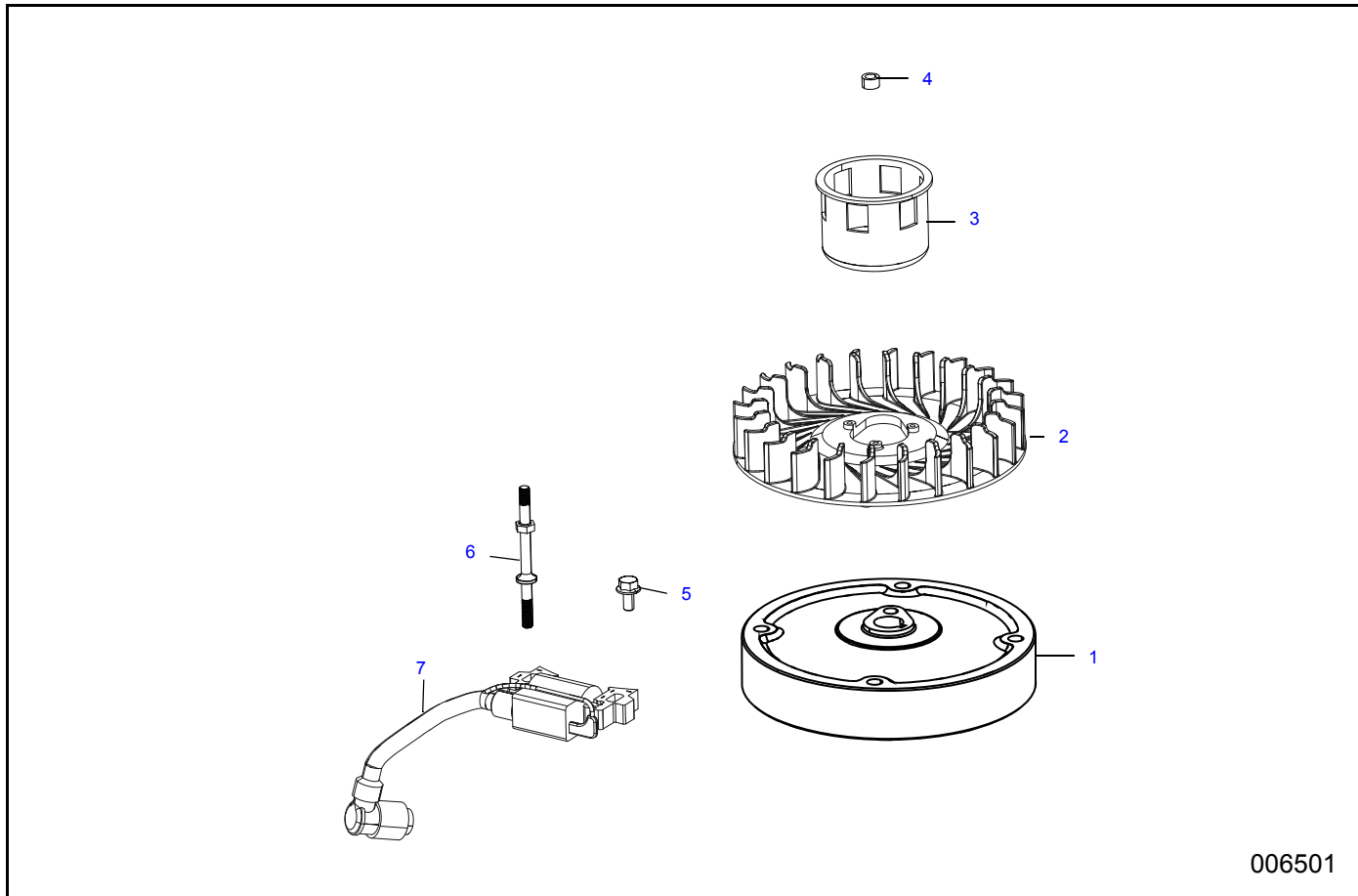
STARTER ASSEMBLY



006500

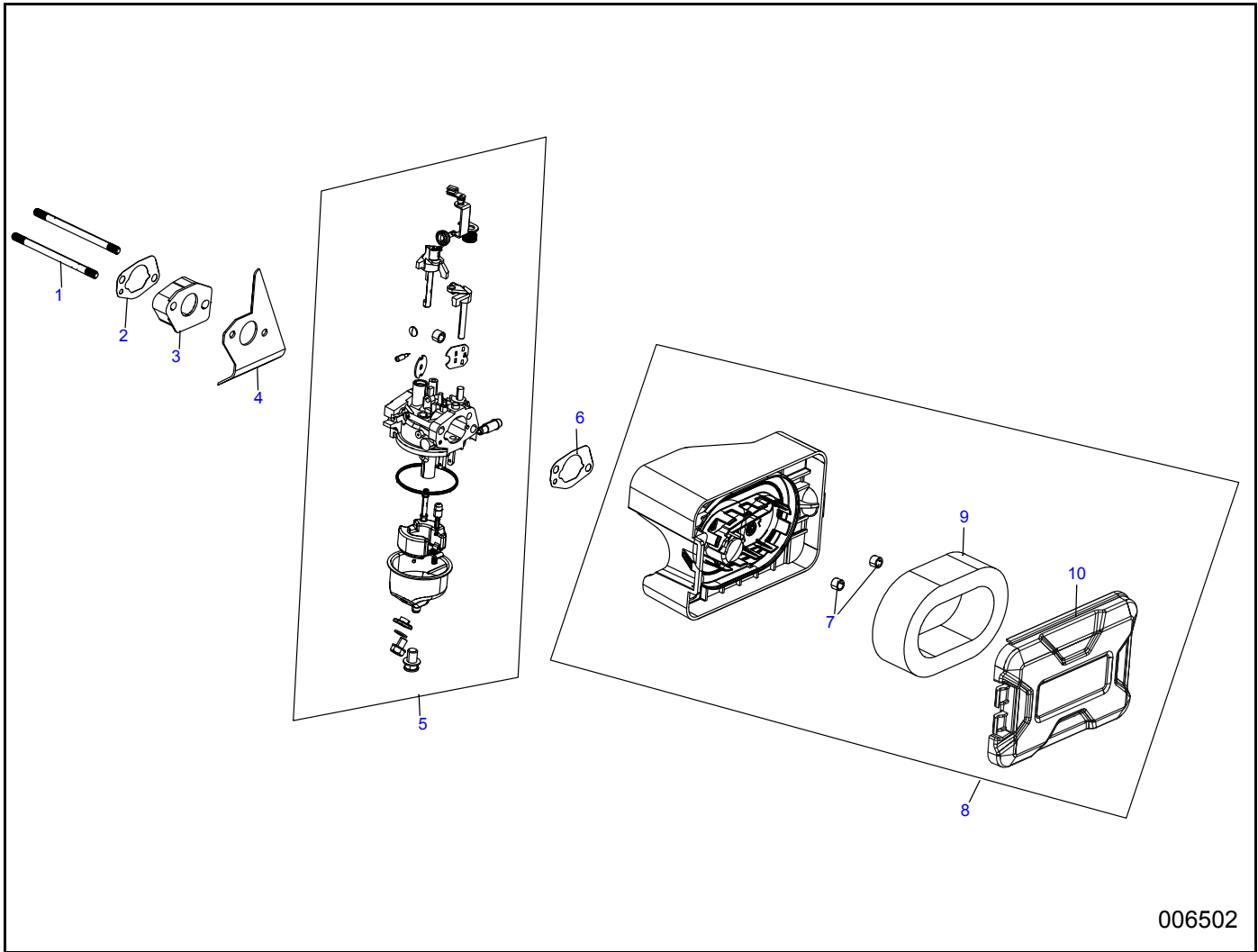
| Item | Part Number | Description | Qty. |
|------|-------------|-------------------------|------|
| 1 | 10000031135 | BLOWER HOUSING | 1 |
| 2 | 10000031468 | RECOIL STARTER ASSEMBLY | 1 |
| 3 | 10000031508 | ENGINE COVER | 1 |
| 4 | 10000031175 | START/STOP SWITCH | 1 |
| 5 | 10000031176 | NUT M6 | 3 |

IGNITION ASSEMBLY



| Item | Part Number | Description | Qty. |
|------|-------------|-------------------------|------|
| 1 | 10000031178 | FLYWHEEL ASSEMBLY | 1 |
| 2 | 10000031136 | COOLING FAN | 1 |
| 3 | 10000031183 | PULLEY,STARTER | 1 |
| 4 | 10000031179 | NUT M14 | 1 |
| 5 | 10000031233 | BOLT M6X30 | 1 |
| 6 | 10000031194 | BOLT STUD,IGNITION COIL | 1 |
| 7 | 10000031224 | IGNITION COIL ASSY | 1 |

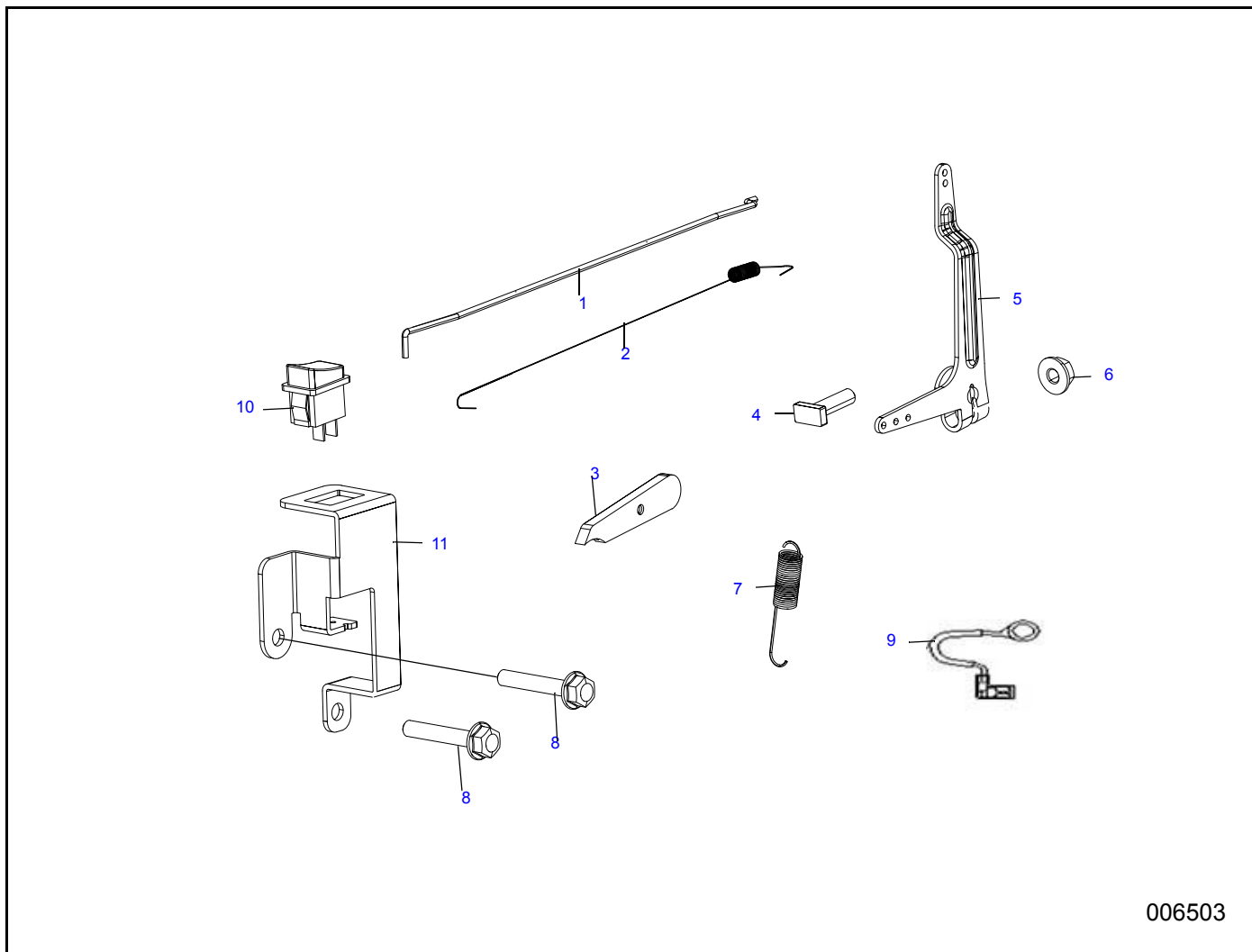
CARBURETOR /AIR CLEANER



006502

| Item | Part Number | Description | Qty. |
|------|-------------|----------------------|------|
| 1 | 10000031234 | STUD BOLT | 2 |
| 2 | 10000031214 | INTAKE GASKET | 1 |
| 3 | 10000031215 | CARBURETOR INSOLATOR | 1 |
| 4 | 10000031241 | CARBURETOR GASKET | 1 |
| 5 | 10000031188 | CARBURETOR | 1 |
| 6 | 10000031225 | GASKET, AIR CLEANER | 1 |
| 7 | 10000031242 | NUT M6 | 2 |
| 8 | 10000031206 | AIR CLEANER ASSEMBLY | 1 |
| 9 | 10000031217 | AIR FILTER ELEMENT | 1 |
| 10 | 10000031243 | AIR FILTER COVER | 1 |

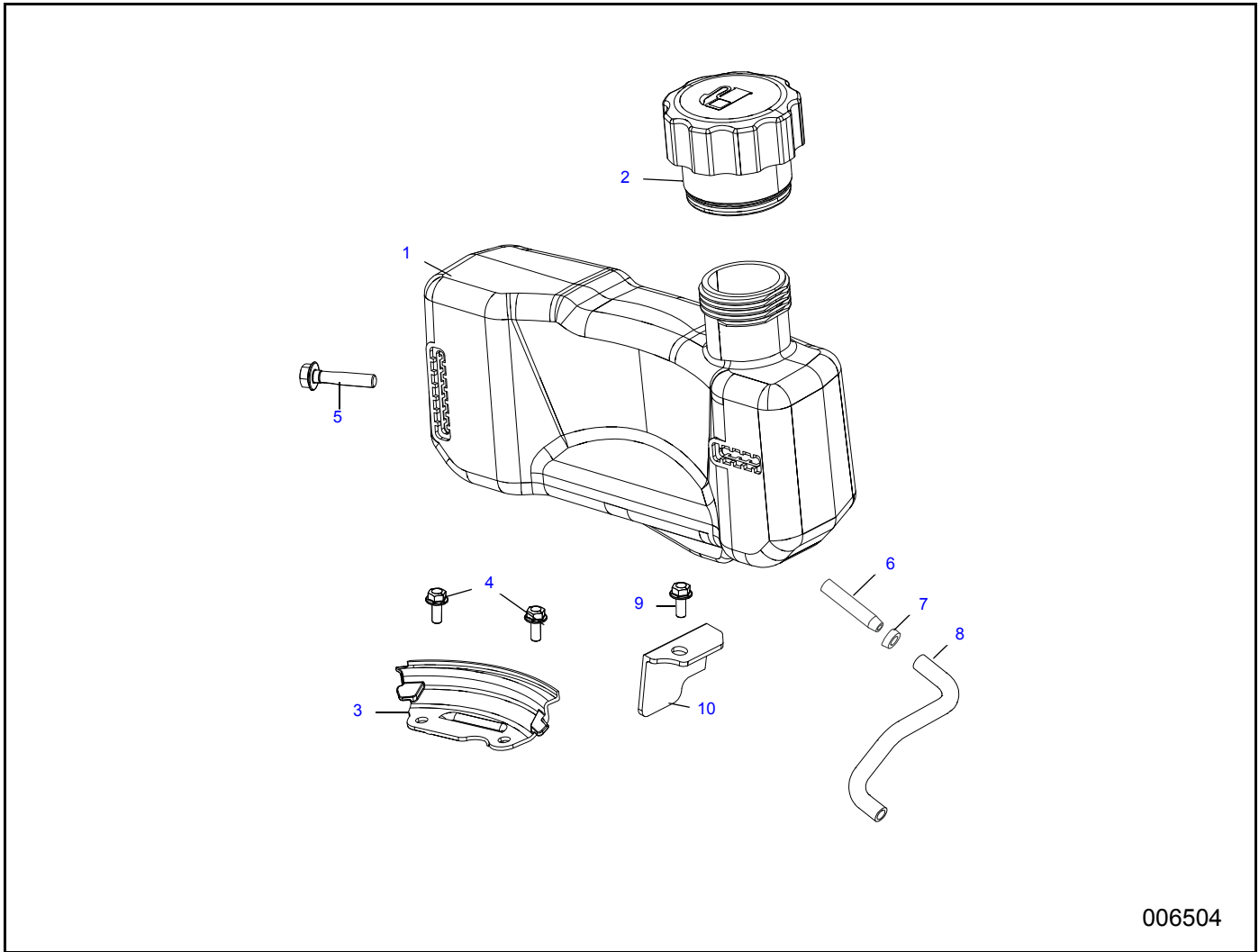
CONTROL



006503

| Item | Part Number | Description | Qty. |
|------|-------------|-------------------------|------|
| 1 | 10000031189 | GOVERNOR ROD | 1 |
| 2 | 10000031227 | THROTTLE RETURN SPRING | 1 |
| 3 | 10000004451 | WIRE HARNESS CLIP | 1 |
| 4 | 10000004403 | GOVERNOR ARM BOLT M6X21 | 1 |
| 5 | 10000031228 | GOVERNOR ARM | 1 |
| 6 | 10000031242 | NUT M6 | 1 |
| 7 | 10000031207 | GOVERNOR SPRING | 1 |
| 8 | 10000006865 | BOLT M6X12 | 2 |
| 9 | 10000031252 | SHUT DOWN WIRE | 1 |
| 10 | 10000031229 | SHUT DOWN SWITCH | 1 |
| 11 | 10000031251 | UPPER SHROUD ASSEMBLY | 1 |

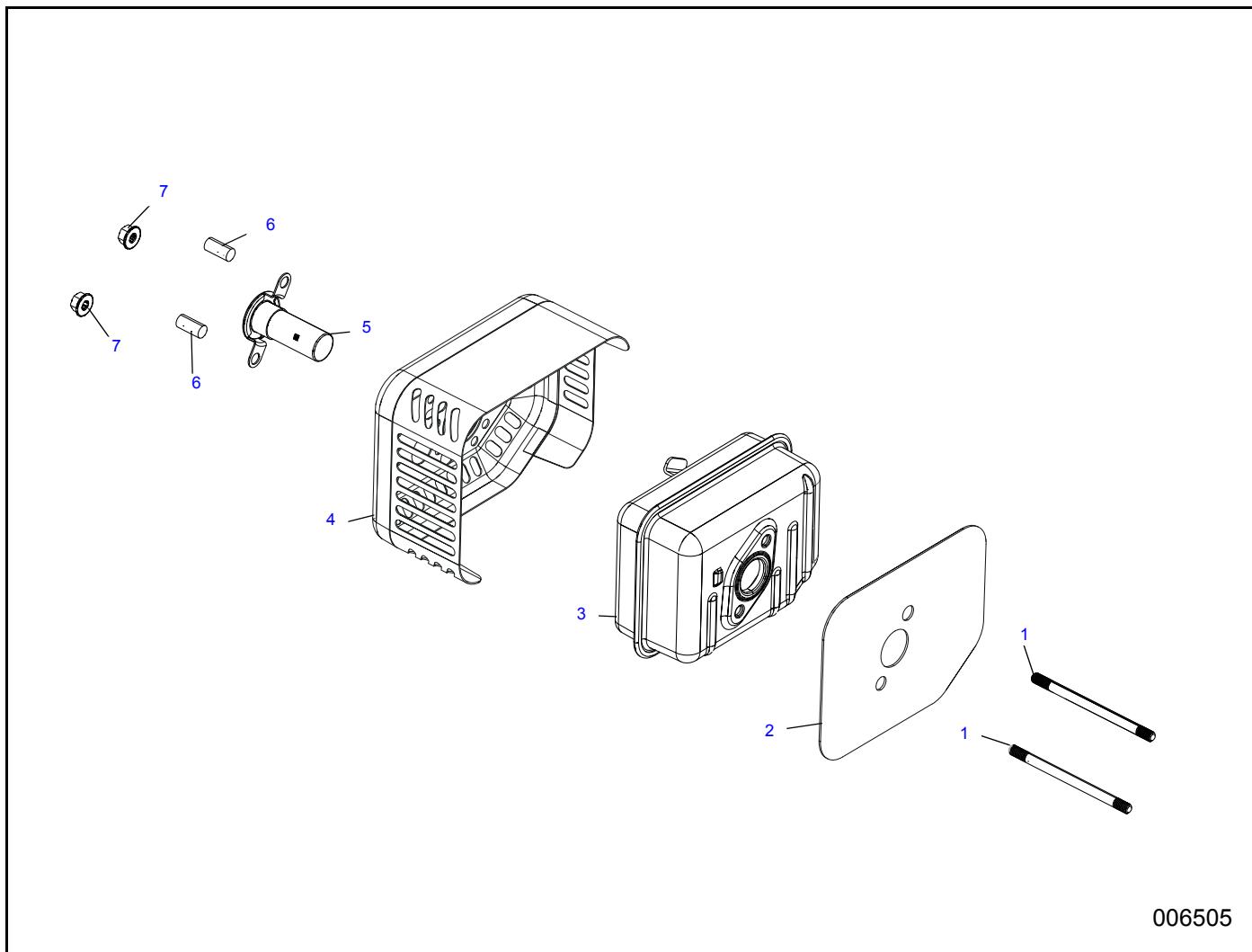
FUEL TANK ASSEMBLY



006504

| Item | Part Number | Description | Qty. |
|------|-------------|--|------|
| 1 | 10000031260 | FUEL TANK ASSEMBLY | 1 |
| 2 | 10000031236 | FUEL TANK CAP COMP | 1 |
| 3 | 10000031219 | SHROUD | 1 |
| 4 | 10000006865 | BOLT (M6X12MM) | 2 |
| 5 | 10000004488 | BOLT (M6X20MM) | 1 |
| 6 | 10000031244 | FILTER | 1 |
| 7 | 10000006330 | FUEL LINE CLIP Φ 10 | 1 |
| 8 | 10000031270 | FUEL LINE Φ 6 \times Φ 10 \times 290mm | 1 |
| 9 | 10000031237 | BOLT (M4X8MM) | 1 |
| 10 | 10000031209 | SHROUD | 1 |

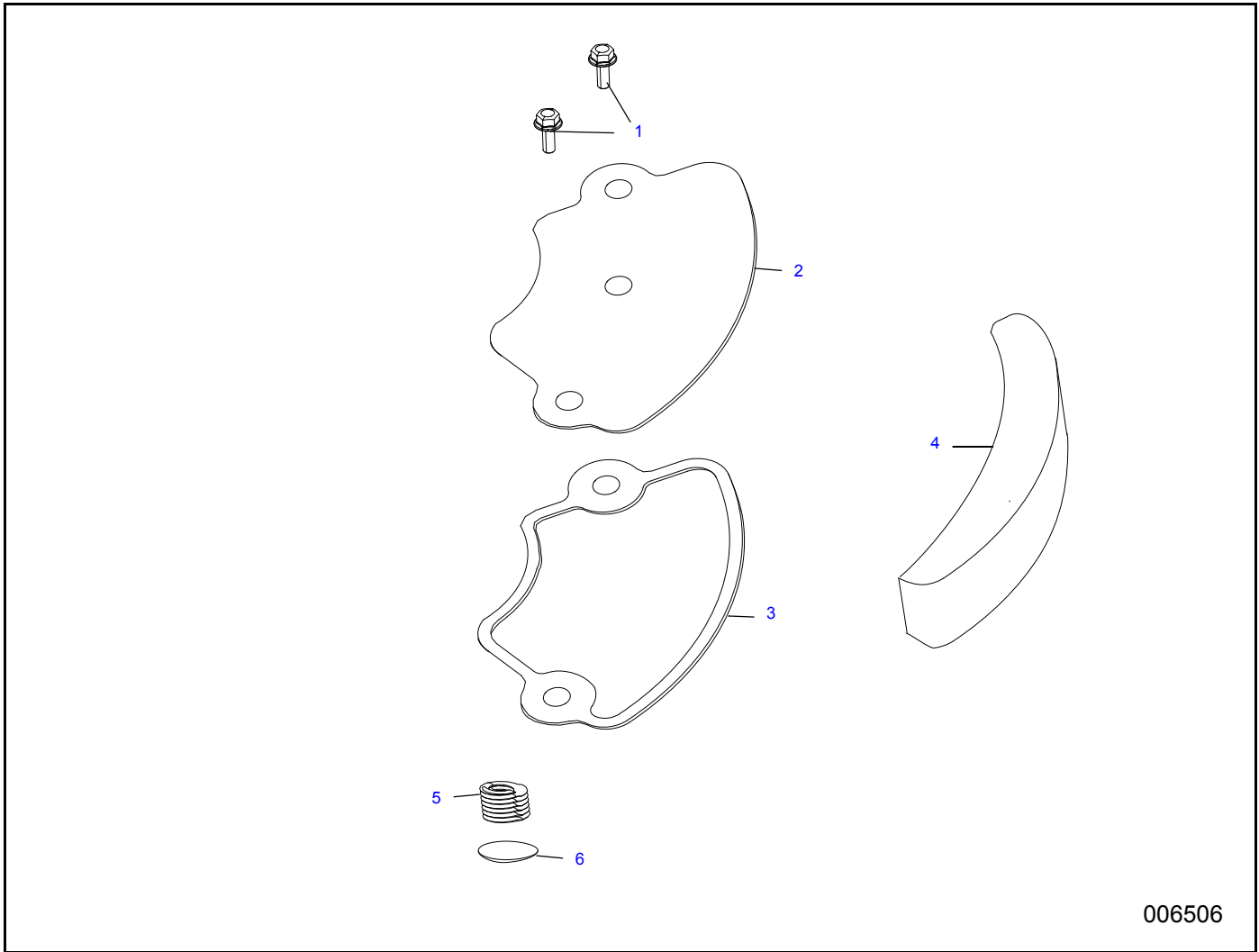
MUFFLER ASSEMBLY



006505

| Item | Part Number | Description | Qty. |
|------|-------------|----------------------|------|
| 1 | 1000006188 | STUD BOLT | 2 |
| 2 | 1000031282 | EXHAUST GASKET | 1 |
| 3 | 1000031261 | MUFFLER ASSEMBLY | 1 |
| 4 | 1000031272 | OUTER MUFFLER SHIELD | 1 |
| 5 | 1000018388 | SPARK ARRESTOR | 1 |
| 6 | 1000006235 | BOLT M6×12 | 2 |
| 7 | 1000031283 | NUT M6 | 2 |

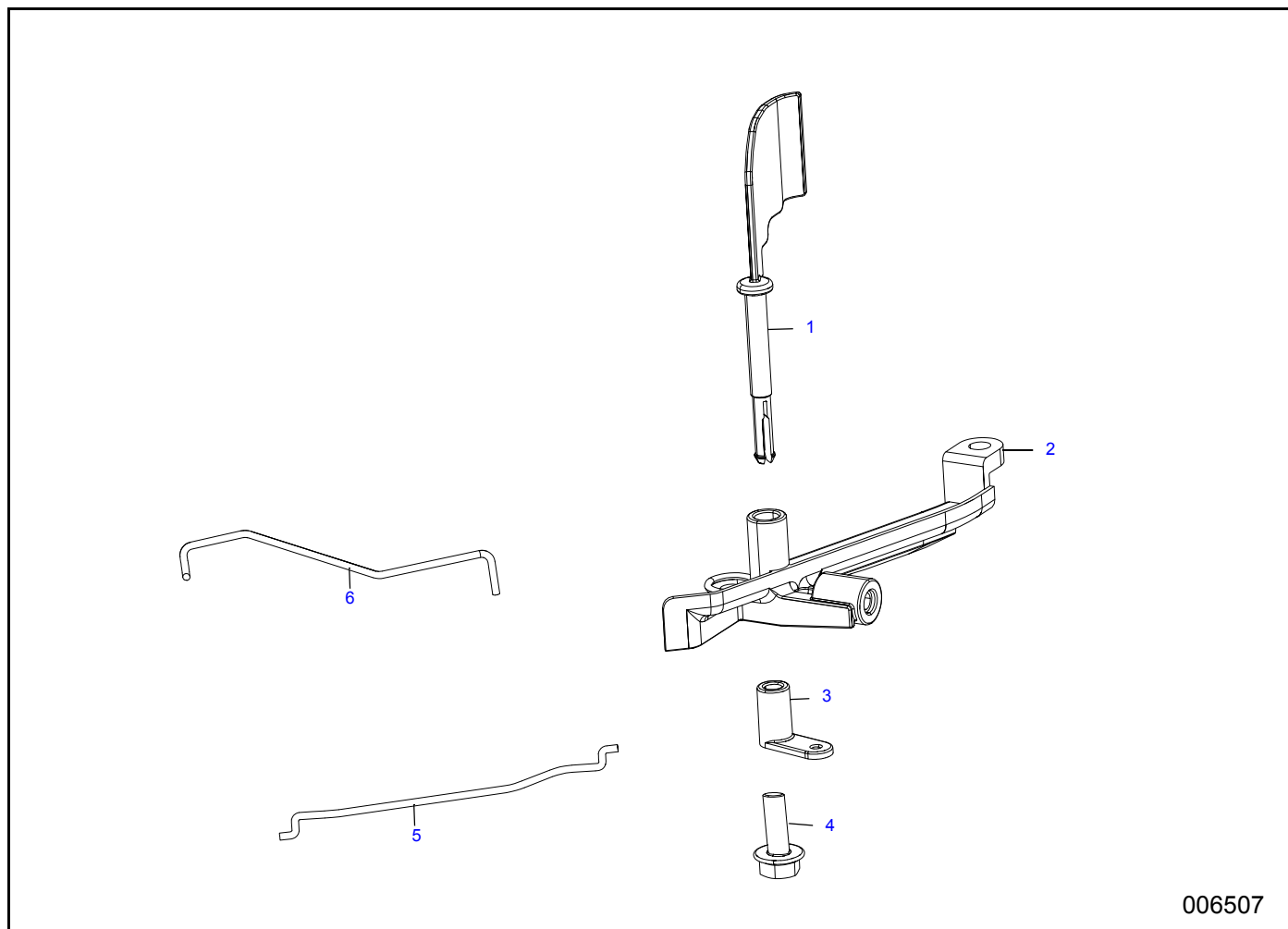
COVER



006506

| Item | Part Number | Description | Qty. |
|------|-------------|-------------------------|------|
| 1 | 1000006865 | BOLT M6X12 | 2 |
| 2 | 10000031290 | BREATHER CHAMBER CAP | 1 |
| 3 | 10000031253 | BREATHER CHAMBER GASKET | 1 |
| 4 | 10000031291 | BREATHER FILTER | 1 |
| 5 | 10000031275 | BREATHER VALVESPRING | 1 |
| 6 | 10000031254 | BREATHER VALVE COVER | 1 |

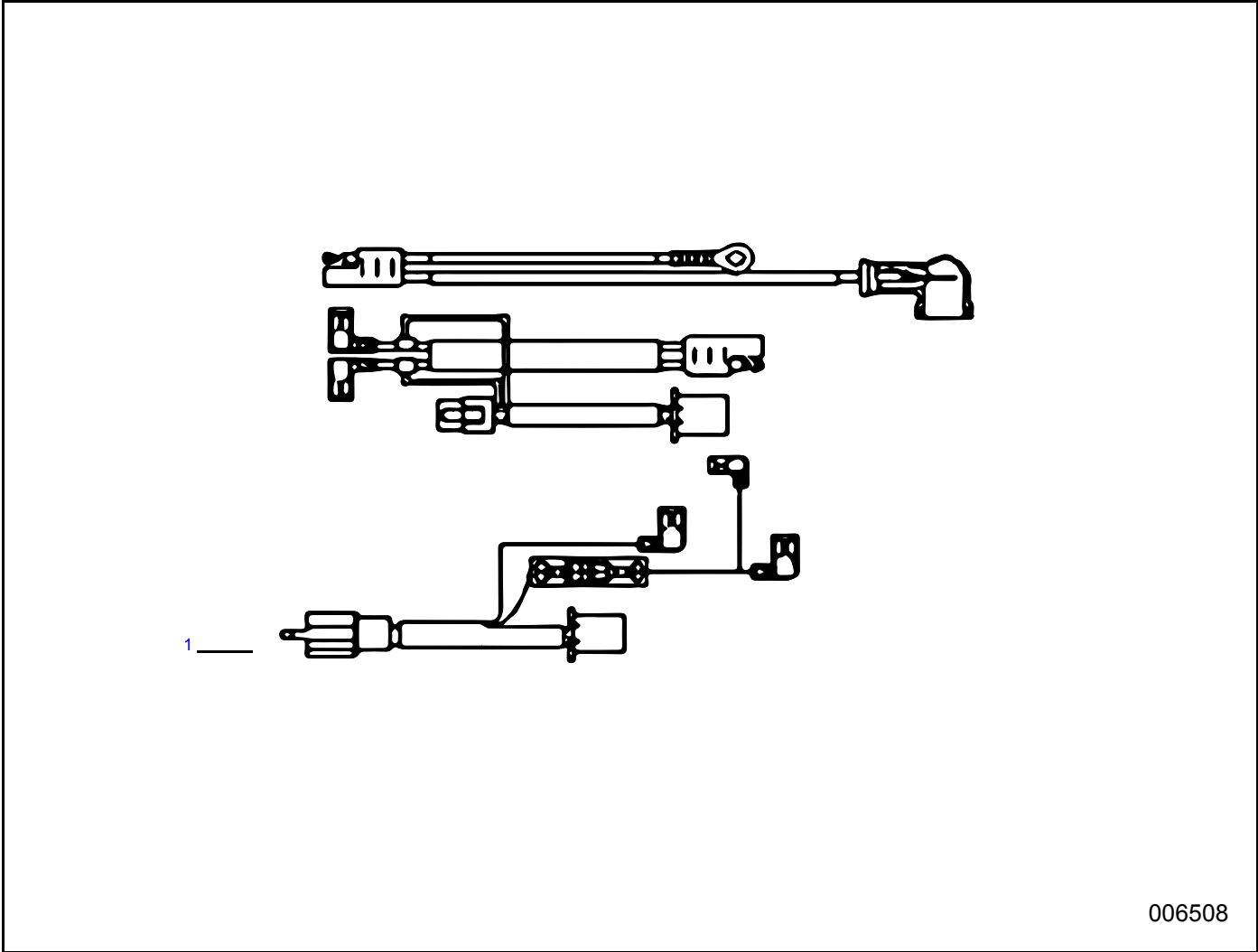
SHROUD



006507

| Item | Part Number | Description | Qty. |
|------|-------------|---------------|------|
| 1 | 10000031300 | BLADE | 1 |
| 2 | 10000031301 | SHROUD | 1 |
| 3 | 10000031285 | ROTOR | 1 |
| 4 | 10000031293 | BOLT ST4.2×13 | 1 |
| 5 | 10000031276 | ROD | 1 |
| 6 | 10000031311 | ROD, CHOKE | 1 |

WIRE HARNESS



006508

| Item | Part Number | Description | Qty. |
|------|-------------|--------------|------|
| 1 | 10000031286 | WIRE HARNESS | 1 |