

149cc Gasoline Engine

Engine Parts Manual

 **WARNING**

Operating, servicing and maintaining this equipment can expose you to chemicals including engine exhaust, carbon monoxide, phthalates, and lead, which are known to the State of California to cause cancer and birth defects or other reproductive harm. To minimize exposure, avoid breathing exhaust, do not idle the engine except as necessary, service your equipment in a well-ventilated area and wear gloves or wash your hands frequently when servicing your equipment.

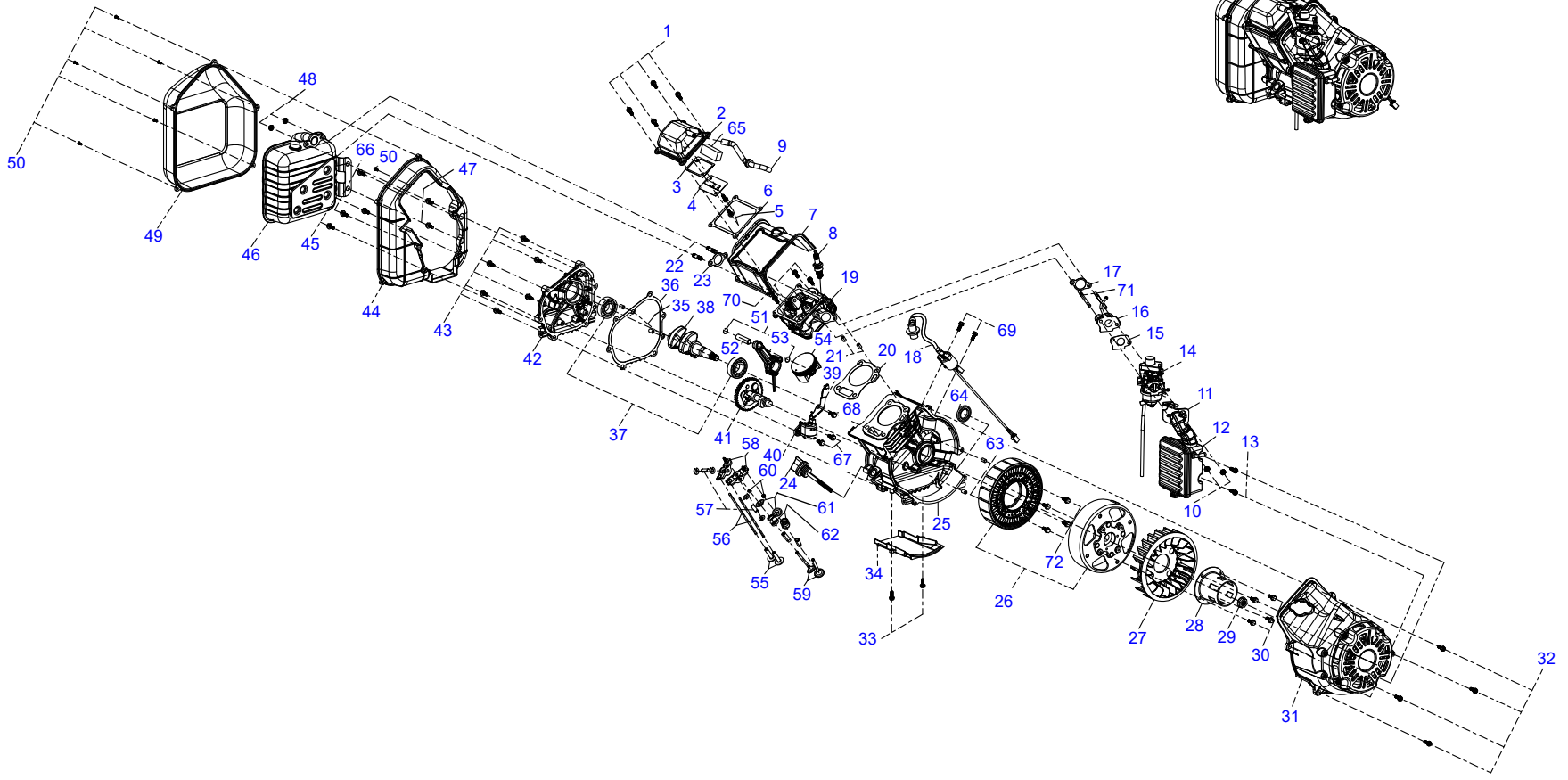
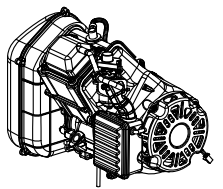
For more information go to
www.P65Warnings.ca.gov.

(000393)

The information in this manual is known to be accurate as of the date of release shown on the cover. However, engineering changes can occur without notice. To obtain the proper parts, be sure to use the serial number of the unit being serviced when ordering from this manual. Always refer to any part notes and changes before ordering. All other parts not shown in this manual can be found on Generac's exploded view drawings online on GENService at

www.generac.com.

www.generac.com or 1-888-GENERAC



005968

ITEM	PART NO.	DESCRIPTION	QTY
1	0J35220156	FLANGED BOLT (M6X20MM)	4
2	10000024662	VALVE COVER	1
3	10000024654	BREATHER CHAMBER CAP GASKET	1
4	10000024670	BREATHER CHAMBER CAP	1
5	10000021973	FLANGED BOLT (M5X10MM)	2
6	10000024663	VALVE COVER GASKET	1
7	10000024680	SHROUD	1
8	0H8074	SPARK PLUG	1
9	10000024627	BREATHER TUBE	1
10	10000021871	HEXAGONAL NUT (M6)	2
11	10000024636	CHOKE BRACKET	1
12	10000024664	AIR CLEANER ASSEMBLY	1
13	10000024655	FLANGED BOLT (M6X16)	2
14	10000024648	CARBURETOR	1
15	0J35220127	CARBURETOR GASKET	1
16	10000024665	CARBURETOR SPACER	1
17	10000024656	CARBURETOR GASKET	1
18	10000024658	IGNITION COIL	1
19	10000024649	CYLINDER HEAD ASSEMBLY	1
20	10000024579	CYLINDER HEAD GASKET	1
21	0J35220165	DOWEL PIN	2
22	0G84420210	EXHAUST STUD	2
23	10000024681	EXHAUST GASKET	1
24	10000024682	OIL DIPSTICK	1
25	10000024637	CRANKCASE ASSEMBLY	1
26	10000024763	ROTOR/STATOR ASSEMBLY	1
27	10000024684	BLOWER FAN	1
28	10000024700	STARTER CUP	1
29	0J35220162	HEXAGONAL NUT (M14)	1
30	10000024655	FLANGE BOLT (M6X16MM)	4
31	10000024691	BLOWER HOUSING WITH PULL START	1
32	0J35220156	FLANGE BOLT (M6X20MM)	4
33	0J4967	FLANGE BOLT (M5X12MM)	2
34	10000024712	SHROUD	1

ITEM	PART NO.	DESCRIPTION	QTY
35	N/A	DOWEL PIN	2
36	10000024674	CASE COVER GASKET	1
37	N/A	RADIAL BALL BEARING 6205	2
38	N/A	CRANKSHAFT ASSEMBLY	1
39	10000024688	PLATE	1
40	N/A	LOW OIL SWITCH ASSEMBLY	1
41	N/A	CAMSHAFT ASSEMBLY	1
42	N/A	CRANKCASE COVER	1
43	0J35230136	FLANGE BOLT (M8X32MM)	6
44	10000021907	MUFFLER COVER	1
45	10000024655	FLANGE BOLT (M6X16MM)	2
46	10000024741	MUFFLER ASSEMBLY	1
47	0E9470	FLANGE BOLT (M8X16)	2
48	0J35220161	HEXAGONAL NUT (M8)	2
49	10000024750	REAR MUFFLER COVER	1
50	10000021809	TAPPING SCREW (ST 4.0X15MM)	6
51	N/A	PISTON PIN CIRCLIP	2
52	N/A	PISTON PIN	1
53	N/A	CONNECTING ROD ASSEMBLY	1
54	N/A	PISTON	1
55	N/A	VALVE TAPPET	2
56	10000024714	PUSHROD	2
57	0J88870119	ROCKER ARM SHAFT	2
58	0J88870120	ROCKER ARM ASSEMBLY	2
59	10000024723	VALVE	2
60	10000024704	VALVE ROTATOR	2
61	10000024678	VALVE SPRING SEAT	2
62	10000024695	VALVE SPRING	2
63	10000024715	DOWEL PIN	2
64	0J35220166	OIL SEAL	1
65	0J88870108	BREATHER SEPERATOR	1
66	0J35220156	FLANGE BOLT (M6X20MM)	2
67	10000024655	FLANGE BOLT (M6X16MM)	2
68	0J35220157	FLANGE BOLT (M6X10MM)	1
69	0J35220156	FLANGE BOLT (M6X20MM)	2
70	0J35220158	FLANGE HEAD BOLT (M8X60MM)	4

ITEM	PART NO.	DESCRIPTION	QTY
71	10000024679	INTAKE STUD (M6X116MM)	2
72	10000024697	FLANGE BOLT (M6X50MM)	4

*N/A - PARTS ARE NOT AVAILABLE

Part No. 10000023723 Rev A 03/20/2018
©2018 Generac Power Systems, Inc.
All rights reserved
Specifications are subject to change without notice.
No reproduction allowed in any form without prior written
consent from Generac Power Systems, Inc.



Generac Power Systems, Inc.
S45 W29290 Hwy. 59
Waukesha, WI 53189
1-888-GENERAC (1-888-436-3722)
www.generac.com