



# SERVICE PARTS LIST

BUL. 54-08-1074

1/2" ELECTRIC DRILL

REVISED BUL  
6126-4

DATE  
MAR '68

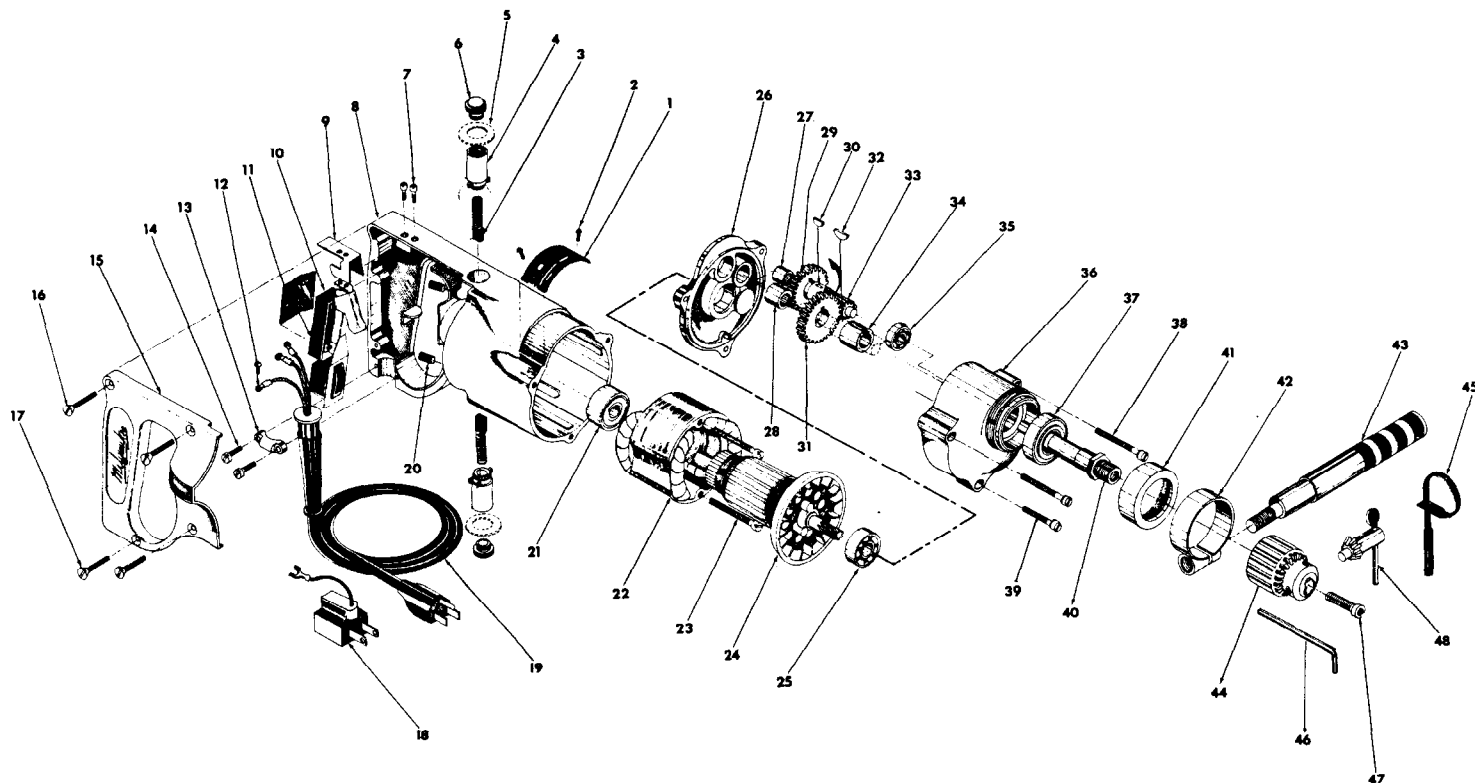
Catalog No. 1000-1

Starting  
Serial No. 126-14481

WIRING INSTR.  
58-01 (0190)

Both Model and Serial No. must be furnished to obtain correct parts.

0210



## ILLUSTRATED PARTS

FIG.	PART NO.	DESCRIPTION OF PART	FIG.	PART NO.	DESCRIPTION OF PART
1	12-98-0800	Name Plate	25	02-04-0940	Ball Bearing (Pinion End)
2	06-81-8400	4-40x1/4 Rd. Hd. Sem Name Plate Scrs.(2)	26	28-28-0581	Diaphragm
3	22-18-0100	Carbon Brush Assy. (2)	27	02-50-1640	Needle Bearing
4	22-22-0080	Brush Holder Assy. (2)	28	02-50-2110	Needle Bearing
5	23-86-0110	Brush Holder Insul. Washer (2)	29	32-40-1241	Intermediate Gear
6	23-44-0060	Brush Retaining Screw (2)	30	06-42-0800	Woodruff Key
7	06-81-5800	6-32x5/16 Fil.Hd.Sem Sw. Mtg. Scrs. (2)	31	32-75-1601	Spindle Gear
8	28-50-4488	Motor Housing Assy. (Incl. Item 15 & Scrs)	32	06-42-1600	Woodruff Key
9	42-14-0090	Wire Baffle	33	36-66-2001	Intermediate Pinion
★10	23-66-0485	Switch	34	45-36-0210	Spindle Gear Spacer
11	23-16-0340	Switch Insulator	35	02-04-0640	Ball Bearing
12	06-81-8625	6-32x1/4 Rd. Hd. Sem (Brass) Ground Scr.	36	28-14-0681	Gear Case
13	28-17-0400	Cord Clamp	37	02-04-1560	Ball Bearing
14	06-81-6150	8-32x1/2 Fil.Hd.Sem Cord Clamp Scr. (2)	38	06-81-6650	8-32x1-3/4 Fil.Hd.Sem Gear Case Scrs. (2)
15	28-20-3601	Handle Cover	39	06-81-6350	8-32x1 Fil. Hd. Sem Gear Case Scr.
16	06-81-3750	8-32x1 Oval Hd. Handle Cover Scrs. (2)	40	38-50-3651	Spindle
17	06-81-3700	8-32x7/8 Oval Hd. Handle Cover Scrs. (2)	41	42-52-0071	Bearing Cap
18	48-03-0010	Attachment Plug Adaptor	42	44-90-0130	Handle Ring
★19	22-64-0380	Cord Set	43	43-62-0160	Handle
20	06-83-2650	1/4-20x3/8 Hd'less Brush Holder Set Scrs.(2)	44	48-66-1360	Chuck
21	02-04-0970	Ball Bearing (Comm. End)	45	48-66-4040	Key Holder
22	18-42-1141	Field Assy.	46	49-96-0080	Socket Wrench
23	06-81-6600	8-32x1-3/4 Fil. Hd. Sem Field Scrs. (2)	47	06-75-3150	1/4-20x1 L.H. Allen Hd. Chuck Scr.
24	16-42-1210	Armature Assy.	48	48-66-3280	Chuck Key

Our minimum charge is \$2.00 NET.