



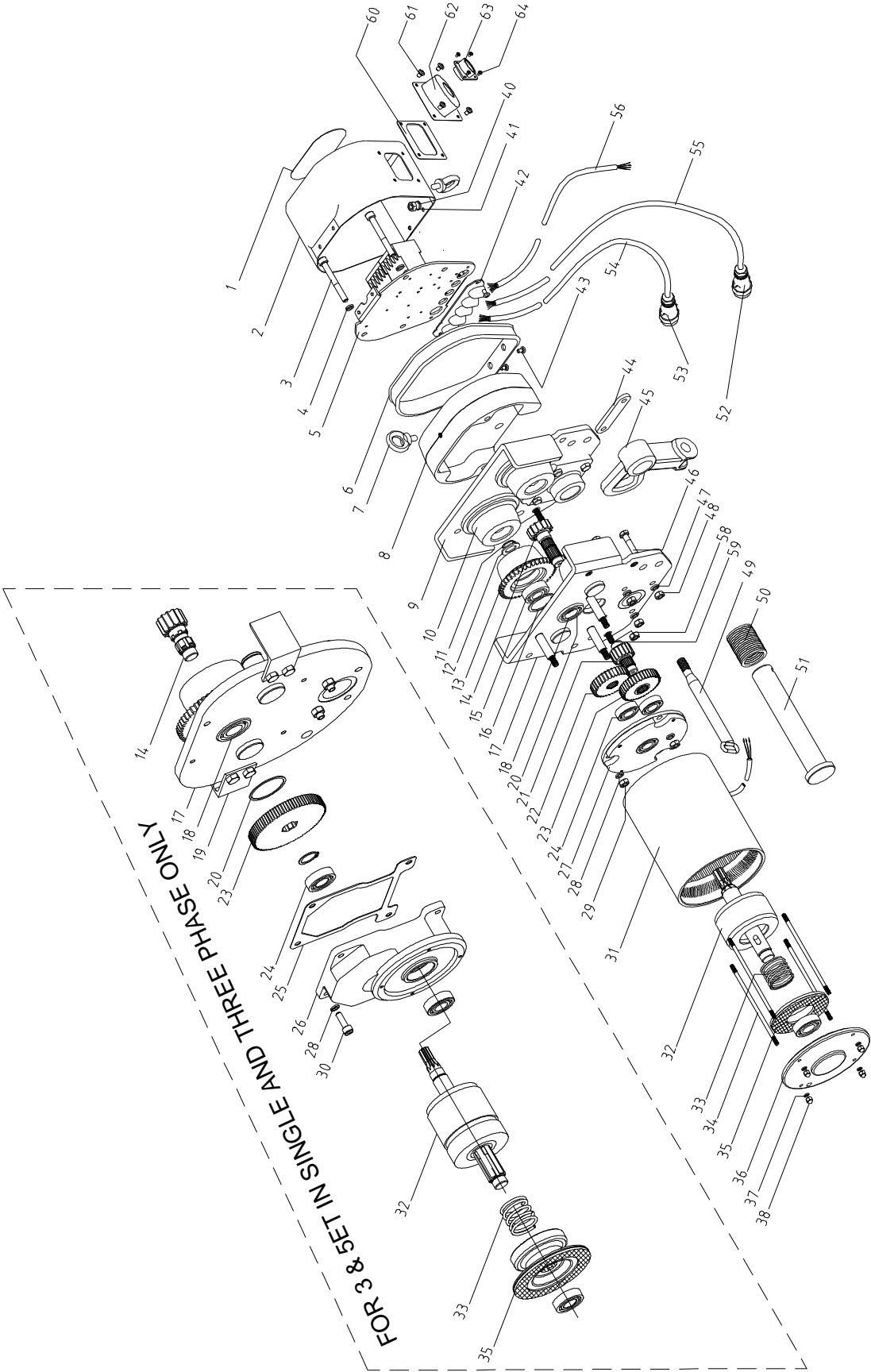
Operating Instructions and Parts Manual ET-C Series Electric Trolley



JET
427 New Sanford Road
LaVergne, Tennessee 37086
Ph.: 800-274-6848
www.jettools.com

Part No. M-262605
Revision E 09/2015
ECR CN0071
Copyright © 2015 JET

11.1.1 ET-C Series Trolley – Exploded View



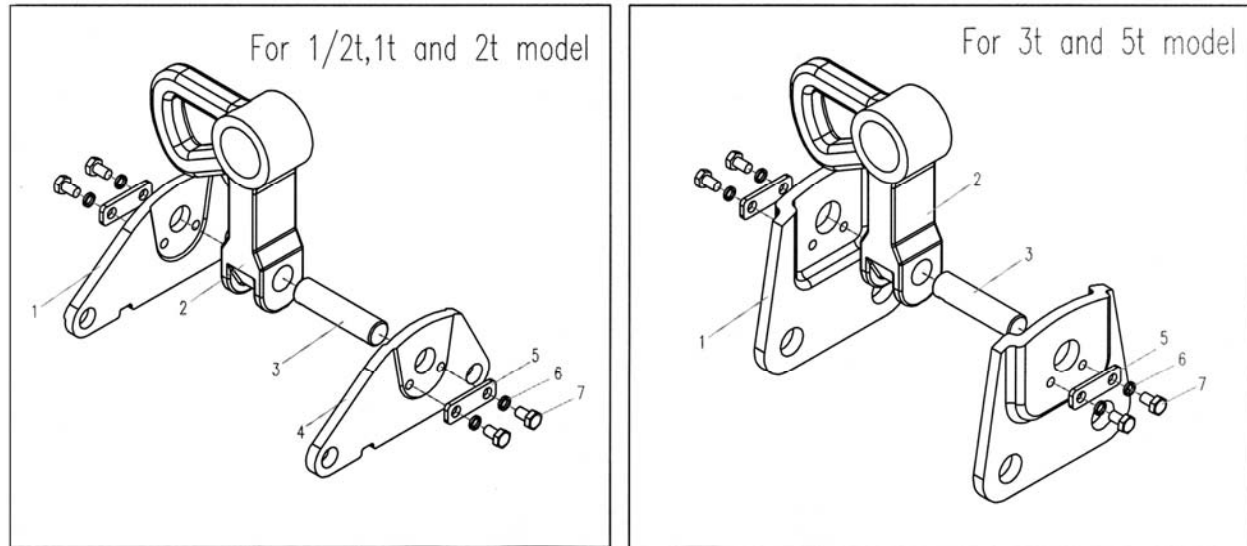
11.1.2 ET-C Series Trolley – Parts List

Index No.	Part No.	Description	Size	Qty
1	LM000123	Name Plate (1/2T, three phase)		1
	LM000124	Name Plate (1T, three phase)		1
	LM000125	Name Plate (2T, three phase)		1
	LM000126	Name Plate (3T, three phase)		1
	LM000127	Name Plate (5T, three phase)		1
	LM000128	Name Plate (1/2T, single phase)		1
	LM000129	Name Plate (1T, single phase)		1
	LM000130	Name Plate (2T, single phase)		1
	LM000131	Name Plate (3T, single phase)		1
	LM000132	Name Plate (5T, single phase)		1
2	1ET-3C-2G	Housing (1/2T,1T,2T,3T,5T)		1
3	1ET-3C-3	Socket Head Cap Screw (1/2T,1T,2T,3T,5T)	M8x70	2
4	1ET-3C-4	Lock Washer (1/2T,1T,2T,3T,5T)	8mm	7
5	1ET-3C-5	Electrical Board (1/2T,1T,2T, three phase)		1
	3ET-3C-5	Electrical Board (3T, 5T, three phase)		1
	1ET-1C-5	Electrical Board (1/2T,1T,2T, single phase)		1
	3ET-1C-5	Electrical Board (3T,5T, single phase)		1
6	1ET-3C-6	Protective Band (1/2T,1T,2T,3T,5T)		1
7	1ET-3C-7	Eye Bolt (1/2T,1T,2T,3T,5T)	M8x16	2
8	1ET-3C-8G	Balance Spacer (1/2T,1T,2T)		1
	3ET-3C-8G	Balance Spacer (3T,5T)		1
9	1ET-3C-9G	Plain Side Plate Assembly (1/2T,1T)		1
	2ET-3C-9G	Plain Side Plate Assembly (2T)		1
	3ET-3C-9G	Plain Side Plate Assembly (3T)		1
	5ET-3C-9G	Plain Side Plate Assembly (5T)		1
10	1ET-3C-10	Plain Wheel (1/2T,1T)		2
	2ET-3C-10	Plain Wheel (2T)		2
	3ET-3C-10	Plain Wheel (3T)		2
	5ET-3C-10	Plain Wheel (5T)		2
11	1ET-3C-11	Circlip for shaft (1/2T,1T)	Ø17mm	4
	2ET-3C-11	Circlip for shaft (2T)	Ø 25mm	4
	3ET-3C-11	Circlip for shaft (3T)	Ø 30mm	4
	5ET-3C-11	Circlip for shaft (5T)	Ø 35mm	4
12	1ET-3C-12	Washer (1/2T,1T)		4
	2ET-3C-12	Washer (2T)		4
13	1ET-3C-13	Geared Wheel (1/2T,1T)		2
	2ET-3C-13	Geared Wheel (2T)		2
	3ET-3C-13	Geared Wheel (3T)		2
	5ET-3C-13	Geared Wheel (5T)		2
14	1ET-3C-14	Fifth Gear (1/2T,1T,2T)		1
	3ET-3C-14	Fifth Gear (3T,5T)		1
15	1ET-3C-15	Roller Bearing (1/2T,1T)	6203-2Z	4
	2ET-3C-15	Roller Bearing (2T)	6205-2Z	4
	3ET-3C-15	Roller Bearing (3T)	6206-2Z	4
	5ET-3C-15	Roller Bearing (5T)	6207-2Z	4
16	1ET-3C-16	Circlip for hole (1/2T,1T)	40mm	4
	2ET-3C-16	Circlip for hole (2T)	52mm	4
	3ET-3C-16	Circlip for hole (3T)	62mm	4
	5ET-3C-16	Circlip for hole (5T)	72mm	4
17	1ET-3C-17G	Gear Side Plate Assembly (1/2T,1T)		1
	2ET-3C-17G	Gear Side Plate Assembly (2T)		1
	3ET-3C-17G	Gear Side Plate Assembly (3T)		1
	5ET-3C-17G	Gear Side Plate Assembly (5T)		1
18	1ET-3C-18	Roller Bearing (1/2T,1T,2T)	6004-2ZN	1
	3ET-3C-18	Roller Bearing (3T,5T)	6205-2ZN	1
19	3ET-3C-19	Safety Block (3T)		4
	5ET-3C-19	Safety Block (5T)		4

Index No.	Part No.	Description	Size	Qty
20	1ET-3C-20	Roller Bearing w/Snap Ring (1/2T,1T,2T)	42mm	1
	3ET-3C-20	Roller Bearing w/Snap Ring (3T,5T)	52mm	1
21	1ET-3C-21	Third Gear (1/2T,1T,2T)		1
22	1ET-3C-22	Fourth Gear (1/2T,1T,2T)		1
23	1ET-3C-23	Second Gear (1/2T,1T,2T)		1
	3ET-3C-23	Second Gear (3T,5T)		1
24	1ET-3C-24	Roller Bearing (1/2T,1T,2T)	6003-2Z	4
	3ET-3C-24	Roller Bearing (3T,5T)	6004-2Z	4
25	3ET-3C-25	Gear Case Gasket (3T,5T)		1
26	3ET-3C-26G	Gear Case (3T,5T)		1
27	1ET-3C-27	Flange (1/2T,1T,2T)		1
28	1ET-3C-28	Lock Washer (1/2T,1T,2T,3T,5T)	8mm	4
29	1ET-3C-29	Hex Nut (1/2T,1T,2T)	M8	3
30	TS-1504051	Socket Head Cap Screw (3T,5T)	M8x25	4
31	1ET-3C-31G	Motor Case Assembly (1/2T,1T,2T, three phase)		1
	3ET-3C-31G	Motor Case Assembly (3T,5T, three phase)		1
	1ET-1C-31G	Motor Case Assembly (1/2T,1T,2T,single phase)		1
	3ET-1C-31G	Motor Case Assembly (3T,5T, single phase)		1
32	1ET-3C-32	Rotor Assembly (1/2T,1T,2T three phrase)		1
	3ET-3C-32	Rotor Assembly (3T,5T, three phrase)		1
	1ET-1C-32	Rotor Assembly (1/2T,1T, 2T single phase)		1
	3ET-1C-32	Rotor Assembly (3T,5T, single phase)		1
33	3ET-3C-33	Brake Spring (1/2T,1T,2T,3T,5T)		1
34	1ET-3C-34	Motor Stay Bolt (1/2T,1T,2T)		4
	3ET-3C-34	Motor Stay Bolt (3T,5T)		4
35	3ET-3C-35	Friction Pad Assembly (1/2T,1T,2T,3T,5T)		1
36	1ET-3C-36G	Motor End Plate (1/2T,1T,2T,3T,5T)		1
37	1ET-3C-37	Lock Washer (1/2T,1T,2T,3T,5T)	5mm	4
38	1ET-3C-38	Acorn Nut (1/2T,1T,2T,3T,5T)	M5	4
40	1ET-3C-40	Lock Washer (1/2T,1T,2T,3T,5T)	8mm	1
41	1ET-3C-41	Hex Nut (1/2T,1T,2T,3T,5T)	M8	1
42	1ET-3C-42	Cable Press Plate (1/2T,1T,2T,3T,5T)		1
43	1ET-3C-43	Phillips Pan Head Screw (1/2T,1T,2T,3T,5T)	M5x10	2
44	1ET-3C-44	Plate Key (1/2T,1T)		1
	2ET-3C-44	Plate Key (2T)		1
	3ET-3C-44	Plate Key (3T)		1
	5ET-3C-44	Plate Key (5T)		1
45	1ET-3C-45	Hoist Hanger (1/2T,1T)		1
	2ET-3C-45	Hoist Hanger (2T)		1
	3ET-3C-45	Hoist Hanger (3T)		1
	5ET-3C-45	Hoist Hanger (5T)		1
46	1ET-3C-46	Hex Cap Screw (1/2T,1T)	M8x40	8
	2ET-3C-46	Hex Cap Screw (2T)	M10x45	8
	3ET-3C-46	Hex Cap Screw (3T)	M10x50	8
	5ET-3C-46	Hex Cap Screw (5T)	M14x65	8
47	1ET-3C-47	Lock Washer (1/2T,1T)	8mm	8
	2ET-3C-47	Lock Washer (2T)	10mm	8
	3ET-3C-47	Lock Washer (3T)	10mm	8
	5ET-3C-47	Lock Washer (5T)	14mm	8
48	1ET-3C-48	Hex Nut (1/2T,1T)	M8	8
	2ET-3C-48	Hex Nut (2T)	M10	8
	3ET-3C-48	Hex Nut (3T)	M10	8
	5ET-3C-48	Hex Nut (5T)	M14	8
49	1ET-3C-49	Cord Holder (1/2T,1T,2T,3T,5T)		1
50	1ET-3C-50	Spacer (1/2T,1T)		16
	2ET-3C-50	Spacer (2T)		16
	3ET-3C-50	Spacer (3T)		16
	5ET-3C-50	Spacer (5T)		16

Index No.	Part No.	Description	Size	Qty
51	1ET-3C-51	Suspension Shaft (1/2T,1T)		1
	2ET-3C-51	Suspension Shaft (2T)		1
	3ET-3C-51	Suspension Shaft (3T)		1
	5ET-3C-51	Suspension Shaft (5T)		1
52	1ET-3C-52A	Male Plug for 7-Pin (1/2T,1T,2T,3T,5T)	YD28K7TQPGB.5	1
53	1ET-3C-53A	Male Plug for 4-Pin (1/2T,1T,2T,3T,5T)	YD24K4TQPGB.5	1
54	1ET-3C-54	Coupling Cable P (1/2T,1T,2T,3T,5T)	1M	1
55	1ET-3C-55	Coupling Cable C (1/2T,1T,2T,3T,5T)	1M	1
56	1ET-3C-56	Power Cord (1/2T,1T,2T,3T,5T)	2M	1
58	1ET-3C-58	Hex Nut (1/2T,1T,2T)	M12	3
	3ET-3C-58	Hex Nut (3T,5T)	M16	3
59	1ET-3C-59	Threaded Shaft (1/2T,1T)		1
	2ET-3C-59	Threaded Shaft (2T)		1
	3ET-3C-59	Threaded Shaft (3T)		1
	5ET-3C-59	Threaded Shaft (5T)		1
60	1ET-3C-60	Seal Gasket (1/2T,1T,2T,3T,5T)		1
61	TS-1533042	Phillips Pan Head Machine Screw (1/2T,1T,2T,3T,5T)	M5X12	4
62	1ET-3C-52	Connector Case (1/2T,1T,2T,3T,5T)		1
63	1ET-3C-63	Female Plug (1/2T,1T,2T,3T,5T)	YD28J15Z	1
64	1ET-3C-64	Phillips Pan Head Machine Screw (1/2T,1T,2T,3T,5T)	M3X14	4

11.2.1 Lug Mount Assembly (Optional) for SS-3C,SS-1C Hoists



For Electric Hoists in 1/2T, 1T and 2T

Index No.	Part No.	Description	Size	Qty
.....	1/2SS-3C-LMA.....	Lug Mount Assembly (1/2T) (includes #1 and 3-7)		
.....	1SS-3C-LMA.....	Lug Mount Assembly (1T) (includes #1 and 3-7)		
.....	2SS-3C-LMA.....	Lug Mount Assembly (2T) (includes #1 and 3-7)		
1.....	1/2SS-3C-116.....	Side Plate L.H. (1/2T)		1
.....	1SS-3C-116.....	Side Plate L.H. (1T)		1
.....	2SS-3C-116.....	Side Plate L.H. (2T)		1
2.....	1ET-3C-45.....	Hoist Hanger (1/2T,1T)*		1
.....	2ET-3C-45.....	Hoist Hanger (2T)*.....		1
3.....	1/2SS-3C-118.....	Lug Mounting Shaft (1/2T,1T)		1
.....	2SS-3C-118.....	Lug Mounting Shaft (2T)		1
4.....	1/2SS-3C-119.....	Side Plate R.H. (1/2T).....		1
.....	1SS-3C-119.....	Side Plate R.H. (1T)		1
.....	2SS-3C-119.....	Side Plate R.H. (2T)		1
5.....	3SS-3C-061.....	Hinge Plate.....		2
6.....	1/2SS-3C-012.....	Lock Washer	6mm	4
7.....	1/2SS-3C-120.....	Hex Head Cap Screw	M6x10	4

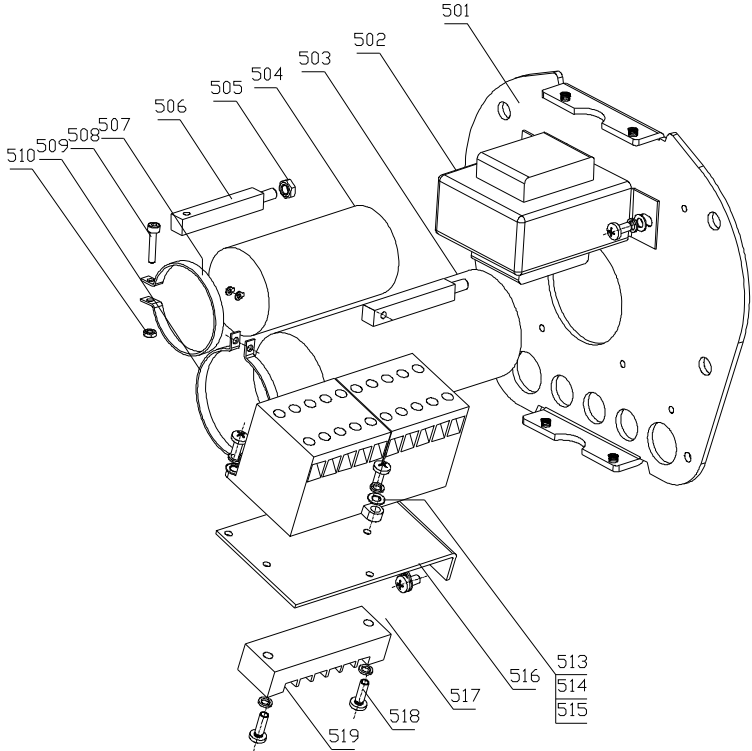
For Electric Hoists in 3T and 5T

Index No.	Part No.	Description	Size	Qty
.....	3SS-3C-LMA.....	Lug Mount Assembly (3T) (includes #1 and 3-7)		
.....	5SS-3C-LMA.....	Lug Mount Assembly (5T) (includes #1 and 3-7)		
1.....	3SS-3C-116.....	Side Plate (3T)		2
.....	5SS-3C-116.....	Side Plate (5T)		2
2.....	3ET-3C-45.....	Hoist Hanger (3T)*.....		1
.....	5ET-3C-45.....	Hoist Hanger (5T)*.....		1
3.....	2SS-3C-118.....	Lug Mounting Shaft (3T)		1
.....	5SS-3C-118.....	Lug Mounting Shaft (5T)		1
5.....	3SS-3C-061.....	Hinge Plate.....		2
6.....	1/2SS-3C-012.....	Lock Washer	6mm	4
7.....	3SS-3C-120.....	Hex Head Cap Screw	M6x12	4

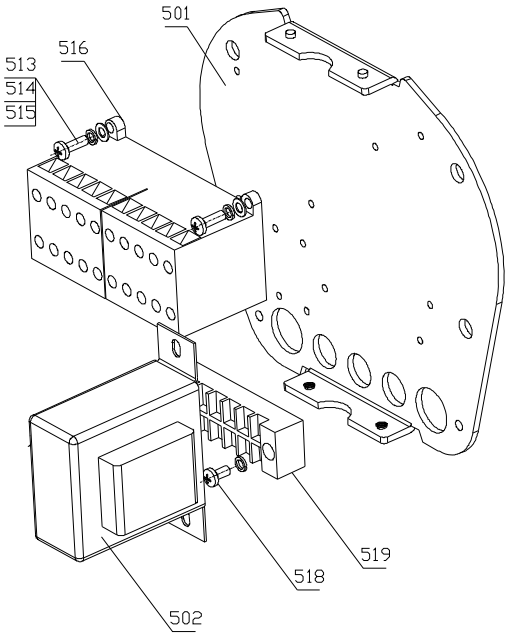
* Hoist Hanger comes pre-assembled to the electric trolley.

11.3.1 ET-C Series Trolley Electrical Components – Exploded View

SINGLE PHASE



THREE PHASE



11.3.2 ET-C Series Trolley Electrical Components – Parts List

Index No.	Part No.	Description	Size	Qty
501	1ET-3C-501	Electrical Component Board (3Ph)		1
	1ET-1C-501	Electrical Component Board (1/2T,1T, 2T: 1Ph)		1
	3ET-1C-501	Electrical Component Board (3T,5T: 1Ph)		1
502	1ET-3C-502	Transformer (3Ph)	(460/230)/24V	1
	1ET-1C-502	Transformer (1Ph)	(230/115)/24V	1
503	1ET-1C-503	Capacitor (1/2T,1T,2T: 1Ph)	65 μ F	1
	3ET-1C-503	Capacitor (3T,5T: 1Ph)	120 μ F	1
504	1ET-1C-504	Capacitor (1/2T,1T,2T: 1Ph)	16 μ F	1
	3ET-1C-504	Capacitor (3T,5T: 1Ph)	30 μ F	1
505	TS-1541001	Lock Nut (1Ph)	M4	2
506	1ET-1C-506	Retainer Pin (1Ph)		2
507	1ET-1C-507	Capacitor Holder (1/2T,1T,2T: 1Ph)		1
508	TS-1501061	Socket Head Cap Screw (1Ph)	M4x20	2
509	1ET-1C-509	Capacitor Holder (1/2T,1T,2T: 1Ph)		1
	3ET-1C-509	Capacitor Holder (3T,5T: 1Ph)		2
510	TS-1541001	Lock Nut (1Ph)	M4	2
513	TS-1532032	Pan Head Screw (3Ph)	M4x10	5
	TS-1532032	Pan Head Screw (1Ph)	M4x10	7
514	TS-2361041	Lock Washer (3Ph)	M4	7
	TS-2361041	Lock Washer (1Ph)	M4	9
515	TS-1550021	Flat Washer (3Ph)	M4	5
	TS-1550021	Flat Washer (1Ph)	M4	7
516	1ET-3C-516A	Contacto	VB6-30-01	1
517	1ET-1C-517	Contacto Holder (1Ph)		1
518	TS-1532032	Pan Head Screw	M4x10	2
519	1ET-3C-519	Terminal Board		1