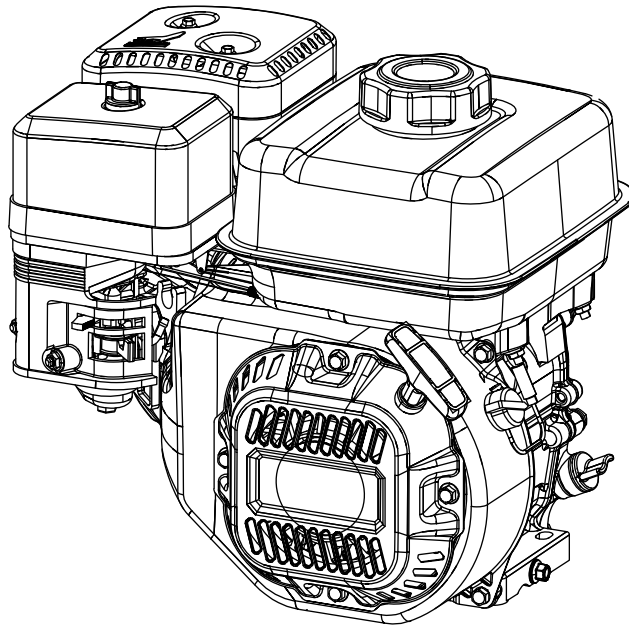


196cc Gasoline Engine (G33)

Parts Manual



NOTICE!

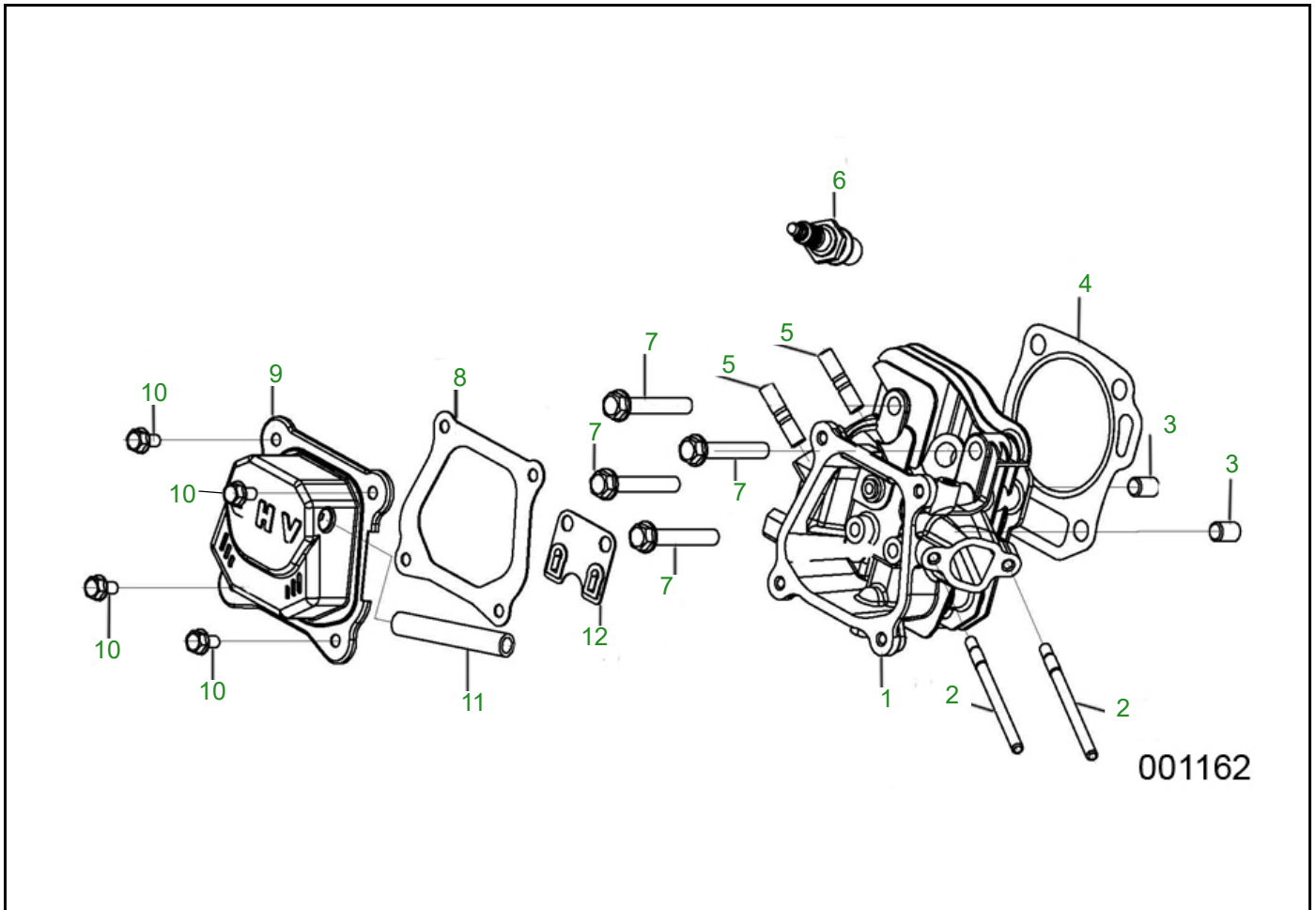
The information in this manual is known to be accurate as of the date of release shown on the cover. However, engineering changes can occur without notice. To obtain the proper parts, please be sure to use the serial number of the unit being serviced when ordering from this manual. Always refer to any parts notes and changes before ordering. All other parts not shown in this manual can be found on Generac's exploded view drawings online on GENservice at www.generac.com.

www.generac.com or 1-888-GENERAC (1-888-436-3722)

Table of Contents

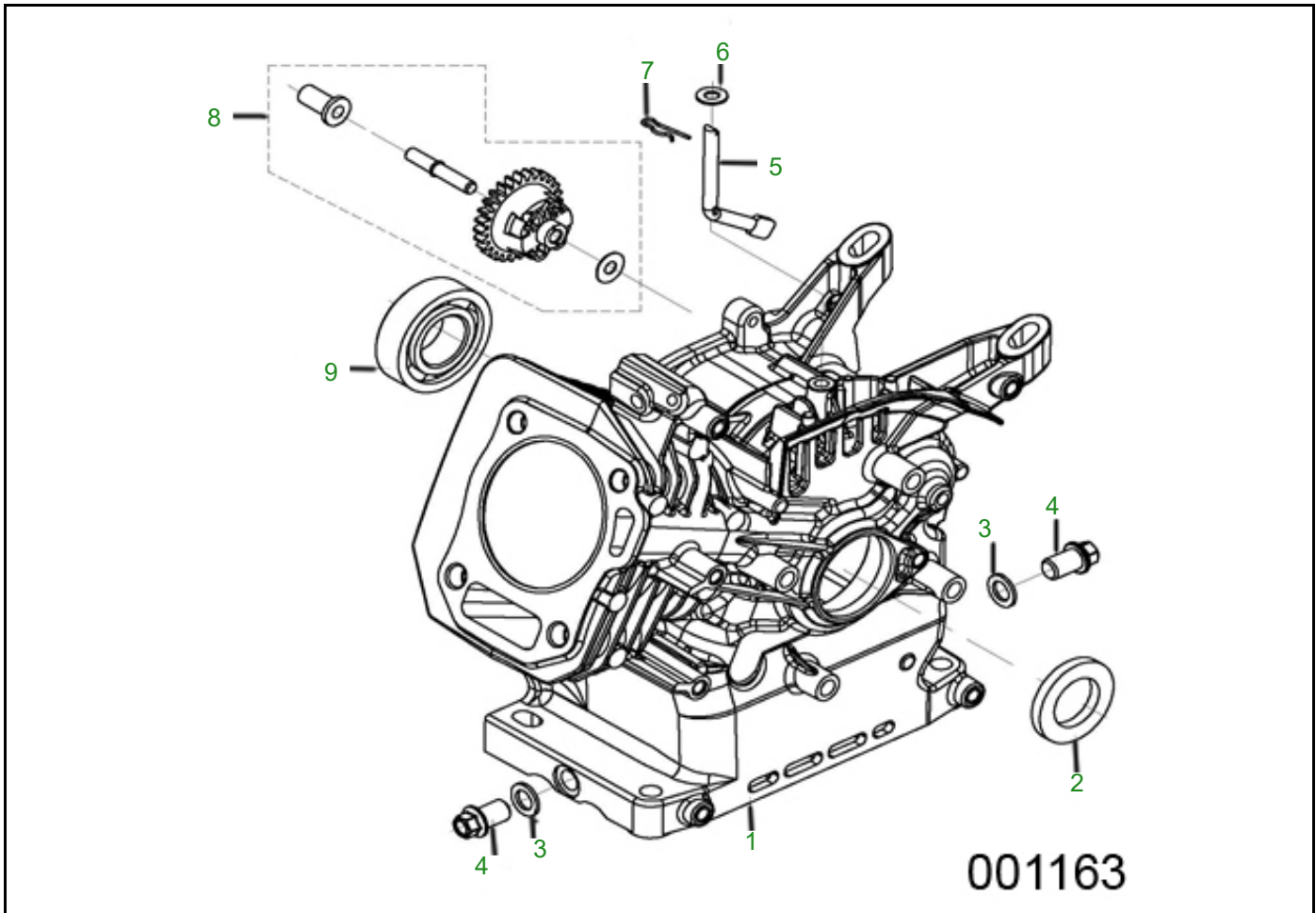
| | |
|---------------------------------------|----|
| CYLINDER HEAD | 1 |
| CRANKCASE | 2 |
| CRANKCASE COVER | 3 |
| CRANKSHAFT/PISTON ASSEMBLIES | 4 |
| CAMSHAFT/ROCKER ARM ASSEMBLIES | 5 |
| RECOIL STARTER ASSEMBLY | 6 |
| DIVERSION ASSEMBLY | 7 |
| CARBURETOR ASSEMBLY | 8 |
| FLYWHEEL/IGNITION COIL ASSEMBLY | 9 |
| CONTROL SYSTEM | 10 |
| AIR CLEANER ASSEMBLY | 11 |
| MUFFLER ASSEMBLY | 12 |
| FUEL TANK ASSEMBLY | 13 |

CYLINDER HEAD



| ITEM | PART NO. | DESCRIPTION | QTY |
|------|------------|----------------------------|-----|
| 1 | 0K84300178 | CYLINDER HEAD | 1 |
| 2 | 0K84300121 | INTAKE STUD BOLT (M6X110) | 2 |
| 3 | 0K84300117 | DOWEL PIN (10X16) | 2 |
| 4 | 0K84300180 | CYLINDER HEAD GASKET | 1 |
| 5 | 0K84300122 | EXHAUST STUD BOLT (M8X35) | 2 |
| 6 | 0K84300191 | SPARK PLUG F6RTC | 1 |
| 7 | 0K84300197 | FLANGE BOLT (M8X55) | 4 |
| 8 | 0K84300124 | CYLINDER HEAD COVER GASKET | 1 |
| 9 | 0K84300142 | CYLINDER HEAD COVER | 1 |
| 10 | 0K84300112 | FLANGE BOLT (M6X12) | 4 |
| 11 | 0K84300123 | BREATHER TUBE | 1 |
| 12 | 0K84300147 | GUIDE PLATE | 1 |

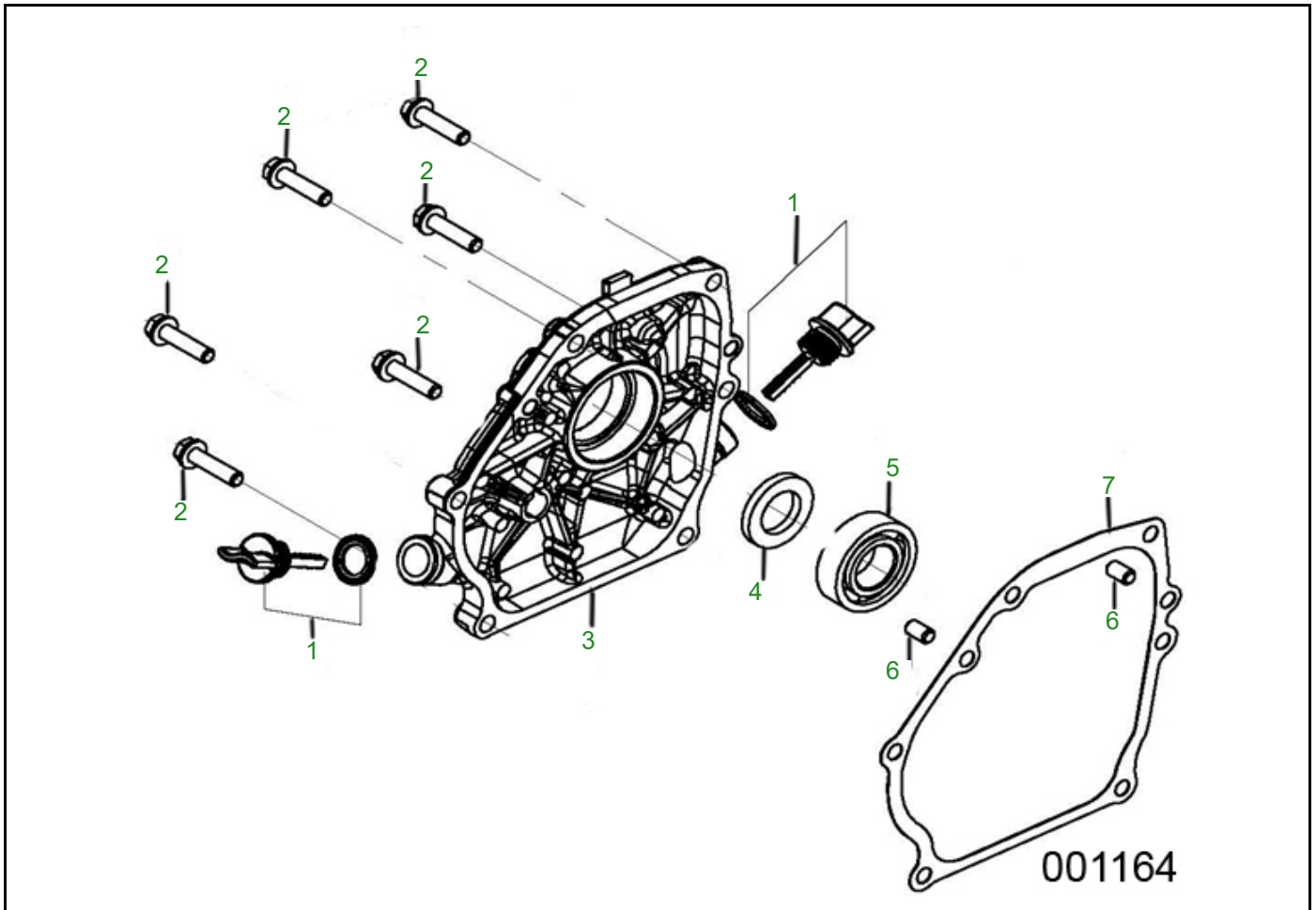
CRANKCASE



001163

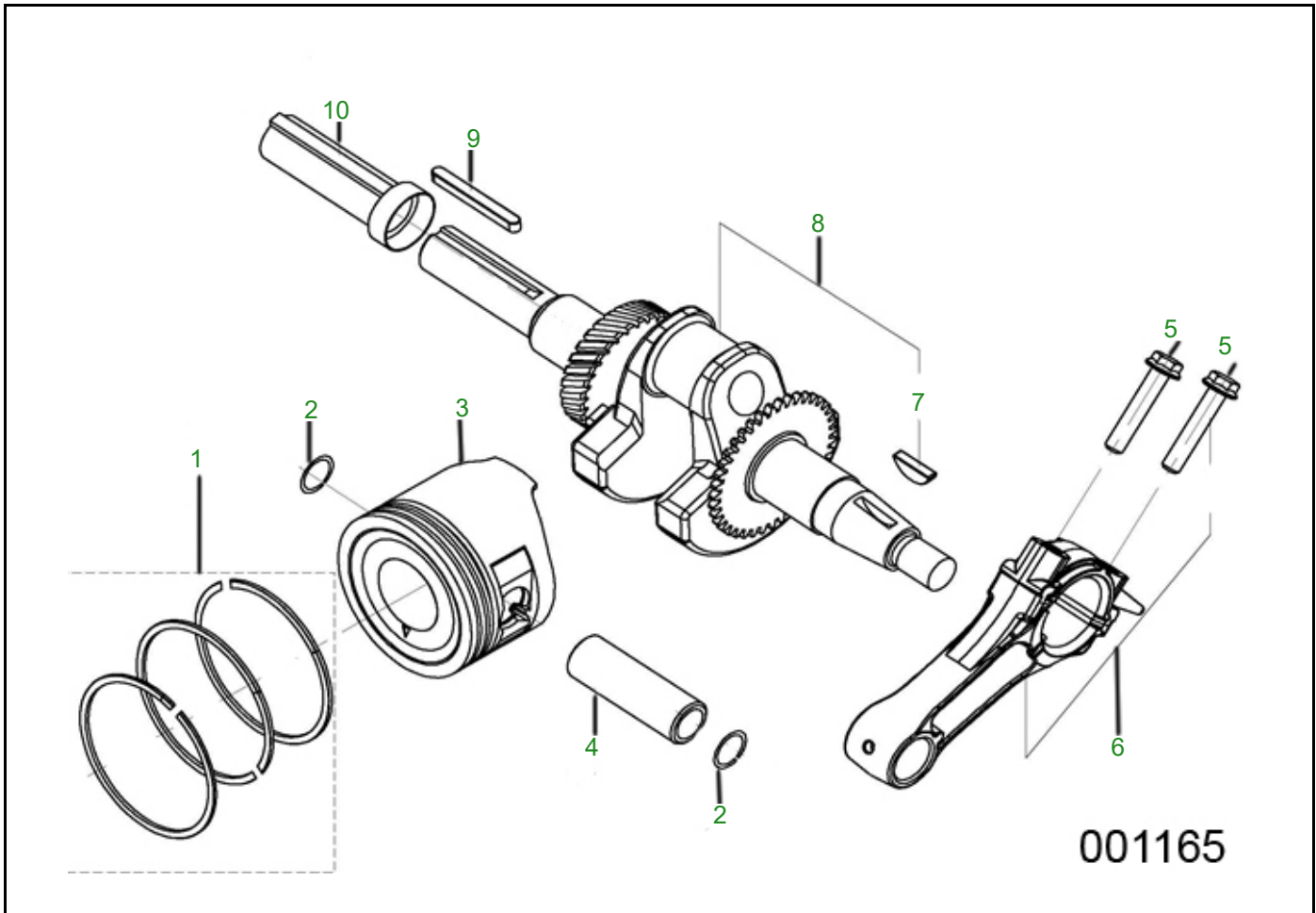
| ITEM | PART NO. | DESCRIPTION | QTY |
|------|------------|----------------------------|-----|
| 1 | 0K84300181 | CRANKCASE | 1 |
| 2 | 0K84300110 | OIL SEAL (25X41.3X6) | 1 |
| 3 | 0K84300125 | WASHER (10x16x1.5) | 2 |
| 4 | 0K84300179 | DRAIN BOLT (M10X1.25X15) | 2 |
| 5 | 0K84300134 | GOVERNOR ARM SHAFT | 1 |
| 6 | 0K84300135 | GOVERNOR SHAFT WASHER | 1 |
| 7 | 0K84300138 | SPRING PIN | 1 |
| 8 | 0K84300139 | GOVERNOR GEAR | 1 |
| 9 | 0K84300111 | BEARING 6205 (P5 25X52X15) | 1 |

CRANKCASE COVER



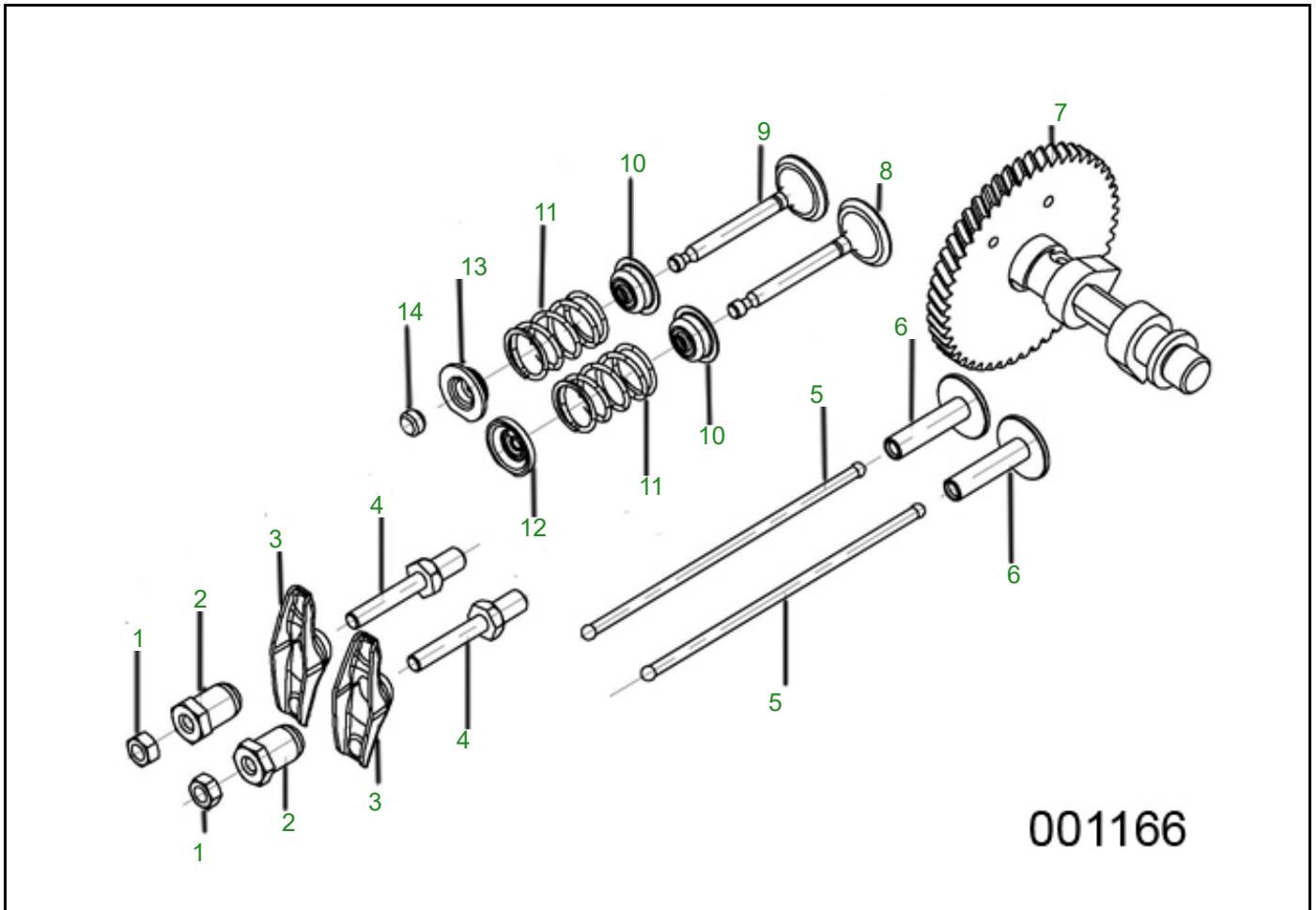
| ITEM | PART NO. | DESCRIPTION | QTY |
|------|------------|----------------------------|-----|
| 1 | 0K84300182 | OIL DIPSTICK ASSEMBLY | 2 |
| 2 | 0K84300196 | FLANGE BOLT (M8X32) | 6 |
| 3 | 0K84300143 | CRANKCASE COVER | 1 |
| 4 | 0K84300110 | OIL SEAL (25X41.3X6) | 1 |
| 5 | 0K84300111 | BEARING 6205 (P5 25X52X15) | 1 |
| 6 | 0K84300118 | DOWEL PIN (9X14) | 2 |
| 7 | 0K84300144 | CRANKCASE COVER GASKET | 1 |

CRANKSHAFT/PISTON ASSEMBLIES



| ITEM | PART NO. | DESCRIPTION | QTY |
|------|------------|------------------------------|-----|
| 1 | 0K84300187 | PISTON RING SET | 1 |
| 2 | 0K84300151 | PISTON PIN CIRCLIP | 2 |
| 3 | 0K84300185 | PISTON | 1 |
| 4 | 0K84300152 | PISTON PIN | 1 |
| 5 | 0K84300155 | CONNECTING ROD BOLT | 2 |
| 6 | 0K84300154 | CONNECTING ROD | 1 |
| 7 | 0K84300193 | SEMI CIRCULAR KEY (4X7.5X19) | 1 |
| 8 | 0K84300186 | CRANKSHAFT (Q) | 1 |
| 9 | 0K84300192 | FLAT KEY (4.78X4.78X43) | 1 |
| 10 | 0K84300153 | CRANKSHAFT PROTECTOR | 1 |

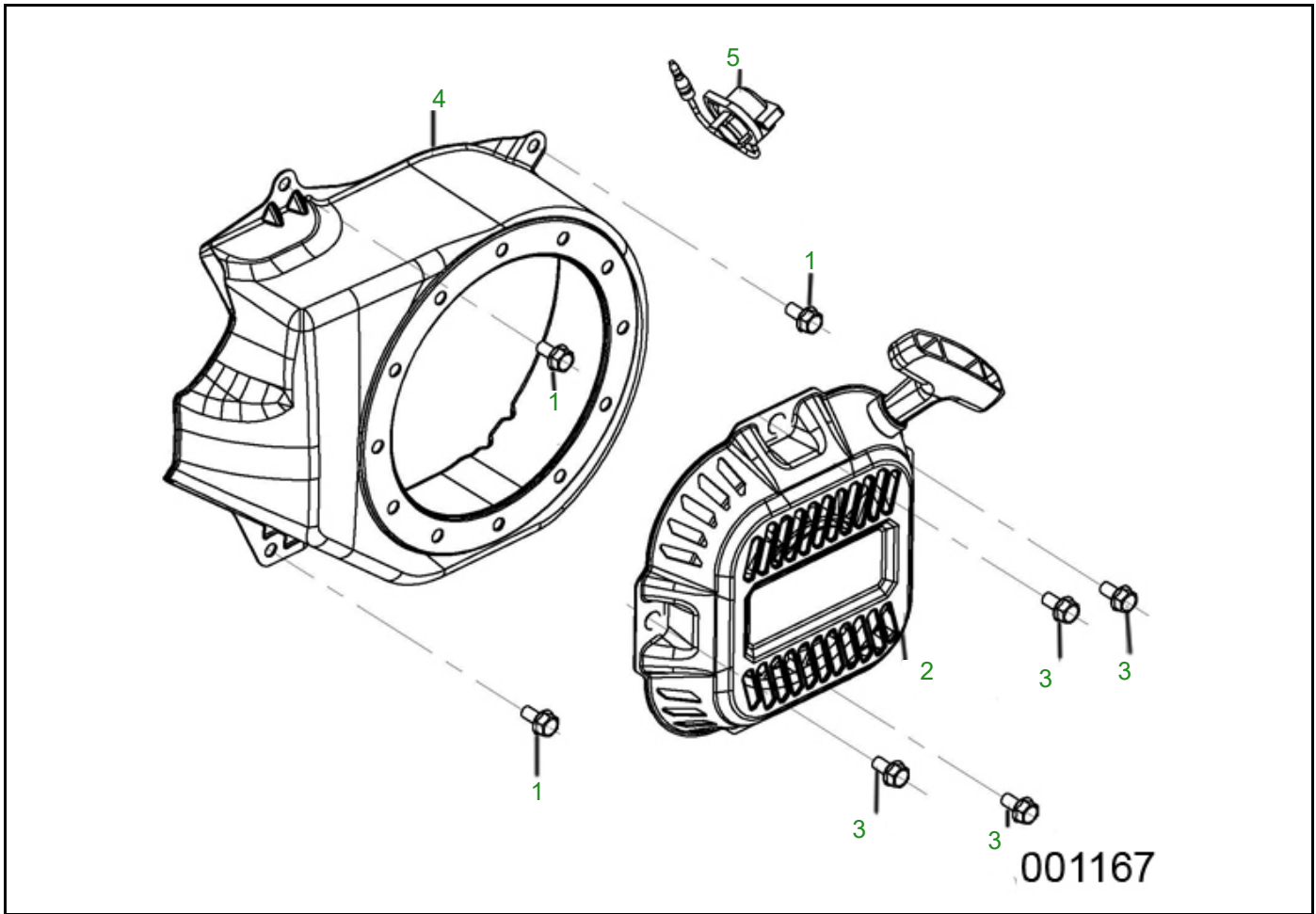
CAMSHAFT/ROCKER ARM ASSEMBLIES



001166

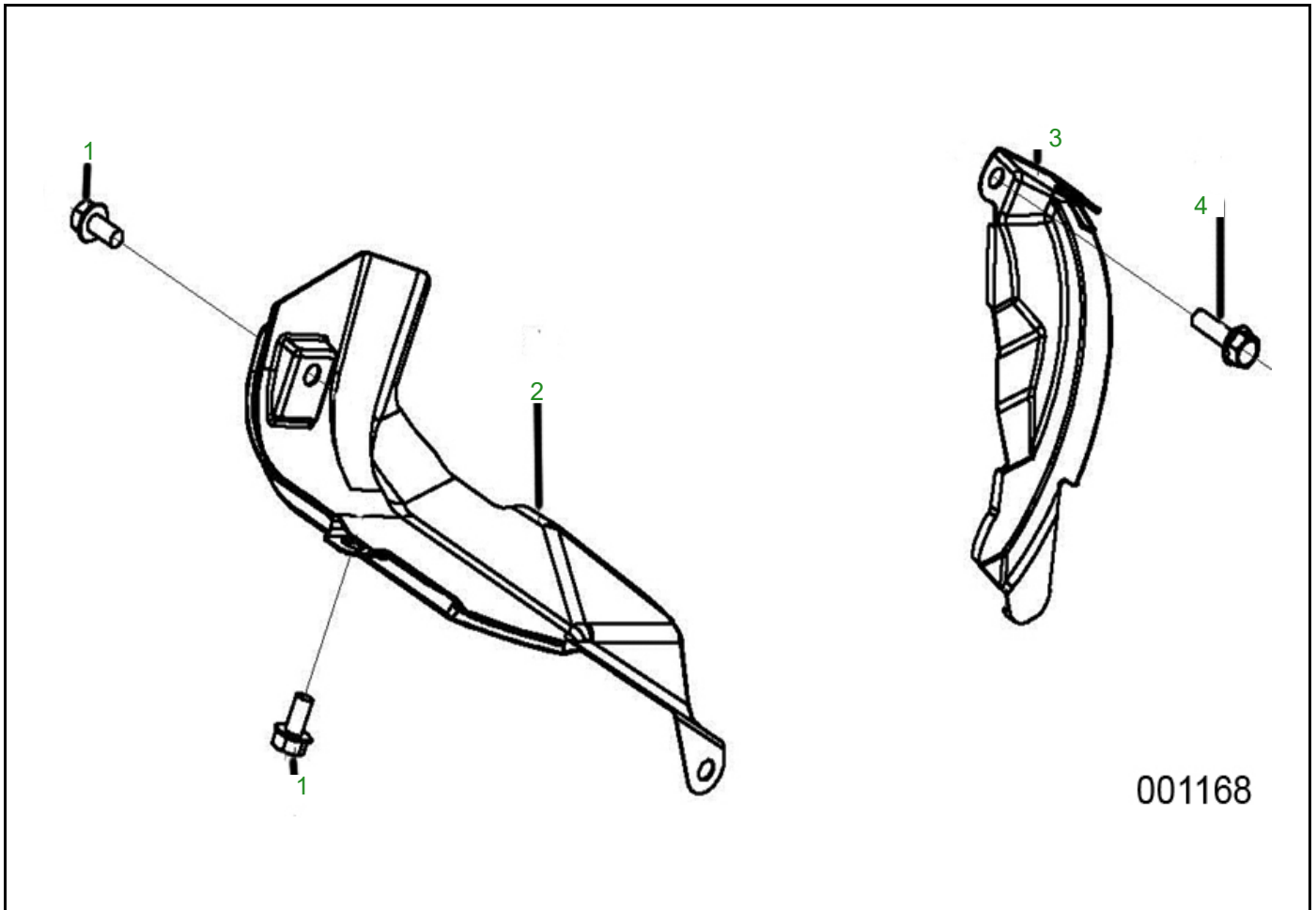
| ITEM | PART NO. | DESCRIPTION | QTY |
|------|------------|------------------------|-----|
| 1 | 0K84300132 | LOCKING NUT | 2 |
| 2 | 0K84300131 | ADJUSTING NUT | 2 |
| 3 | 0K84300129 | ROCKER ARM | 2 |
| 4 | 0K84300130 | ROCKER ARM BOLT | 2 |
| 5 | 0K84300148 | PUSHROD | 2 |
| 6 | 0K84300183 | TAPPET | 2 |
| 7 | 0K84300184 | CAMSHAFT | 1 |
| 8 | 0K84300145 | INTAKE VALVE | 1 |
| 9 | 0K84300149 | EXHAUST VALVE | 1 |
| 10 | 0K84300150 | VALVE OIL SEAL | 2 |
| 11 | 0K84300146 | VALVE SPRING | 2 |
| 12 | 0K84300126 | INTAKE VALVE RETAINER | 1 |
| 13 | 0K84300127 | EXHAUST VALVE RETAINER | 1 |
| 14 | 0K84300128 | EXHAUST VALVE ROTATOR | 1 |

RECOIL STARTER ASSEMBLY



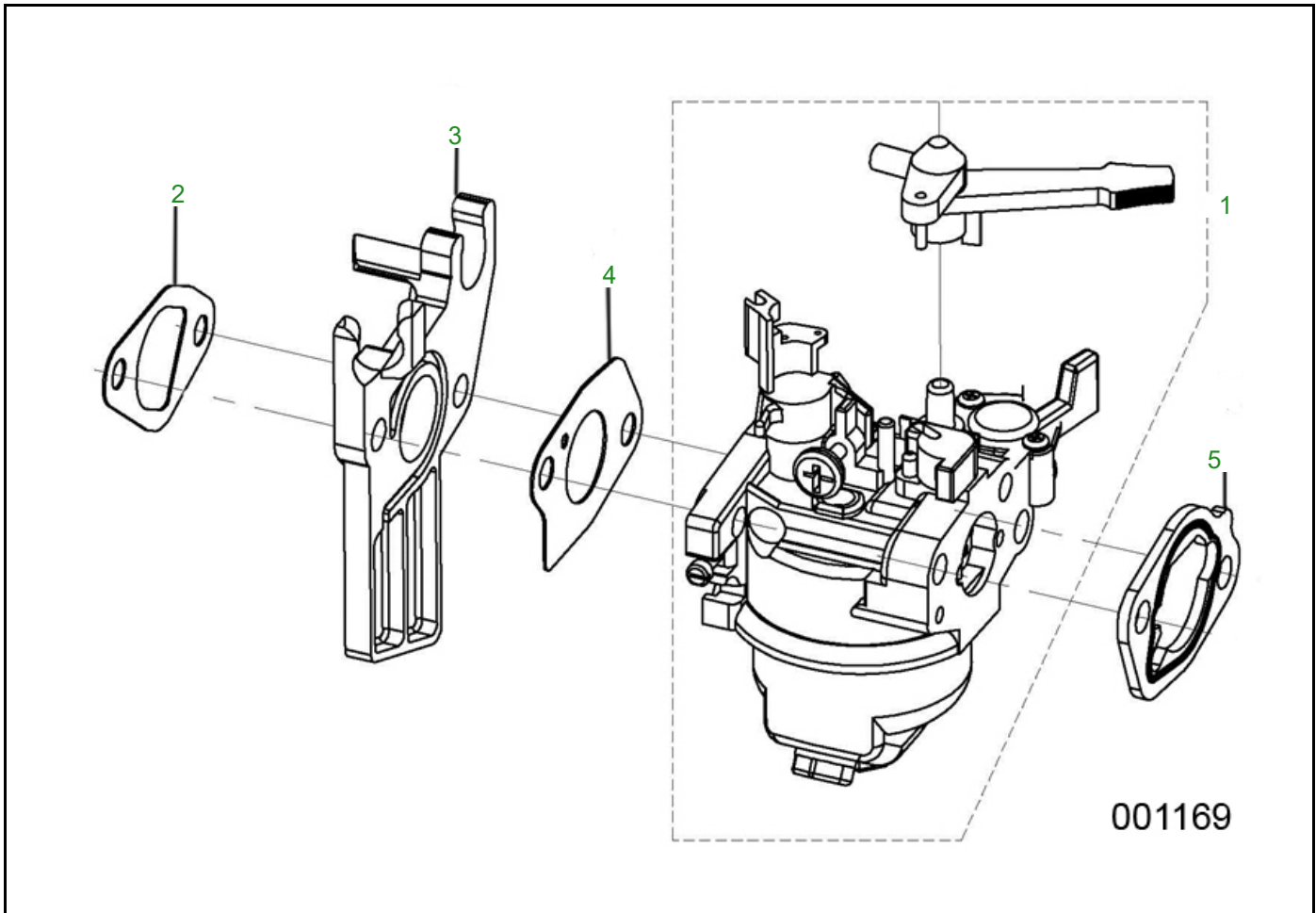
| ITEM | PART NO. | DESCRIPTION | QTY |
|------|------------|-------------------------|-----|
| 1 | 0K84300112 | FLANGE BOLT (M6X12) | 4 |
| 2 | 0K84300188 | RECOIL STARTER ASSEMBLY | 1 |
| 3 | 0K84300113 | FLANGE BOLT(M6X8) | 4 |
| 4 | 0K84300161 | BLOWER HOUSING | 1 |
| 5 | 0K84300140 | FLAMEOUT SWITCH | 1 |

DIVERSION ASSEMBLY



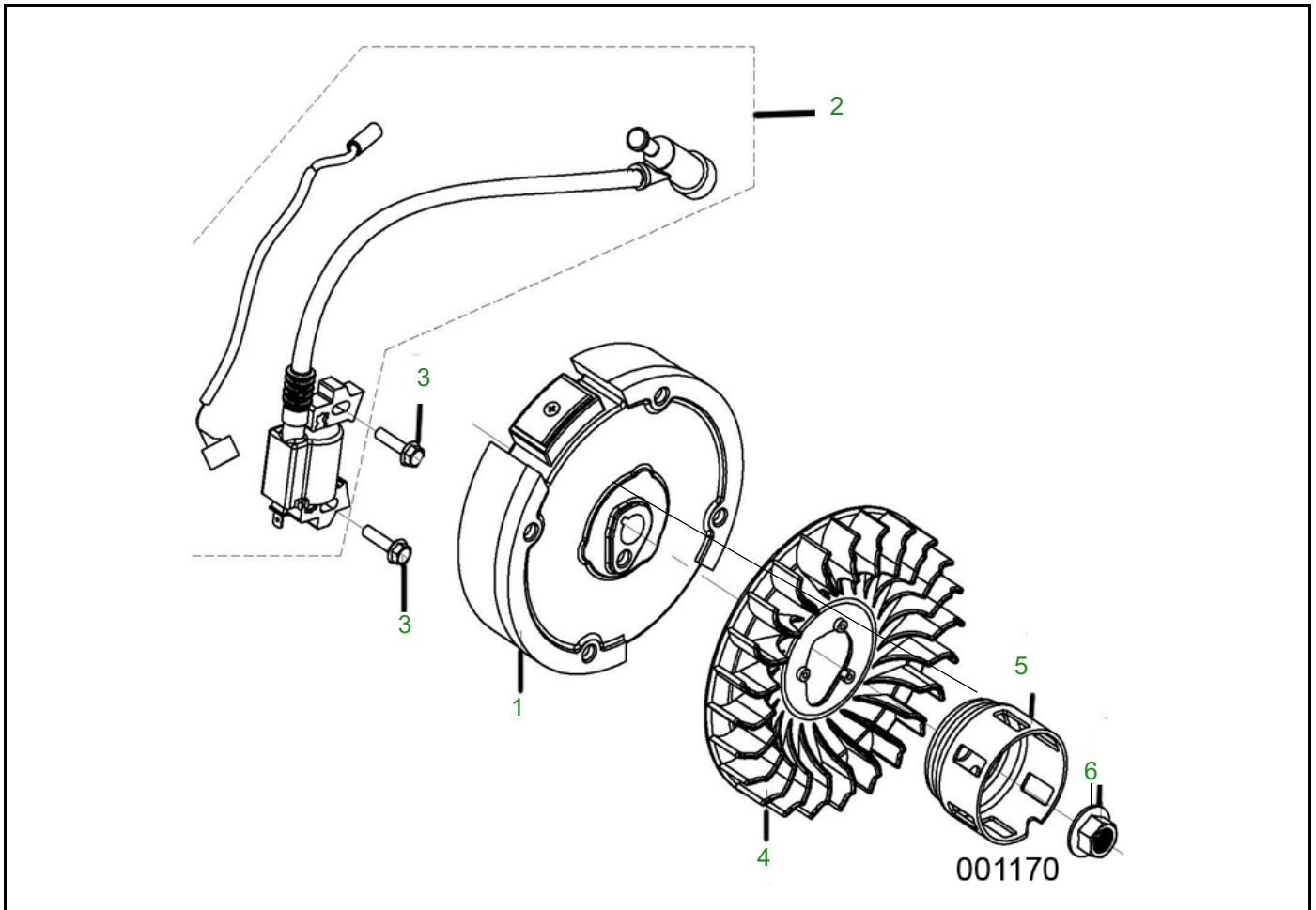
| ITEM | PART NO. | DESCRIPTION | QTY |
|------|------------|----------------------|-----|
| 1 | 0K84300113 | FLANGE BOLT (M6X8) | 2 |
| 2 | 0K84300162 | LOWER AIR GUIDE | 1 |
| 3 | 0K84300163 | RIGHT HALF AIR GUIDE | 1 |
| 4 | 0K84300114 | FLANGE BOLT (M6X20) | 1 |

CARBURETOR ASSEMBLY



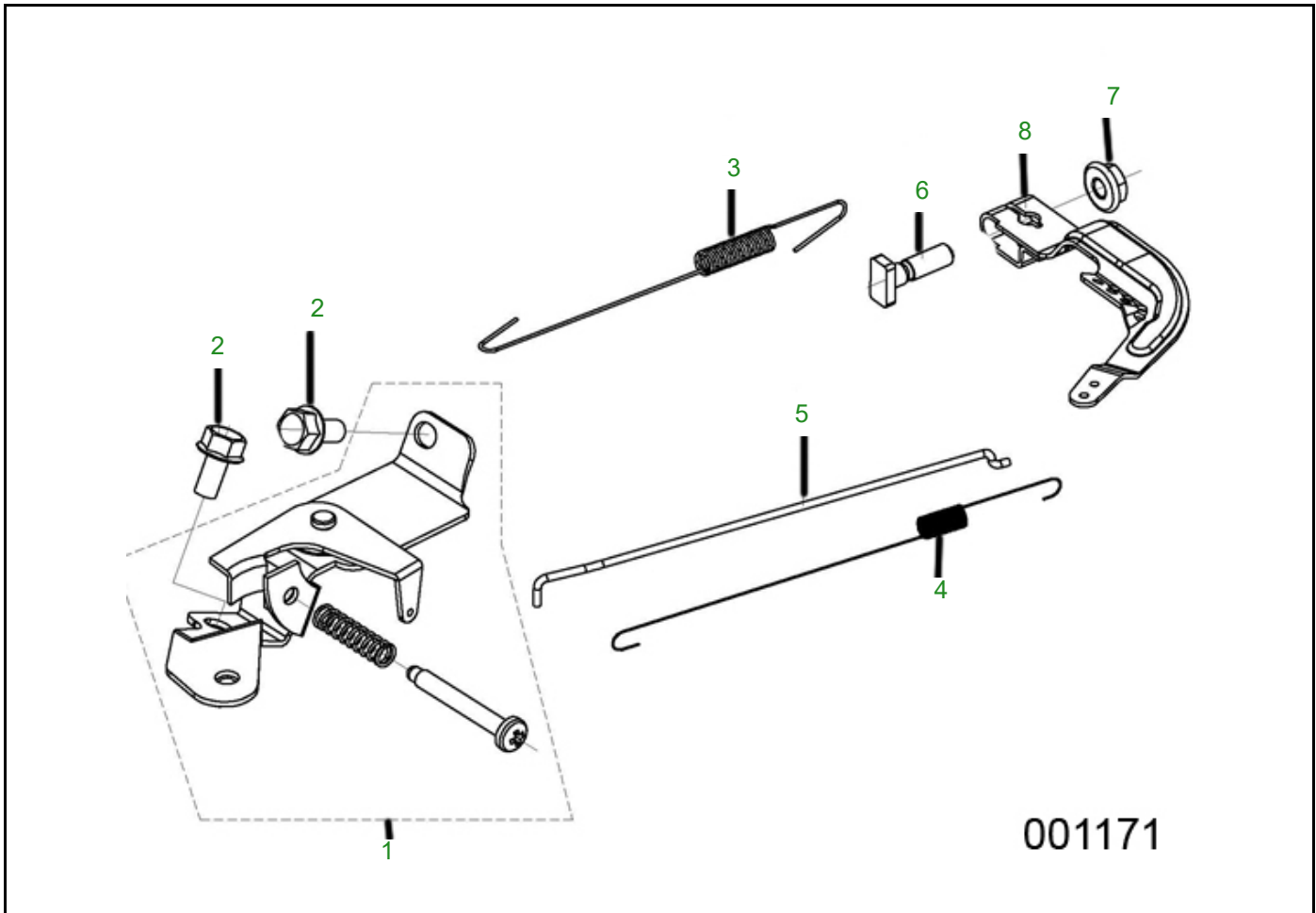
| ITEM | PART NO. | DESCRIPTION | QTY |
|------|------------|-----------------------------|-----|
| 1 | 0K84300190 | CARBURETOR ASSEMBLY | 1 |
| 2 | 0K84300176 | CARBURETOR INSULATOR GASKET | 1 |
| 3 | 0K84300175 | CARBURETOR INSULATOR | 1 |
| 4 | 0K84300177 | CARBURETOR GASKET | 1 |
| 5 | 0K84300165 | AIR CLEANER GASKET | 1 |

FLYWHEEL/IGNITION COIL ASSEMBLY



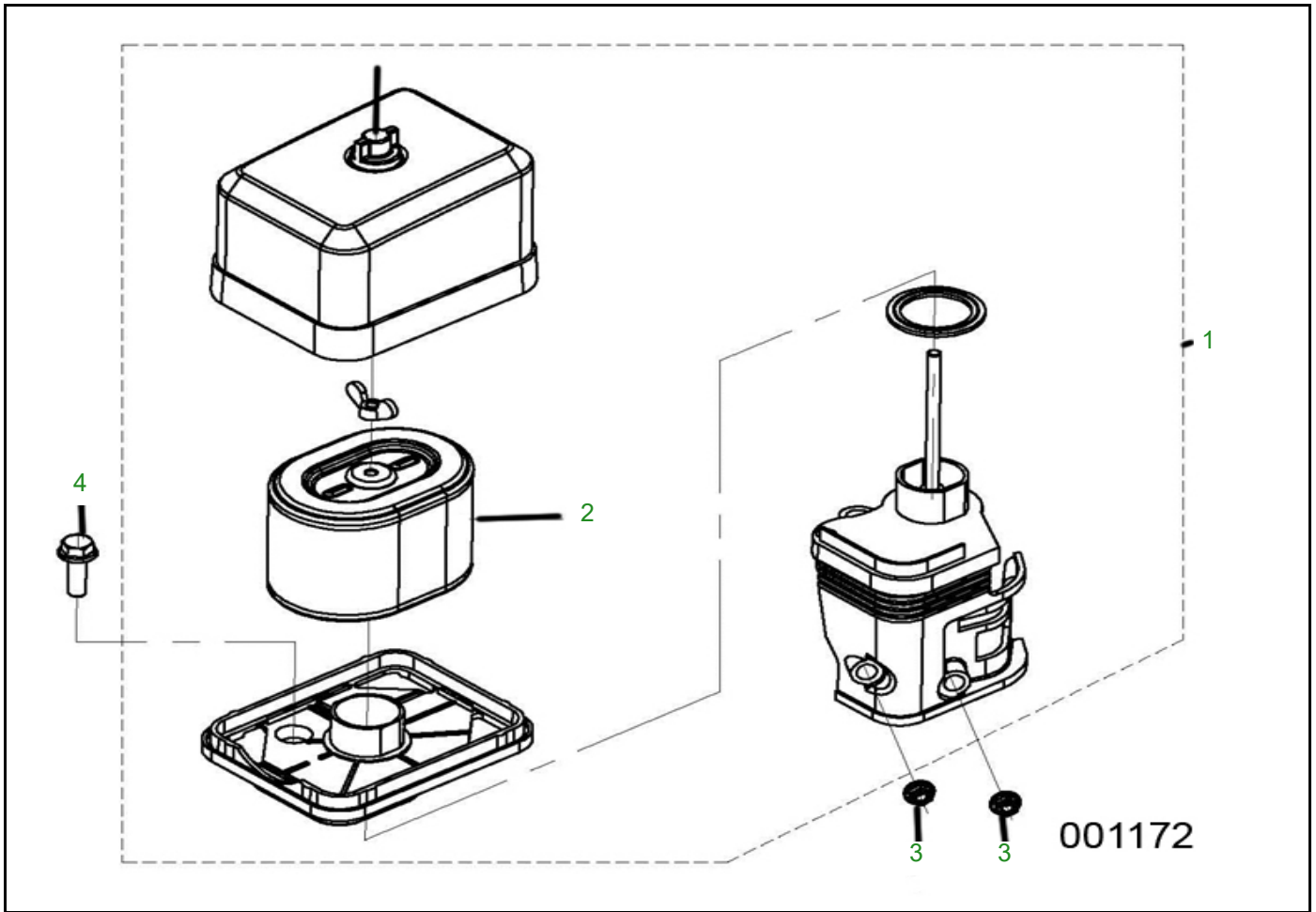
| ITEM | PART NO. | DESCRIPTION | QTY |
|------|------------|------------------------|-----|
| 1 | 0K84300173 | FLYWHEEL | 1 |
| 2 | 0K84300174 | IGNITION COIL ASSEMBLY | 1 |
| 3 | 0K84300194 | FLANGE BOLT (M6X25) | 2 |
| 4 | 0K84300160 | COOLING FAN | 1 |
| 5 | 0K84300156 | STARTER PULLEY | 1 |
| 6 | 0K84300133 | CRANKSHAFT NUT. | 1 |

CONTROL SYSTEM



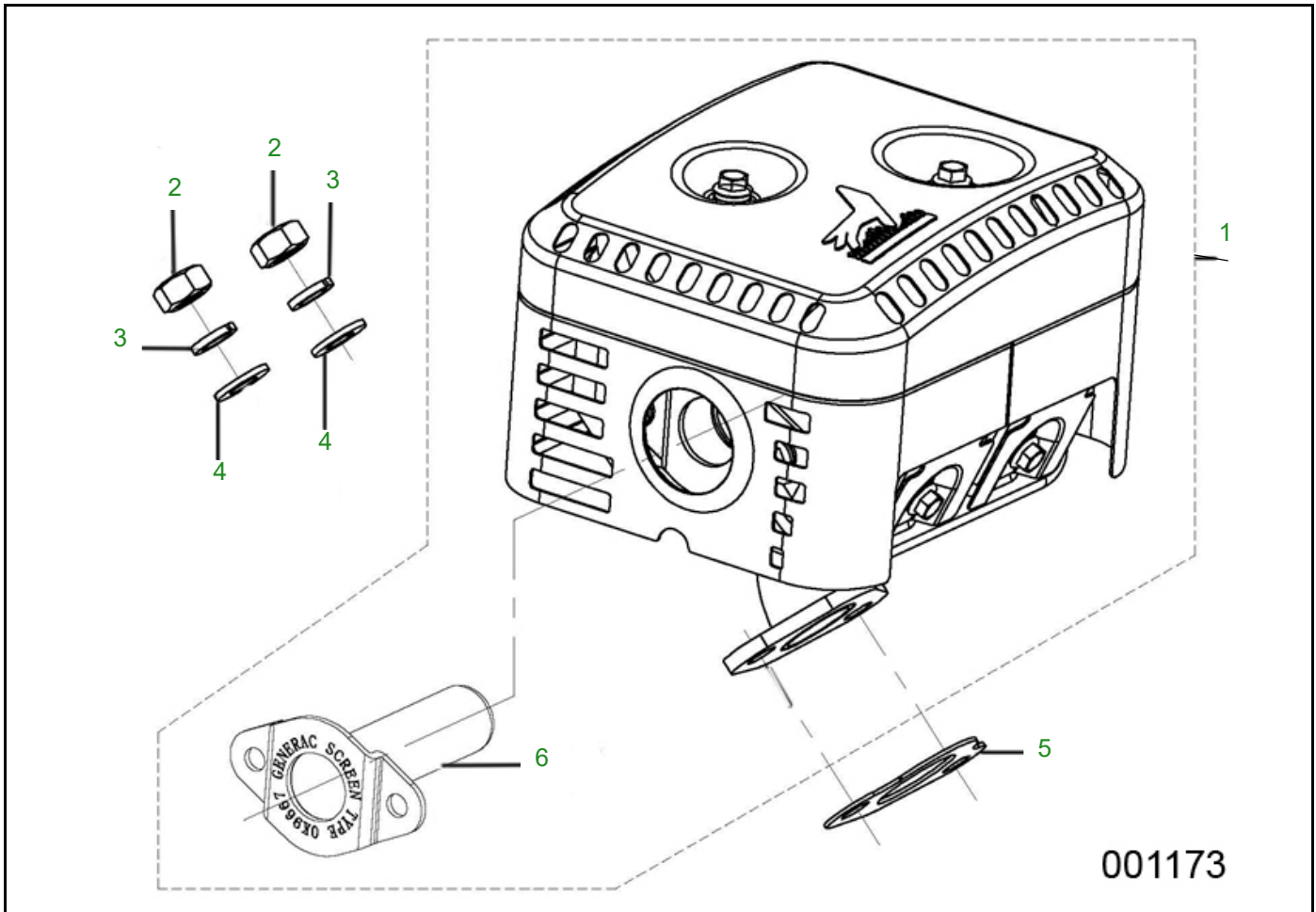
| ITEM | PART NO. | DESCRIPTION | QTY |
|------|------------|-------------------------|-----|
| 1 | 0K84300172 | GOVERNOR CONTROL SYSTEM | 1 |
| 2 | 0K84300112 | FLANGE BOLT (M6X12) | 2 |
| 3 | 0K84300171 | GOVERNOR SPRING | 1 |
| 4 | 0K84300169 | THROTTLE RETURN SPRING | 1 |
| 5 | 0K84300170 | GOVERNOR ROD | 1 |
| 6 | 0K84300137 | GOVERNOR ARM BOLT | 1 |
| 7 | 0K84300136 | FLANGE NUT (M6) | 1 |
| 8 | 0K84300115 | GOVERNOR ARM | 1 |

AIR CLEANER ASSEMBLY



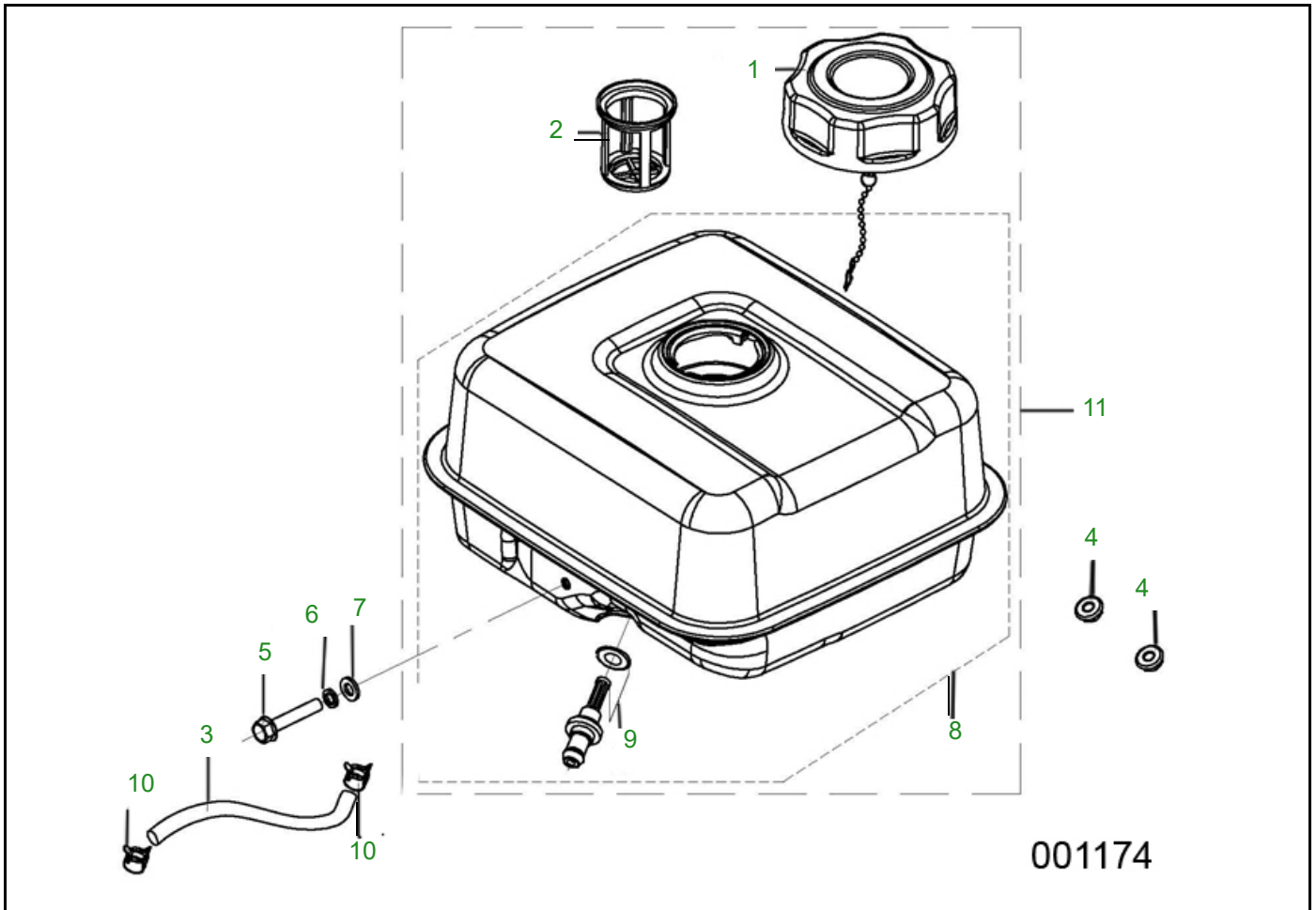
| ITEM | PART NO. | DESCRIPTION | QTY |
|------|------------|----------------------|-----|
| 1 | 0K84300164 | AIR CLEANER ASSEMBLY | 1 |
| 2 | 0K84300168 | AIR CLEANER ELEMENT | 1 |
| 3 | 0K84300136 | FLANGE NUT (M6) | 2 |
| 4 | 0K84300114 | FLANGE BOLT (M6X20) | 1 |

MUFFLER ASSEMBLY



| ITEM | PART NO. | DESCRIPTION | QTY |
|------|------------|------------------------|-----|
| 1 | 0K84300167 | MUFFLER | 1 |
| 2 | 0K84300198 | HEXAGON THICK NUT (M8) | 2 |
| 3 | 0K84300202 | SPRING WASHER | 2 |
| 4 | 0K84300200 | FLAT WASHER | 2 |
| 5 | 0K84300166 | MUFFLER GASKET | 1 |
| 6 | 0K9667 | SPARK ARRESTOR | 1 |

FUEL TANK ASSEMBLY



| ITEM | PART NO. | DESCRIPTION | QTY |
|------|------------|------------------------------|-----|
| 1 | 0K84300189 | FUEL CAP | 1 |
| 2 | 0K84300158 | FUEL FILTER | 1 |
| 3 | 0K84300116 | FUEL PIPE | 1 |
| 4 | 0K84300199 | FLANGE LOCKING NUT (M6) | 2 |
| 5 | 0K84300195 | FLANGE BOLT (M6X33) | 1 |
| 6 | 0K84300201 | SPRING WASHER | 1 |
| 7 | 0K84300203 | FLAT WASHER | 1 |
| 8 | 0K84300159 | COMPLETE FUEL TANK | 1 |
| 9 | 0K84300120 | FUEL PIPE CONNECTOR ASSEMBLY | 1 |
| 10 | 0K84300119 | CLAMP | 2 |
| 11 | 0K84300157 | FUEL TANK ASSEMBLY | 1 |