



Engine Parts Manual

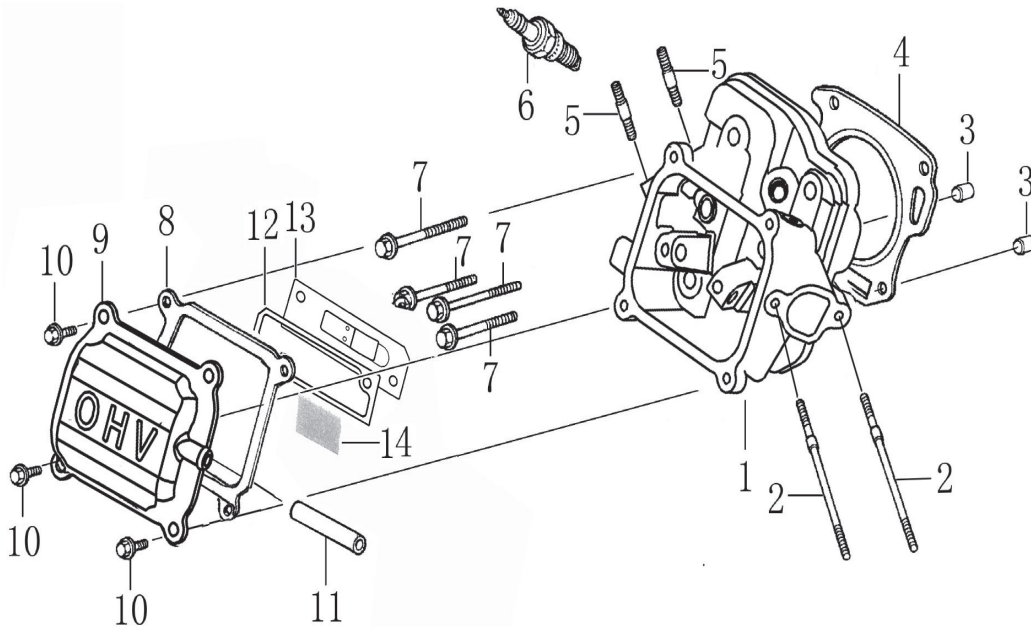
212cc (G19)

NOTICE!

The information in this manual is known to be accurate as of the date of release shown on the cover. However, engineering changes can occur without notice. To obtain the proper parts, please be sure to use the serial number of the unit being serviced when ordering from this manual. Always refer to any parts notes and changes before ordering. All other parts not shown in this manual can be found on Generac's exploded view drawings online on GENservice at www.generac.com.

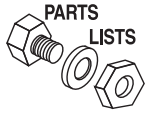
www.generac.com or 1-888-436-3722

Cylinder Head

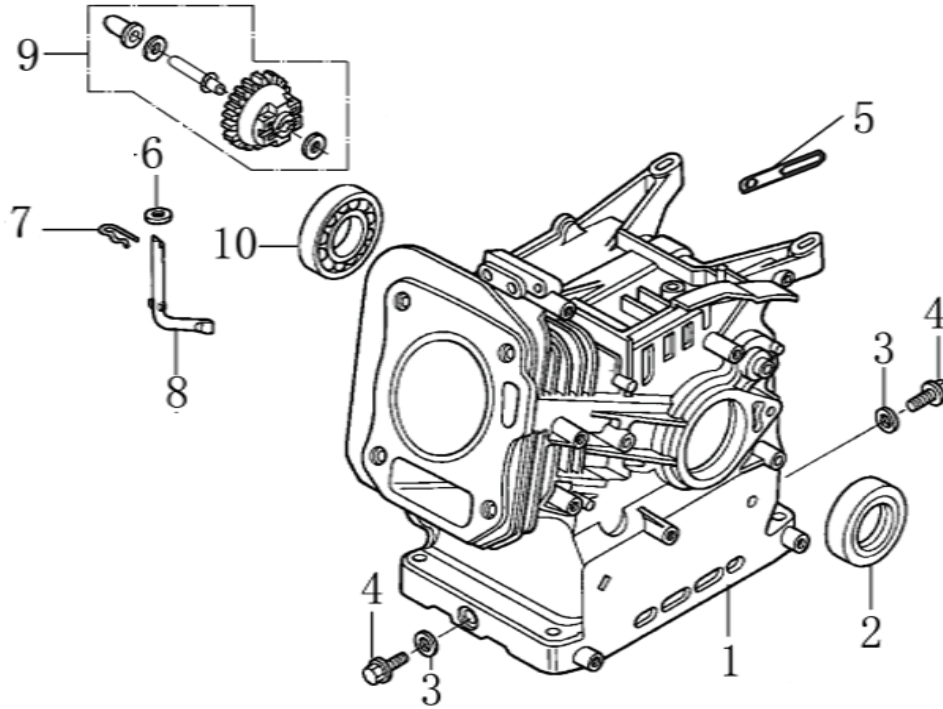


ITEM	PART NO.	QTY.	DESCRIPTION
1	0J88870101	1	CYLINDER HEAD
2	0J35220159	2	INTAKE STUDS
3	0J35220165	2	DOWEL PIN
4	0K10430110	1	CYLINDER HEAD GASKET
5	0G84420210	2	EXHAUST STUDS
6	0J00620106	1	SPARK PLUG
7	0J35220158	4	FLANGE HEAD BOLT (M8X60)
8	0J88870103	1	HEAD COVER GASKET
9	0J88870104	1	HEAD COVER
10	0G84420217	4	FLANGE BOLT (M6X14)
11	0J88870105	1	BREATHER TUBE
12	0J88870107	1	BREATHER CHAMBER GASKET
13	0J88870106	1	BREATHER CHAMBER CAP
14	0J88870108	1	OIL STRAINER

212cc ENGINE

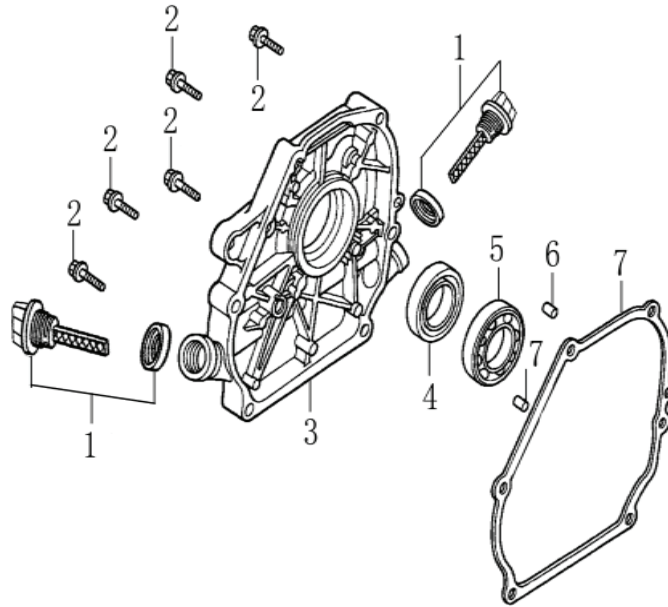


Crankcase



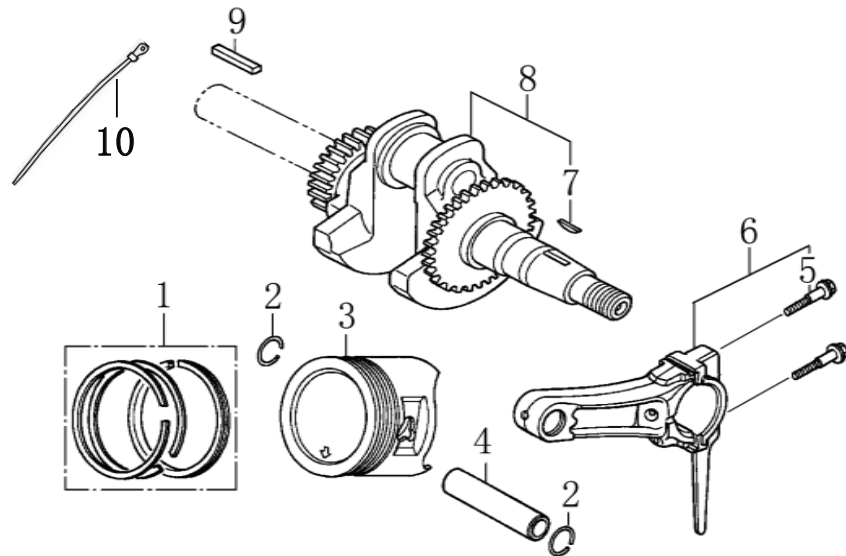
ITEM	PART NO.	QTY.	DESCRIPTION
1	0K44430110	1	CRANK CASE-212CC
2	0J35220166	1	OIL SEAL (25X41.25X6)
3	0J35220164	2	DRAIN PLUG WASHER
4	0J35220111	2	DRAIN PLUG BOLT
5	0J35250337	1	CABLE CLEAT
6	0J47870118	1	PLAIN WASHER
7	0G84420219	1	LOCK PIN
8	0J47870119	1	GOVERNOR ARM SHAFT
9	0J88870110	1	GOVERNOR GEAR ASSEMBLY
10	0J35230139	1	RADIAL BALL BEARING

Crankcase Cover



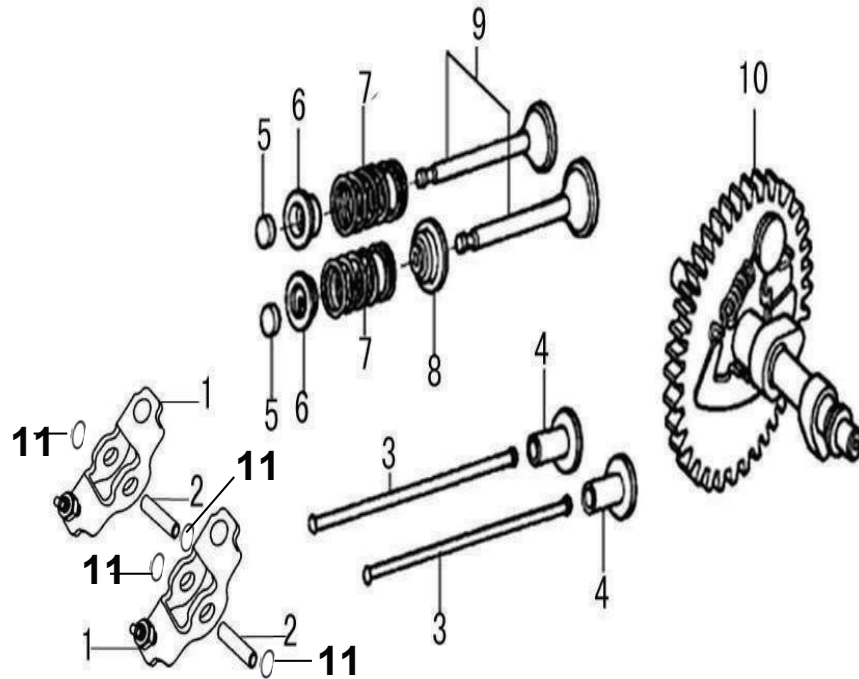
ITEM	PART NO.	QTY.	DESCRIPTION
1	0J35230110	2	DIPSTICK CAP ASSEMBLY
2	0J35230136	6	FLANGE BOLT
3	0J88870111	1	CRANKCASE COVER
4	0J35220166	1	OIL SEAL (25X41.25X6)
5	0J35230139	1	RADIAL BALL BEARING
6	0J35230138	2	DOWEL PIN
7	0J88870112	1	CRANKCASE COVER GASKET

Crankshaft and Piston



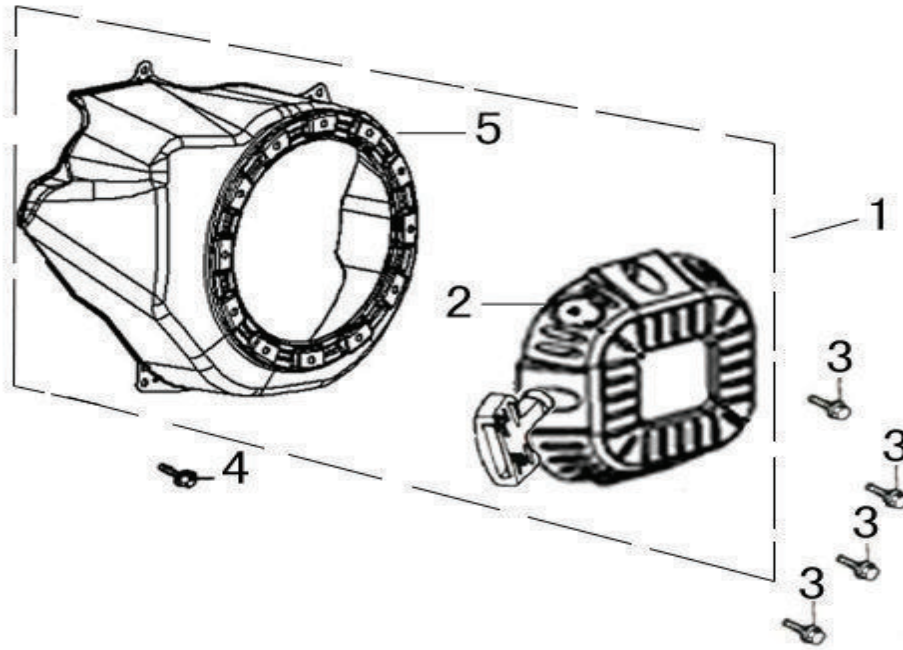
ITEM	PART NO.	QTY.	DESCRIPTION
1	0K10430113	1	PISTON RING SET
2	0J47870127	2	PISTON PIN CIRCLIP
3	0K10430114	1	PISTON
4	0J47870129	1	PISTON PIN
5	0J47870130	2	CONNECTING ROD BOLT
6	0J47870131	1	CONNECTING ROD ASSEMBLY
7	0G84420119	1	SPECIAL WOODRUFF KEY
8	0K10430115	1	CRANKSHAFT ASSEMBLY
9	0J88870117	1	CRANKSHAFT KEY
10	0H95590122	1	HOOP STRIP

Rocker and Camshaft



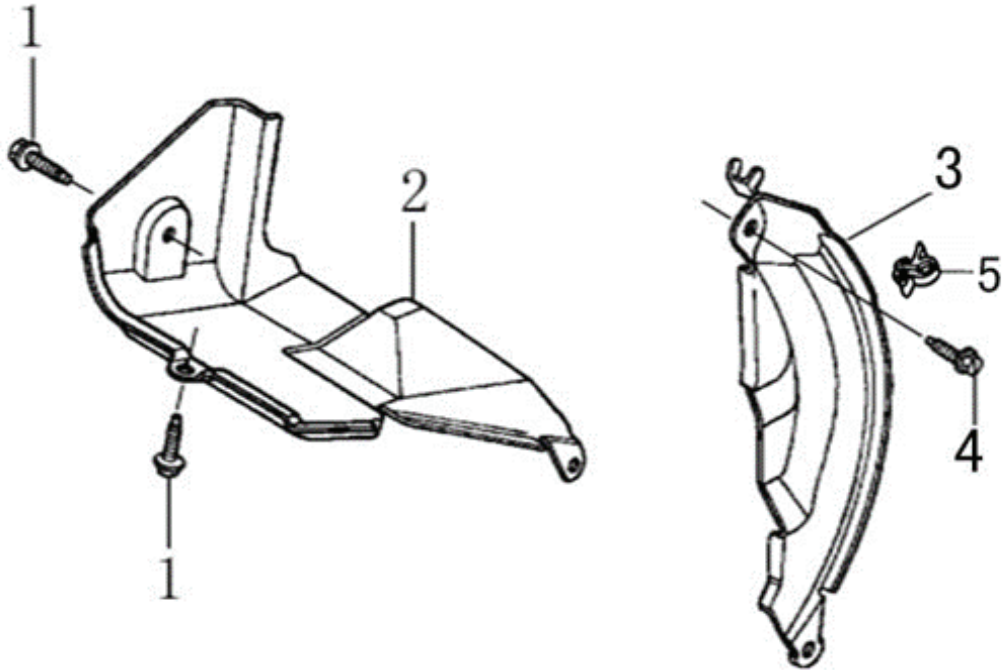
ITEM	PART NO.	QTY.	DESCRIPTION
1	0J88870120	2	ROCKER ARM
2	0J88870119	2	ROCKER ARM SHAFT
3	0J88870121	2	PUSHROD
4	0J35220122	2	TAPPET
5	0J35230114	2	ROTATOR VALVE
6	0J35220118	2	VALVE SPRING SEAT
7	0J35220117	2	VALVE SPRING
8	0J35220119	1	GUIDE SEAL
9	0J35230140	1	VALVE SET
10	0J47870133	1	CAMSHAFT ASSEMBLY
11	0J47870133	4	SPLIT WASHERS

Starter



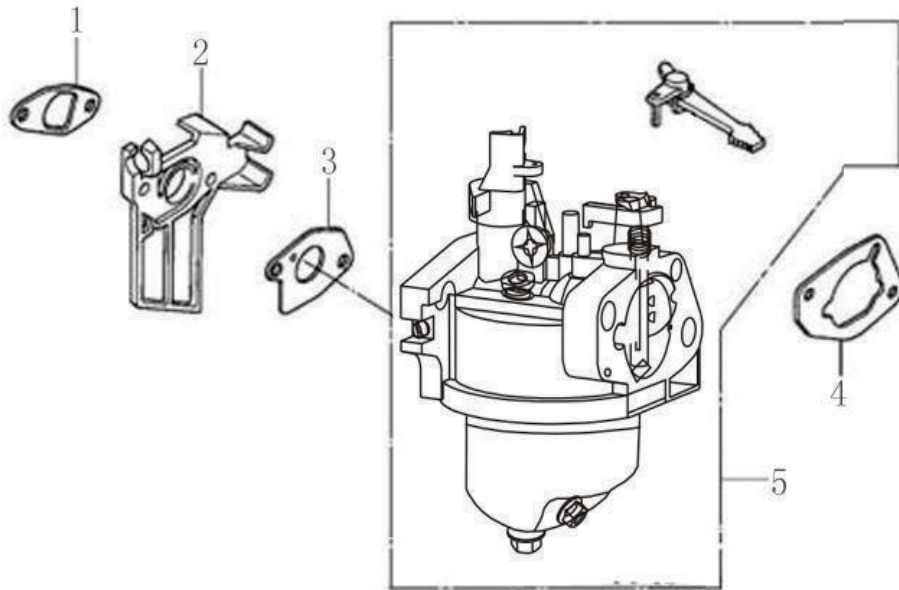
ITEM	PART NO.	QTY.	DESCRIPTION
1	0K55140110	1	RECOIL STARTER WITH HOUSING
2	0K40510117	1	RECOIL STARTER ASSEMBLY
3	0G84420241	4	FLANGE BOLT (M6X8)
4	0J35220157	4	FLANGE BOLT (M6X10)
5	0K55140111	1	BLOWER HOUSING

Shrouds



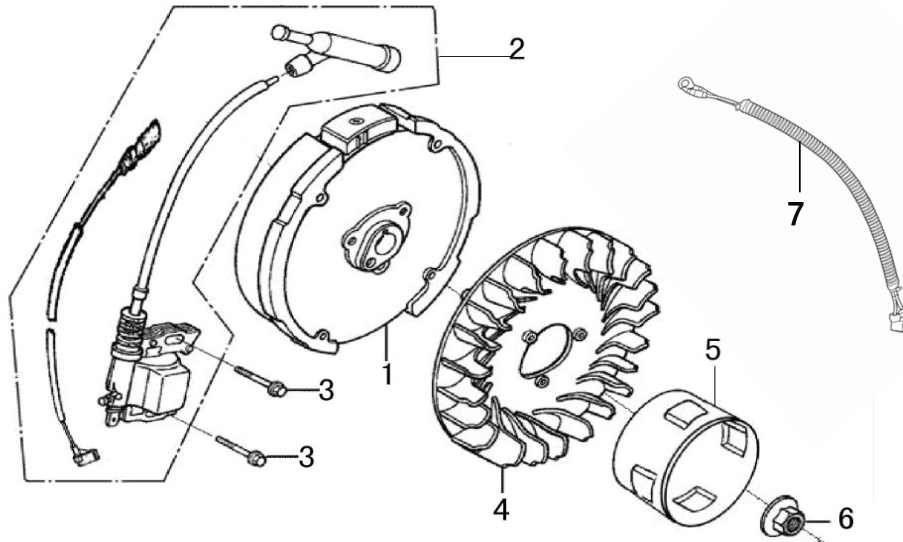
ITEM	PART NO.	QTY.	DESCRIPTION
1	0G84420241	2	BOLT, FLANGE 6x8
2	0J35230118	1	SHROUD
3	0K40510113	1	PLATE, SIDE
4	0J35220156	1	BOLT, FLANGE, 6x20
5	0J35220172	1	LOCATION CABLE CLIP

Carburetor



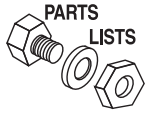
ITEM	PART NO.	QTY.	DESCRIPTION
1	0J35220128	1	INSULATOR GASKET
2	0K49010110	1	CARBURETOR INSULATOR
3	0J35220127	1	CARBURETOR GASKET
4	0J35220129	1	AIR CLEANER GASKET
5	0K10460114	1	CARBURETOR

Flywheel

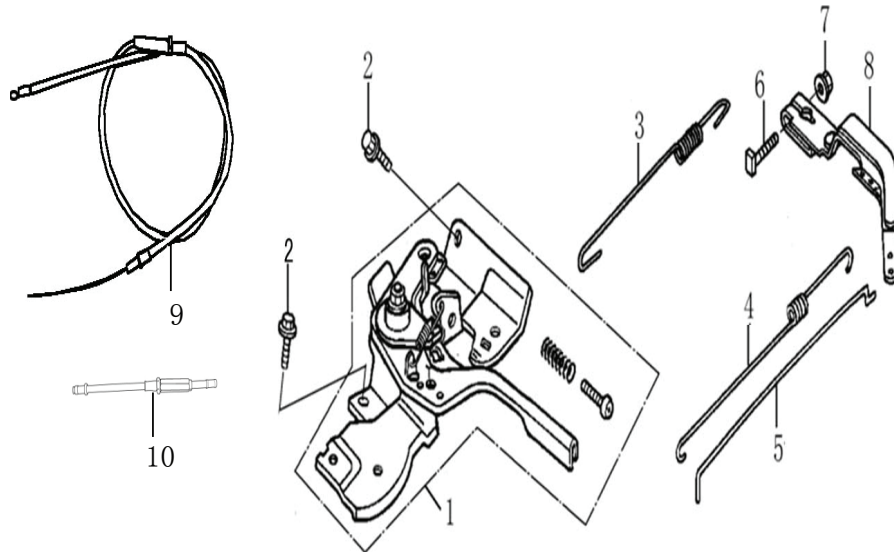


ITEM	PART NO.	QTY.	DESCRIPTION
1	0H95610115	1	FLYWHEEL
2	0J35220153	1	IGNITION COIL ASSEMBLY
3	0G84420268	2	FLANGE BOLT (M6X25)
4	0J35230117	1	COOLING FAN
5	0K10430121	1	STARTER PULLEY
6	0J35220162	1	SPECIAL NUT
7	0K6205	1	STOP SWITCH CORD

212cc ENGINE

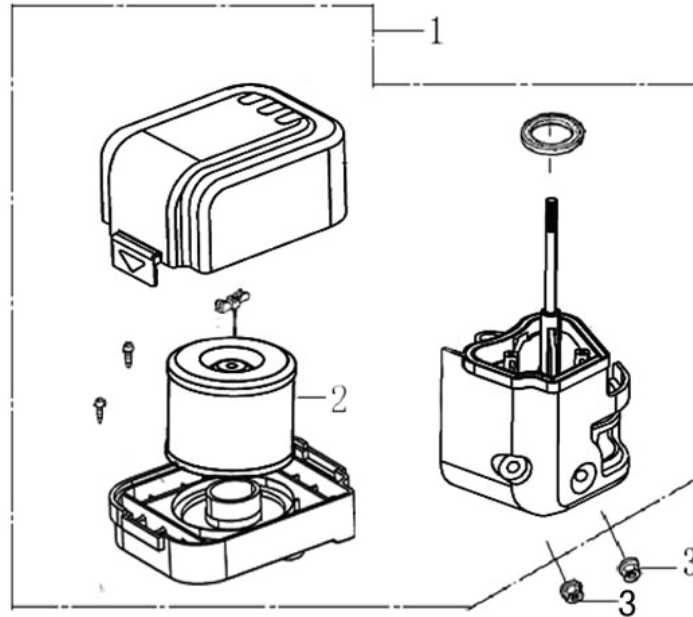


Control



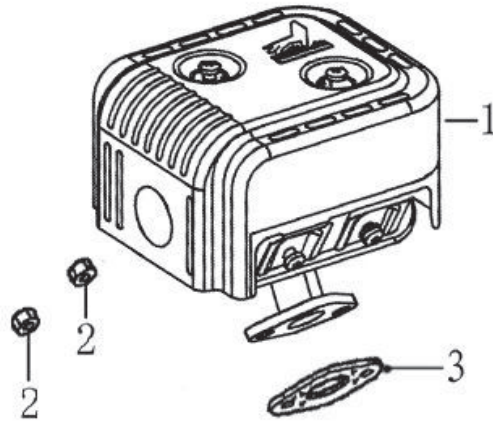
ITEM	PART NO.	QTY.	DESCRIPTION
1	0K10460115	1	CONTROL ASSEMBLY
2	0J35220157	2	FLANGE BOLT
3	0J35220136	1	GOVERNOR SPRING
4	0J35220137	1	THROTTLE RETURN SPRING
5	0H95590116	1	GOVERNOR ROD
6	0G84420197	1	BOLT, GOVERNOR ARM M6x21
7	0G84420272	1	FLANGE NUT
8	0J35220138	1	GOVERNOR ARM
9	0K0443	1	CHOKE CABLE ASSEMBLY
10	0K55140112	1	DRIVE PIPE

Air Cleaner



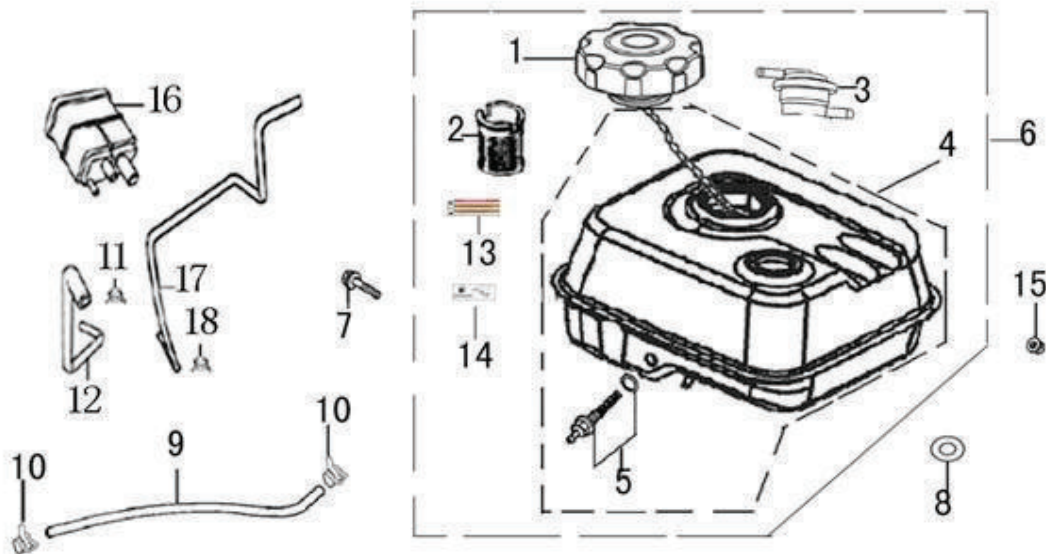
ITEM	PART NO.	QTY.	DESCRIPTION
1	OK10460119	1	AIR CLEANER ASSEMBLY
2	OJ88870125	1	AIR CLEANER ELEMENT
3	OG84420272	2	FLANGE NUT (6MM)

Muffler



ITEM	PART NO.	QTY.	DESCRIPTION
1	0K10470100	1	MUFFLER ASSEMBLY
2	0J35220161	2	HEXAGON NUT
3	0J35220144	1	MUFFLER GASKET
NOT SHOWN	0K1851	1	SPARK ARRESTOR

Fuel Tank



ITEM	PART NO.	QTY.	DESCRIPTION
1	0J88870127	1	FUEL FILLER CAP
2	0J35220133	1	FUEL FILTER
3	0J88870128	1	ROLL-OVER VALVE
4	0K10430122	1	FUEL TANK
5	0J35220132	1	FUEL TANK JOINT ASSEMBLY
6	0J88870129	1	FUEL TANK ASSEMBLY
7	0G84420268	1	FLANGE BOLT (M6X25)
8	0J35220171	2	RUBBER WASHER
9	0K10460120	1	FUEL HOSE
10	0J88870130	2	HOSE CLAMP
11	0J88870132	1	HOSE CLAMP
12	0K10470102	1	HOSE (ROLL-OVER VALVE TO CARBON CANISTER)
13	N/A	1	WARNING MARK
14	N/A	1	REMINDER MARK
15	0G84420272	2	FLANGE NUT
16	0K10470101	1	CARBON CANISTER ASSEMBLY
17	0J35220147	1	PREFORMED HOSE (AIR CLEANER TO CARBON CANISTER)
18	0J35220174	1	HOSE CLAMP