



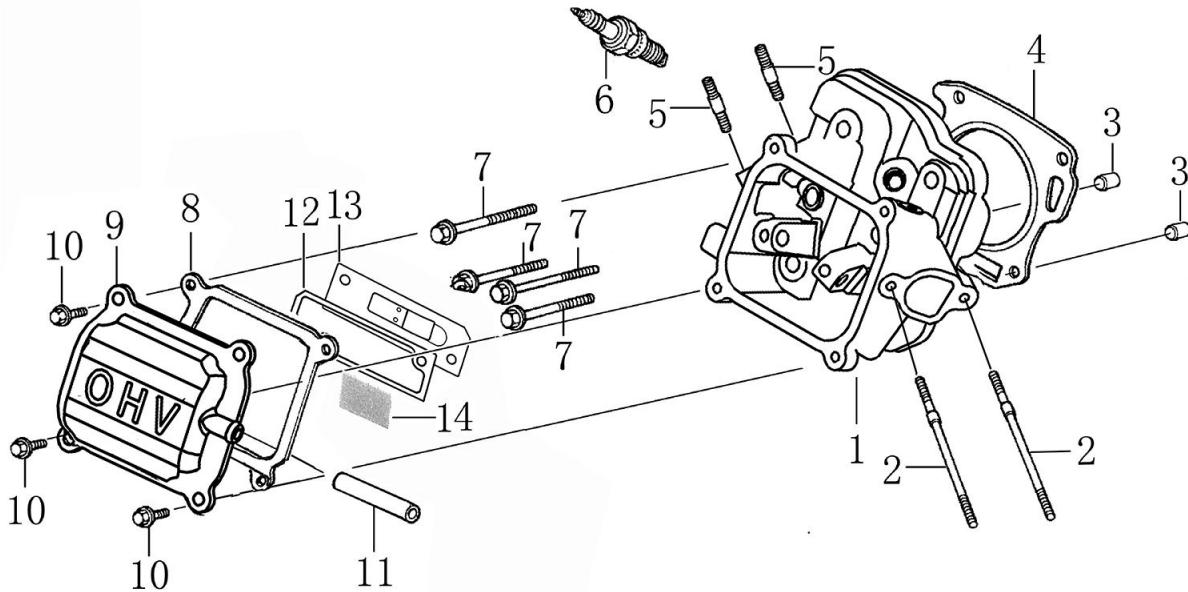
Engine Parts Manual

196cc (G19)

NOTICE!

The information in this manual is known to be accurate as of the date of release shown on the cover. However, engineering changes can occur without notice. To obtain the proper parts, please be sure to use the serial number of the unit being serviced when ordering from this manual. Always refer to any parts notes and changes before ordering. All other parts not shown in this manual can be found on Generac's exploded view drawings online on GENservice at www.generac.com.

Cylinder Head

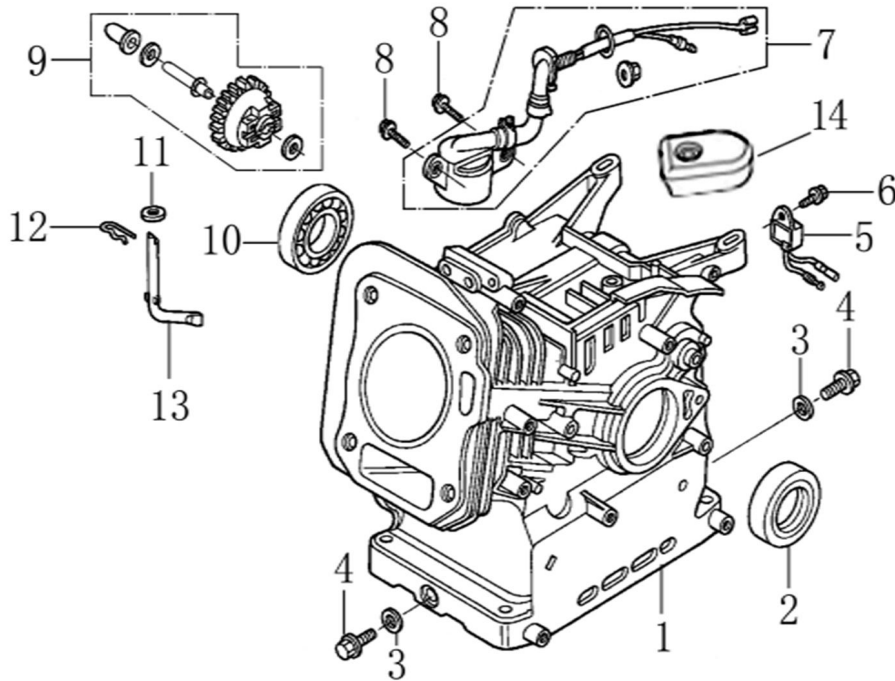


ITEM	PART NO.	QTY.	DESCRIPTION
1	0J88870101	1	HEAD, CYLINDER
2	0J35220159	2	BOLT, STUD,IN.
3	0J35220165	2	PIN, DOWEL
4	0J88870102	1	GASKET, HEAD CYLINDER
5	0G84420210	2	BOLT, STUD , EX.
6	0J00620106	1	PLUG, SPARK
7	0J35220158	4	BOLT, FLANGE
8	0J88870103	1	GASKET, HEAD COVER
9	0J88870104	1	COVER, HEAD
10	0G84420217	4	BOLT, FLANGE
11	0J88870105	1	TUBE, BREATHER
12	0J88870107	1	GASKET, BREATHER CHAMBER
13	0J88870106	1	CAP, BREATHER CHAMBER
14	0J88870108	1	OIL STRAINER
Not Shown	0K229100SM	1	196CC GASOLINE ENG-G19-SM KIT

196cc ENGINE

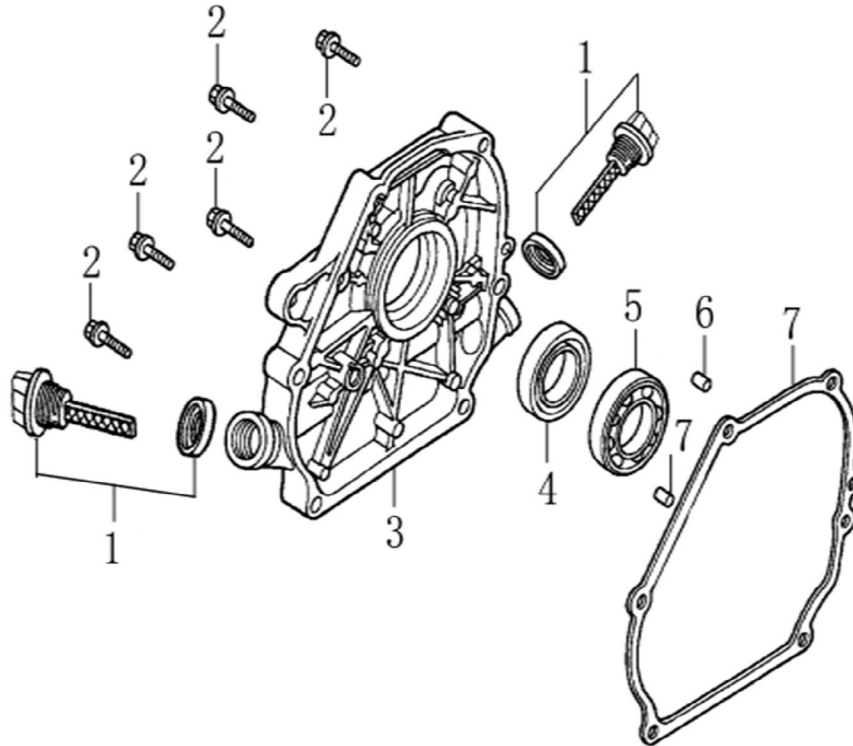


Crankcase



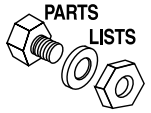
ITEM	PART NO.	QTY.	DESCRIPTION
1	0J88870109	1	CRANK CASE
2	0J35220166	1	OIL SEAL 25x41.25x6
3	0J35220164	2	WASHER, DRAIN PLUG
4	0J35220111	2	BOLT, DRAIN PLUG
5	0G84420112	1	OIL, LOW ALERT UNIT(GOLD)
6	0J35220157	1	BOLT, FLANGE , 6x10
7	0J35220154	1	SWITCH, OIL LEVEL
8	0G84420217	2	BOLT, FLANGE , 6*14
9	0J88870110	1	GOVERNOR GEAR ASSY.
10	0J47870117	1	BEARING, RADIAL BALL
11	0J47870118	1	WASHER, PLAIN
12	0G84420219	1	PIN, LOCK
13	0J47870119	1	SHAFT, GOVERNOR ARM
14	0J88870133	1	COVER, WIRE

Crankcase Cover

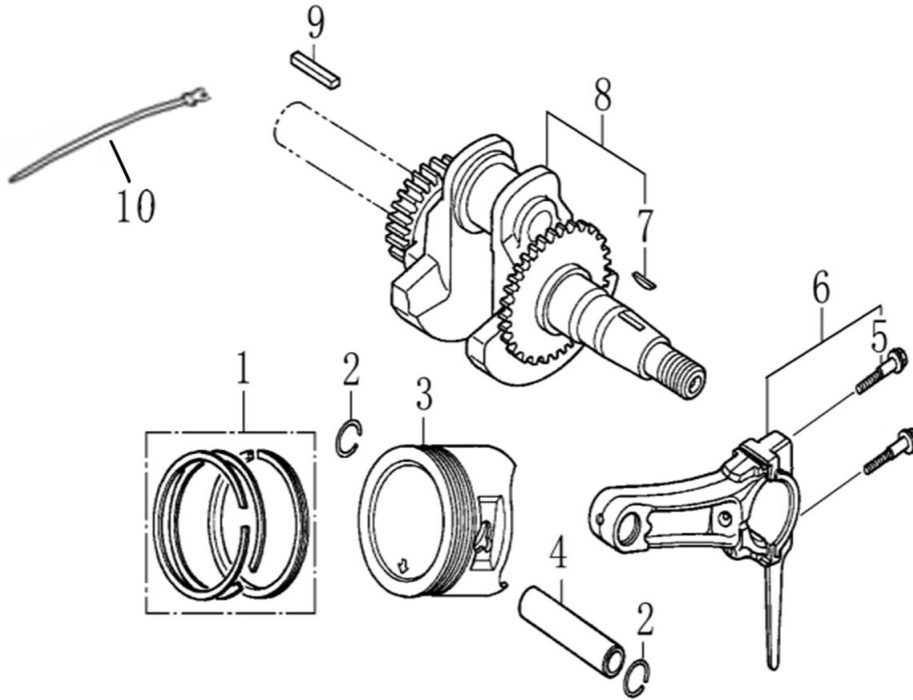


ITEM	PART NO.	QTY.	DESCRIPTION
1	0J35230110	2	CAP ASSY. DIP STICK
2	0J35230136	6	BOLT, FLANGE
3	0J88870111	1	CASE COVER
4	0J35220166	1	OIL SEAL 25x41.25x6
5	0J47870117	1	BEARING, RADIAL BALL
6	0J35230138	2	PIN, DOWEL
7	0J88870112	1	GASKET, CRANK CASE COVER

196cc ENGINE

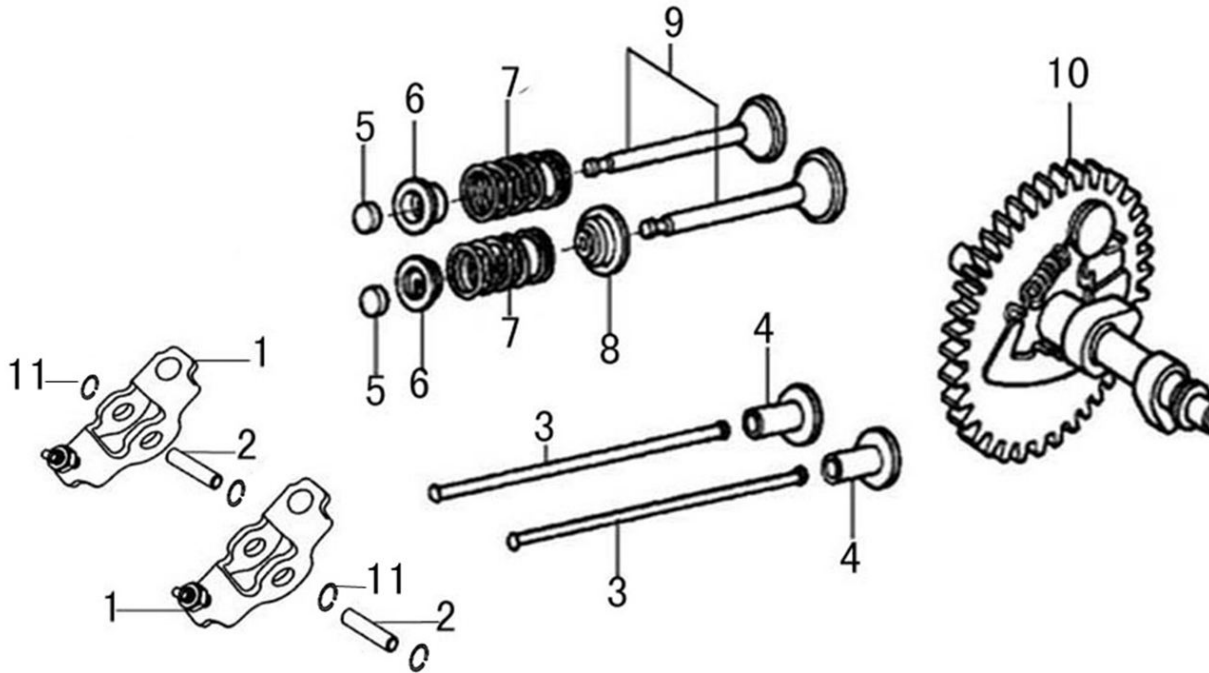


Crankshaft and Piston



ITEM	PART NO.	QTY.	DESCRIPTION
1	0J88870113	1	RING SET
2	0J47870127	2	CLIP, PISTON PIN
3	0J88870114	1	PISTON
4	0J47870129	1	PIN, PISTON
5	0J47870130	2	BOLT, CONNECTING ROD
6	0J88870115	1	ROD ASSY., CONNECTING
7	0G84420119	1	KEY
8	0J88870116	1	CRANKSHAFT COMP
9	0J88870117	1	KEY
10	029333A	1	TIE WRAP UL 7.4"X .19" BLK

Rocker and Camshaft

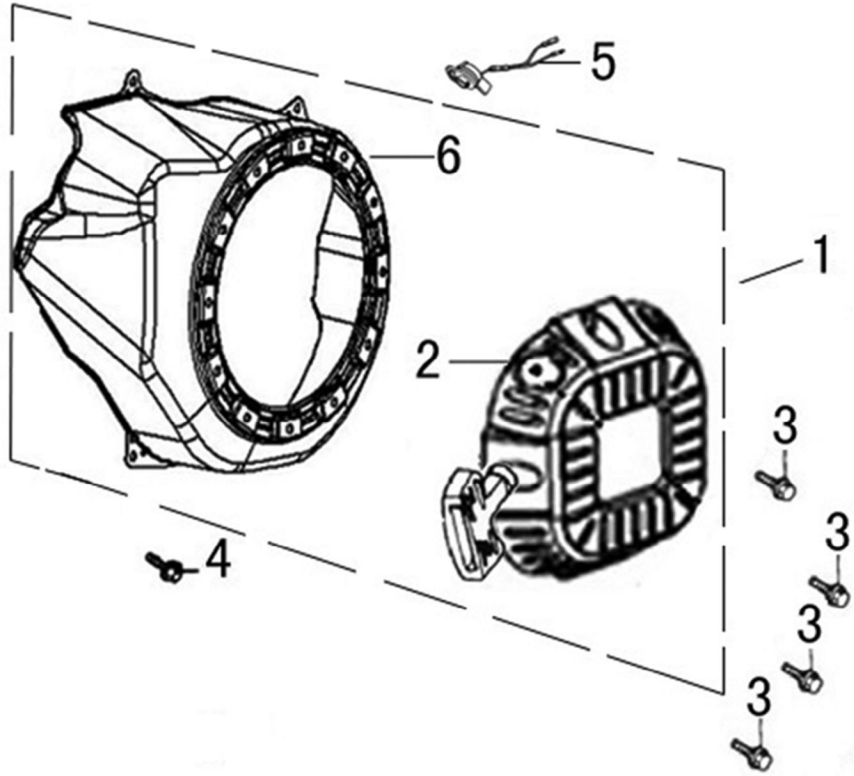


ITEM	PART NO.	QTY.	DESCRIPTION
1	0J88870120	2	ROCKER ARM
2	0J88870119	2	VALVE ROCKER SHAFT
3	0J88870121	2	ROD, PUSH
4	0J35220122	2	LIFTER VALVE
5	0J35230114	2	ROTATOR, VALVE
6	0J35220118	2	RETAINER, VALVE SPRING
7	0J35220117	2	SPRING , VALVE
8	0J35220119	1	SEAL, GUIDE
9	0J35230140	1	VALVES,INTAKE&EXHAUST SET OF 2
10	0J47870133	1	CAMSHAFT ASSY.
11	0K10430117	4	SPLIT WASHER

196cc ENGINE

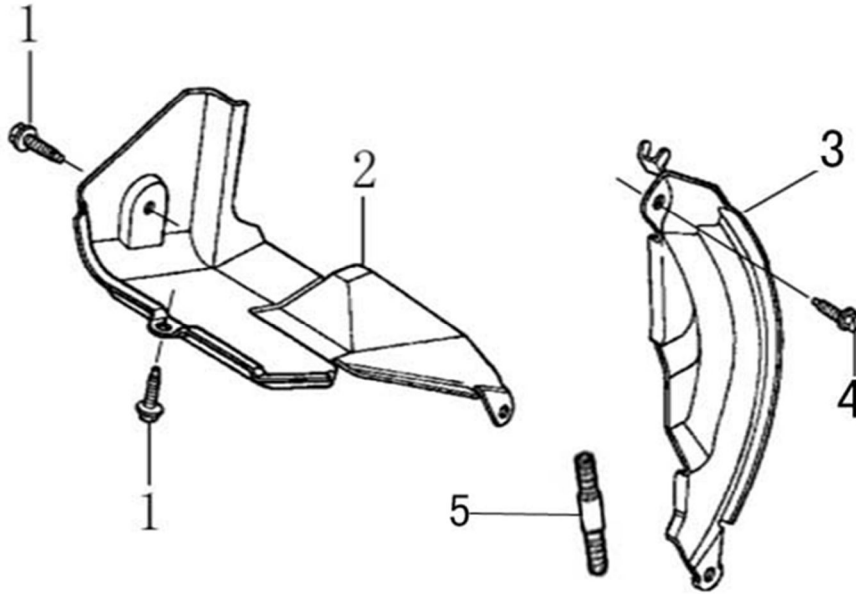


Starter



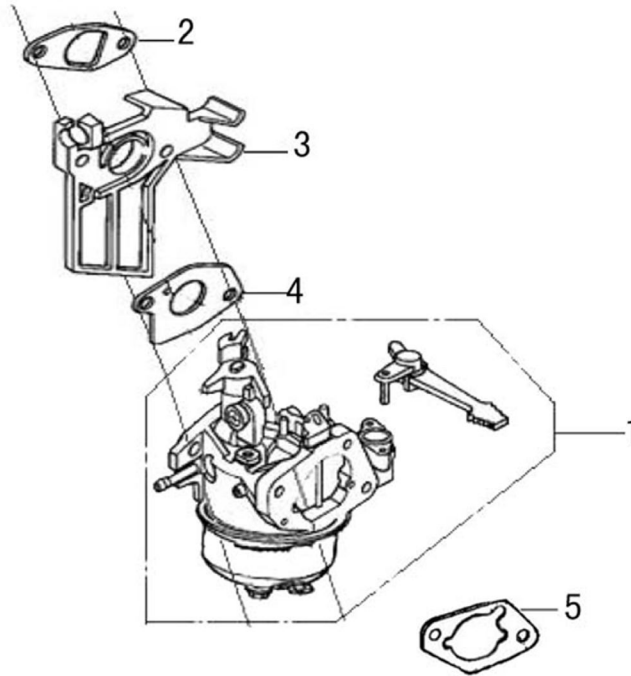
ITEM	PART NO.	QTY.	DESCRIPTION
1	0J352330141	1	RECOIL STARTER W/ BLOWER HSING
2	0J0807	1	STARTER ASSY.
3	0G84420241	4	BOLT, FLANGE 6x8
4	0J35220157	4	BOLT, FLANGE 6x10
5	0G9911	1	SWITCH ASSY., ENGINE STOP
6	0H95590123	1	BLOWER HOUSING

Shrouds



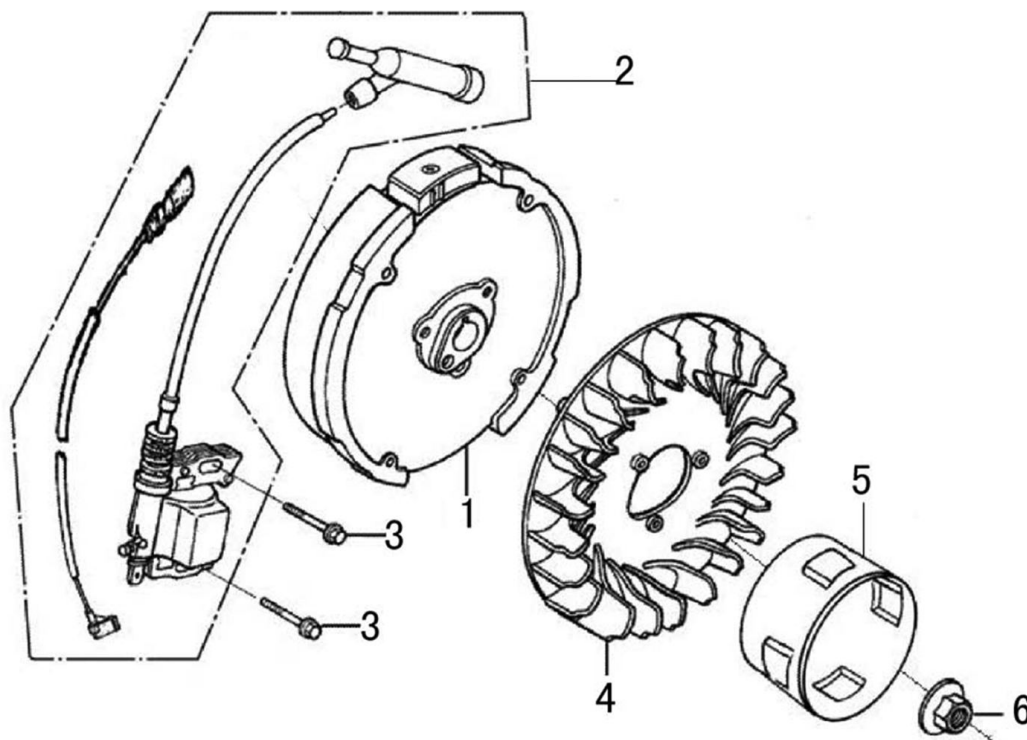
ITEM	PART NO.	QTY.	DESCRIPTION
1	0G84420241	2	BOLT, FLANGE 6x8
2	0J47870113	1	PLATE, AIR GUIDE
3	0J35220125	1	PLATE, SIDE
4	0J35220156	1	BOLT, FLANGE , 6x20
5	0J35220160	1	BOLT, STUD

Carburetor



ITEM	PART NO.	QTY.	DESCRIPTION
1	0J88870123	1	CARBURETOR
2	0J35220128	1	GASKET, INSULATOR
3	0J35220130	1	INSULATOR, CARBURETOR
4	0J35220127	1	GASKET, CARBURETOR
5	0J35220129	1	GASKET, AIR CLEANER

Flywheel

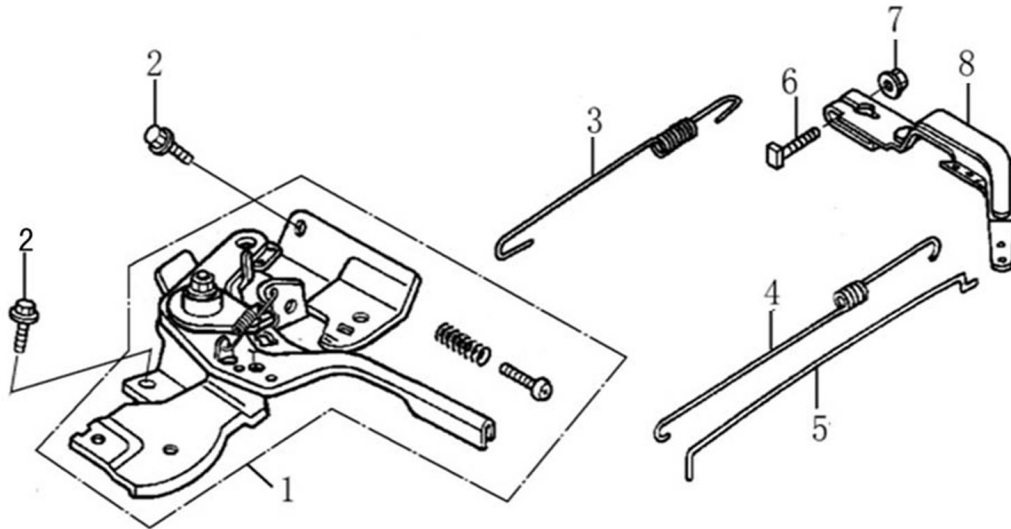


ITEM	PART NO.	QTY.	DESCRIPTION
1	0J35220152	1	FLYWHEEL
2	0J35220153	1	COIL ASSY., IGNITION
3	0G84420268	2	BOLT, FLANGE,6x25
4	0J35220123	1	FAN, COOLING
5	0J35220151	1	PULLEY, STARTER
6	0J35220162	1	NUT, SPECIAL

196cc ENGINE

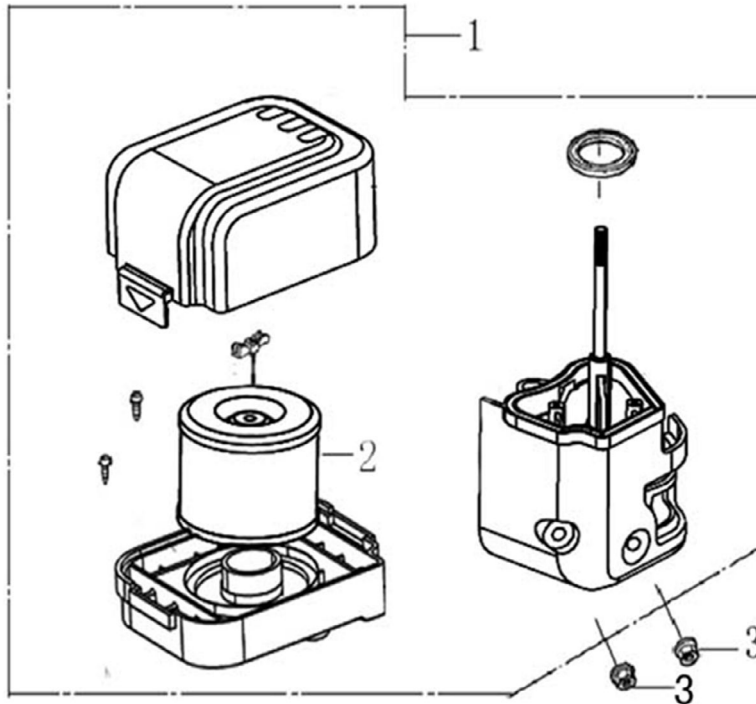


Control



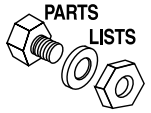
ITEM	PART NO.	QTY.	DESCRIPTION
1	0J35220139	1	CONTROL ASSY.
2	0J35220157	2	BOLT, FLANGE
3	0H95590117	1	SPRING, GOVERNOR
4	0J35220137	1	SPRING, THROTTLE RETURN
5	0H95590116	1	ROD, GOVERNOR
6	0G84420197	1	BOLT,GOVERNOR ARM M6x21
7	0G84420272	1	NUT, FLANGE
8	0J35220138	1	ARM, GOVERNOR

Air Cleaner

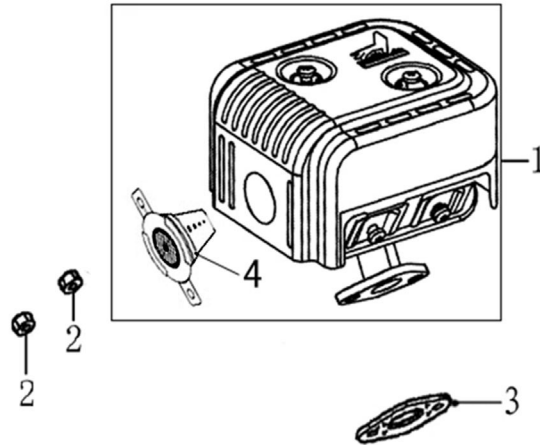


ITEM	PART NO.	QTY.	DESCRIPTION
1	OK10460119	1	AIR CLEANER ASSY
2	OJ88870125	1	ELEMENT ASSY., AIR CLEANER
3	OG84420272	2	NUT , FLANGE , 6MM

196cc ENGINE

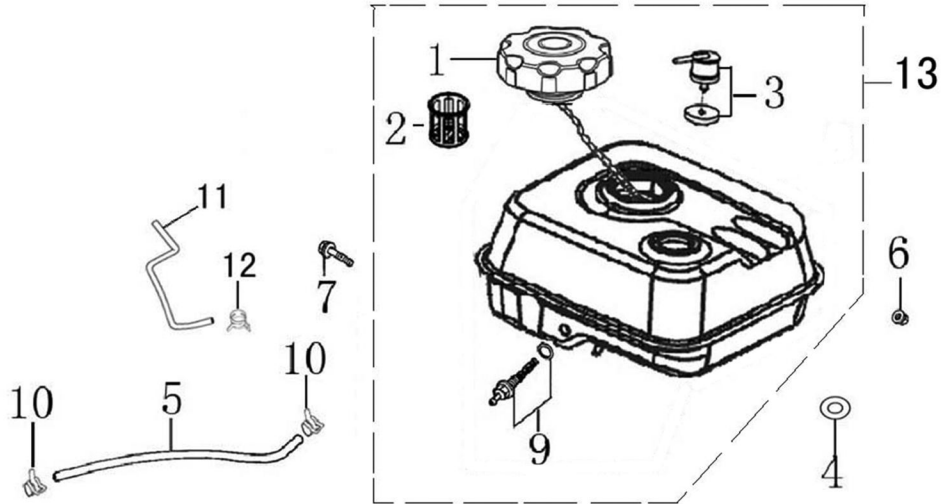


Muffler



ITEM	PART NO.	QTY.	DESCRIPTION
1	0K10470100	1	MUFFLER ASSY.
2	0J35220161	2	NUT, HEX.
3	0J35220144	1	GASKET, MUFFLER
4	0K1851	1	ARRESTER, SPARK

Fuel Tank



ITEM	PART NO.	QTY.	DESCRIPTION
1	0J88870127	1	CAP FUEL FILLER
2	0J35220133	1	FILTER, FUEL
3	0J88870128	1	ROLL OVER VALVE
4	0J35220171	2	WASHER, RUBBER
5	0G9757D	1	HOSE, FUEL
6	0G84420272	2	NUT, FLANGE
7	0G84420268	1	BOLT, FLANGE 6x25
9	0J35220132	1	JOINT ASSY., FUEL TANK
10	0J88870132	2	CLAMP
11	0K10460121	1	HOSE, FORMED
12	0J88870130	1	CLAMP/COLLAR
13	0J88870129	1	TANK ASSY., FUEL W/ROV