



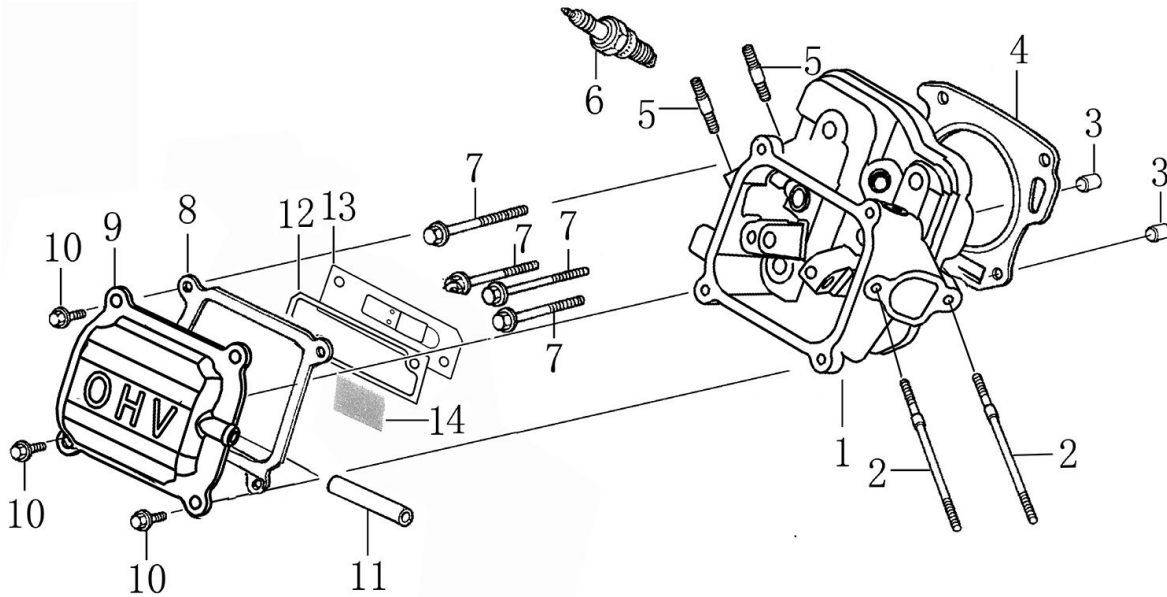
# Engine Parts Manual

## 212cc (G19)

### **NOTICE!**

The information in this manual is known to be accurate as of the date of release shown on the cover. However, engineering changes can occur without notice. To obtain the proper parts, please be sure to use the serial number of the unit being serviced when ordering from this manual. Always refer to any parts notes and changes before ordering. All other parts not shown in this manual can be found on Generac's exploded view drawings online on GENservice at [www.generac.com](http://www.generac.com).

Cylinder Head

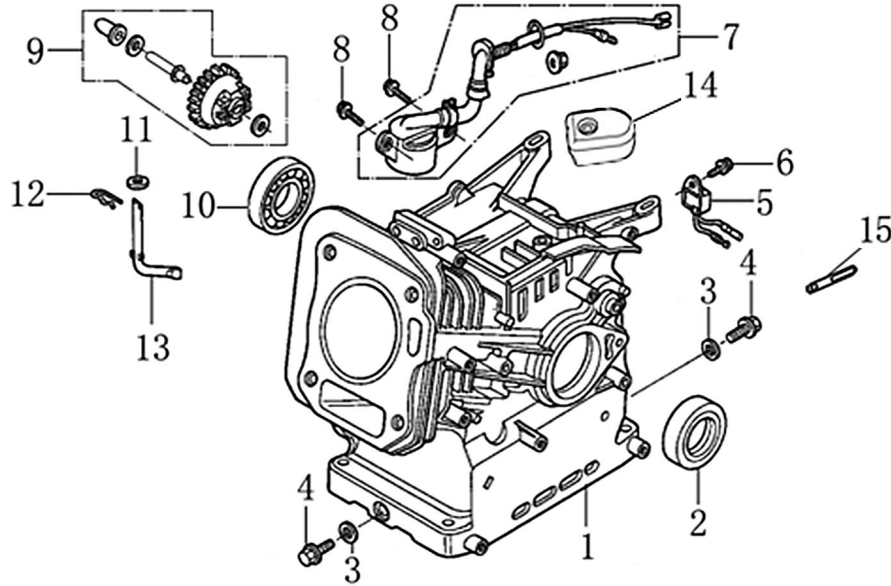


| ITEM      | PART NO.   | QTY. | DESCRIPTION                     |
|-----------|------------|------|---------------------------------|
| 1         | 0J88870101 | 1    | HEAD, CYLINDER                  |
| 2         | 0J35220159 | 2    | BOLT, STUD, IN.                 |
| 3         | 0J35220165 | 2    | PIN, DOWEL                      |
| 4         | 0K10430110 | 1    | GASKET, CYLINDER                |
| 5         | 0G84420210 | 2    | BOLT, STUD, EX.                 |
| 6         | 0J00620106 | 1    | PLUG, SPARK                     |
| 7         | 0J35220158 | 4    | BOLT, FLANGE , 8X60             |
| 8         | 0J88870103 | 1    | GASKET, HEAD COVER              |
| 9         | 0J88870104 | 1    | COVER, HEAD                     |
| 10        | 0G84420217 | 4    | BOLT, FLANGE , 6X14             |
| 11        | 0J88870105 | 1    | TUBE, BREATHER                  |
| 12        | 0J88870107 | 1    | GASKET BREATHER CHAMBER         |
| 13        | 0J88870106 | 1    | CAP, BREATHER CHAMBER           |
| 14        | 0J88870108 | 1    | STRAINER, OIL                   |
| NOT SHOWN | 0K104700SM | 1    | 212CC GASOLINE ENG (G19) SM KIT |

# 212cc ENGINE

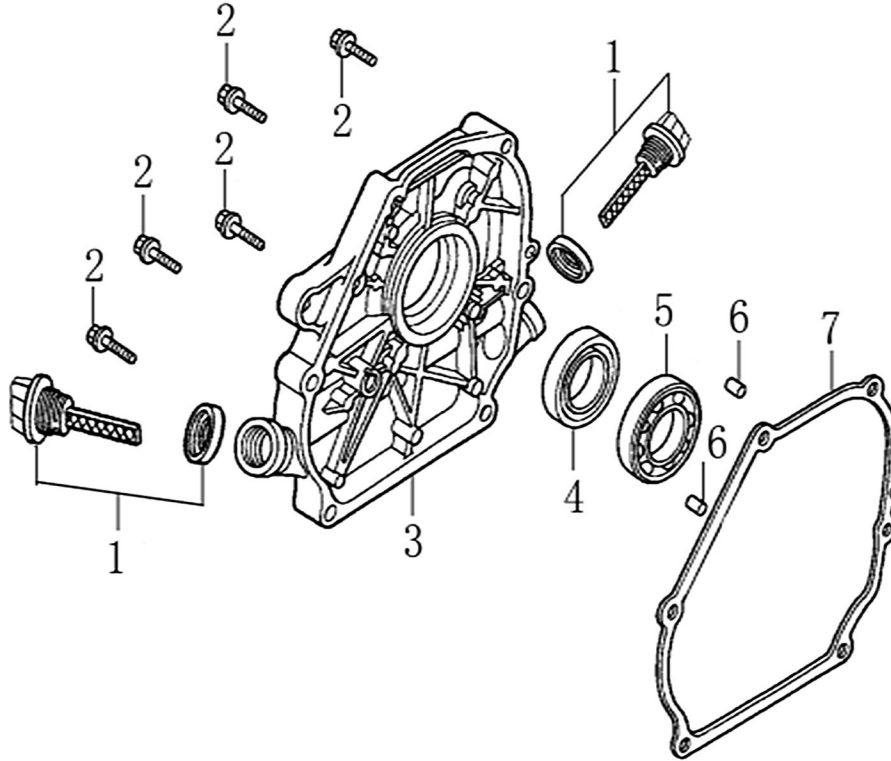


## Crankcase



| ITEM | PART NO.   | QTY. | DESCRIPTION           |
|------|------------|------|-----------------------|
| 1    | OK10430111 | 1    | CRANKCASE             |
| 2    | OJ35220166 | 1    | SEAL, OIL 25x41.25x6  |
| 3    | OJ35220164 | 2    | WASHER, DRAIN PLUG    |
| 4    | OJ35220111 | 2    | BOLT, DRAIN PLUG      |
| 5    | OG84420112 | 1    | ALERT UNIT, OIL       |
| 6    | OJ35220157 | 1    | BOLT, FLANGE , 6X10   |
| 7    | OJ35220154 | 1    | SWITCH, OIL LEVEL     |
| 8    | OG84420217 | 2    | BOLT, FLANGE , 6X14   |
| 9    | OJ88870110 | 1    | GEAR ASSY., GOVERNOR  |
| 10   | OJ35230139 | 1    | BEARING , RADIAL BALL |
| 11   | OJ47870118 | 1    | WASHER, PLAIN         |
| 12   | OG84420219 | 1    | PIN, LOCK             |
| 13   | OJ47870119 | 1    | SHAFT, GOVERNOR ARM   |
| 14   | OJ88870133 | 1    | COVER, WIRE           |
| 15   | OK10460111 | 1    | CABLE CLEAT           |

Crankcase Cover

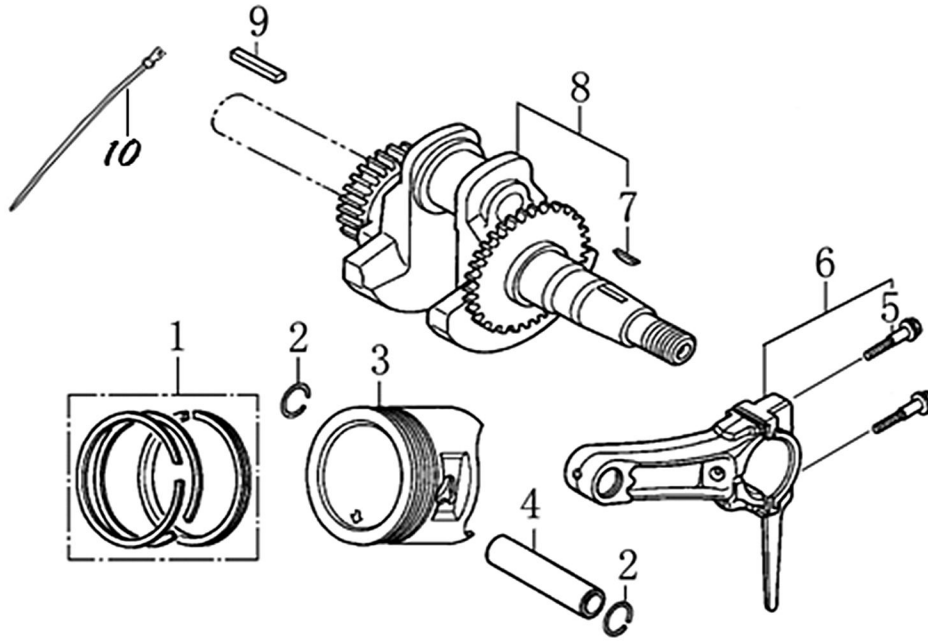


| ITEM | PART NO.   | QTY. | DESCRIPTION            |
|------|------------|------|------------------------|
| 1    | 0J35230110 | 2    | GAUGE ASSY., OIL LEVEL |
| 2    | 0J35230136 | 6    | BOLT, FLANGE           |
| 3    | 0J88870111 | 1    | COVER, CASE            |
| 4    | 0J35220166 | 1    | SEAL, OIL 5x41.25x6    |
| 5    | 0J35230139 | 1    | BEARING, RADIAL BALL   |
| 6    | 0J35230138 | 2    | PIN, DOWEL             |
| 7    | 0J88870112 | 1    | GASKET, CASE COVER     |

# 212cc ENGINE

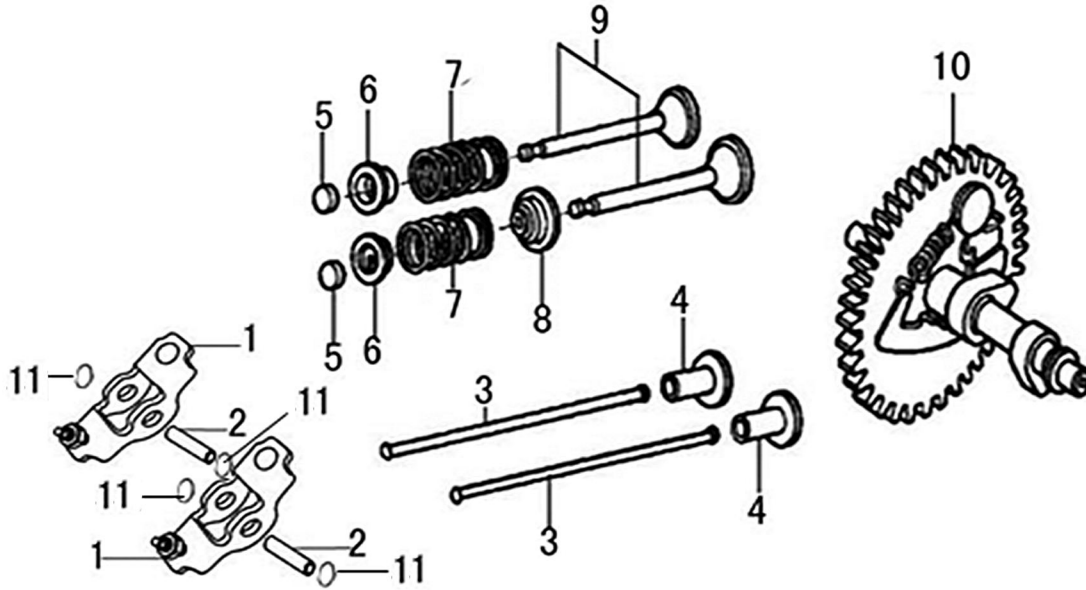


## Crankshaft and Piston



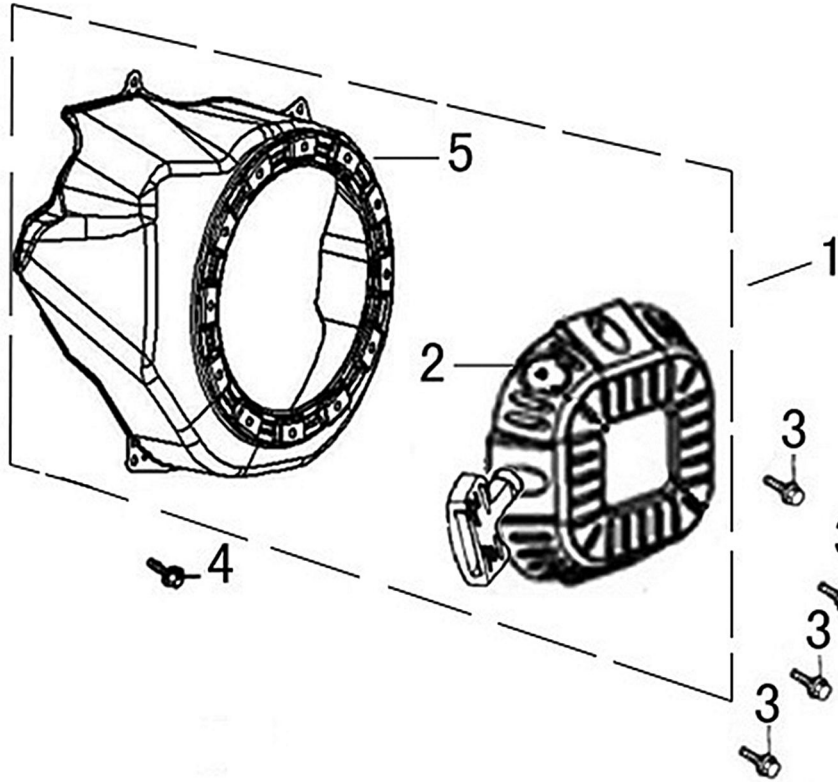
| ITEM | PART NO.   | QTY. | DESCRIPTION           |
|------|------------|------|-----------------------|
| 1    | 0K10430113 | 1    | RING SET              |
| 2    | 0J47870127 | 2    | CLIP, PISTON PIN      |
| 3    | 0K10430114 | 1    | PISTON                |
| 4    | 0J47870129 | 1    | PIN, PISTON           |
| 5    | 0J47870130 | 2    | BOLT, CONNECTING ROD  |
| 6    | 0J47870131 | 1    | ROD ASSY., CONNECTING |
| 7    | 0G84420119 | 1    | KEY                   |
| 8    | 0K10430115 | 1    | CRANKSHAFT COMP       |
| 9    | 0J88870117 | 1    | KEY                   |
| 10   | 029333A    | 1    | TIE WRAP              |

Rocker and Camshaft



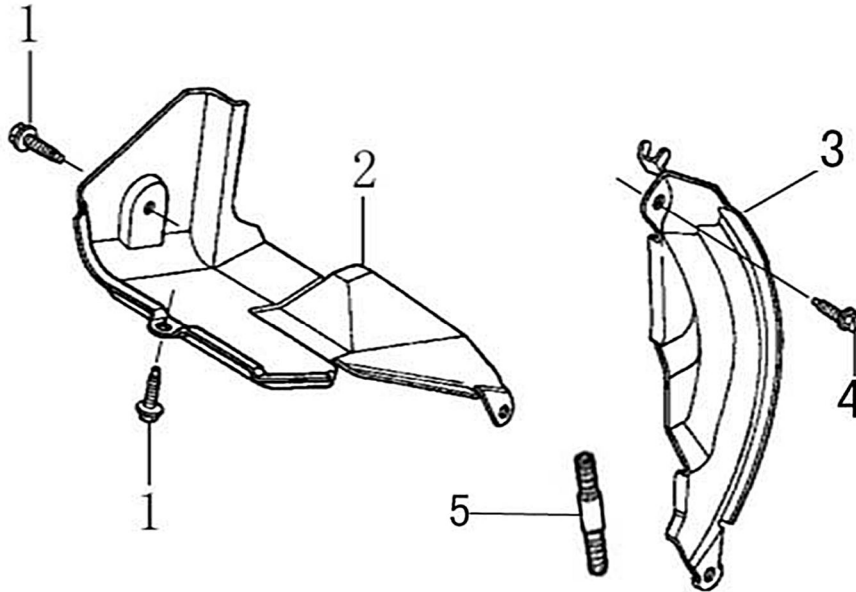
| ITEM | PART NO.   | QTY. | DESCRIPTION            |
|------|------------|------|------------------------|
| 1    | 0J88870120 | 2    | ARM, ROCKER            |
| 2    | 0J88870119 | 2    | SHAFT, VALVE ROCKER    |
| 3    | 0J88870121 | 2    | ROD, PUSH              |
| 4    | 0J35220122 | 2    | VALVE, LIFTER          |
| 5    | 0J35230114 | 2    | ROTATOR, VALVE         |
| 6    | 0J35220118 | 2    | RETAINER, VALVE SPRING |
| 7    | 0J35220117 | 2    | SPRING, VALVE          |
| 8    | 0J35220119 | 1    | SEAL, GUIDE            |
| 9    | 0J35230140 | 1    | VALVE COMP.            |
| 10   | 0J47870133 | 1    | CAMSHAFT ASSY.         |
| 11   | 0K10430117 | 4    | SPLIT WASHER           |

## Starter



| ITEM | PART NO.   | QTY. | DESCRIPTION           |
|------|------------|------|-----------------------|
| 1    | OK10460112 | 1    | STARTER, RECOIL COMP. |
| 2    | OJ35220150 | 1    | STARTER ASSY.         |
| 3    | OG84420241 | 4    | BOLT, FLANGE 6x8      |
| 4    | OJ35220157 | 4    | BOLT, FLANGE 6x10     |
| 5    | OK10430123 | 1    | HOUSING, BLOWER       |

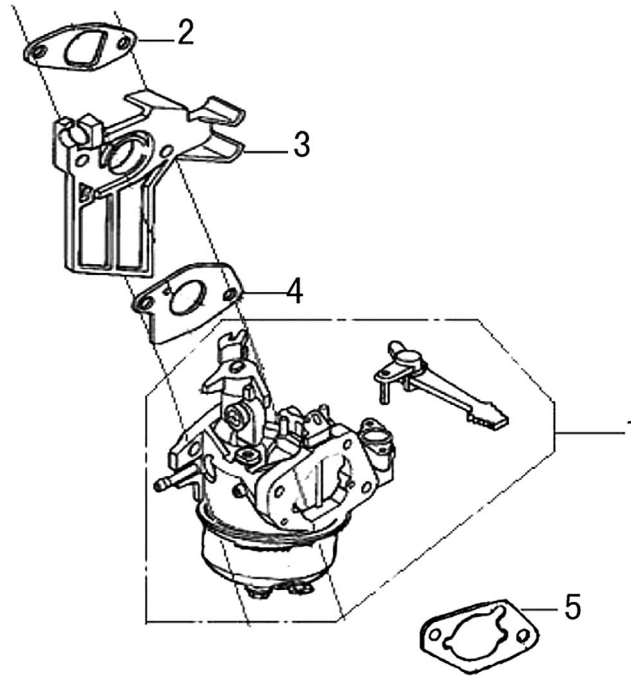
Shrouds



| ITEM | PART NO.   | QTY. | DESCRIPTION        |
|------|------------|------|--------------------|
| 1    | 0G84420241 | 2    | BOLT, FLANGE 6x8   |
| 2    | 0J35230118 | 1    | SHROUD COMP        |
| 3    | 0J35220125 | 1    | PLATE, SIDE        |
| 4    | 0J35220156 | 1    | BOLT, FLANGE, 6x20 |
| 5    | 0J35220160 | 1    | BOLT, STUD         |

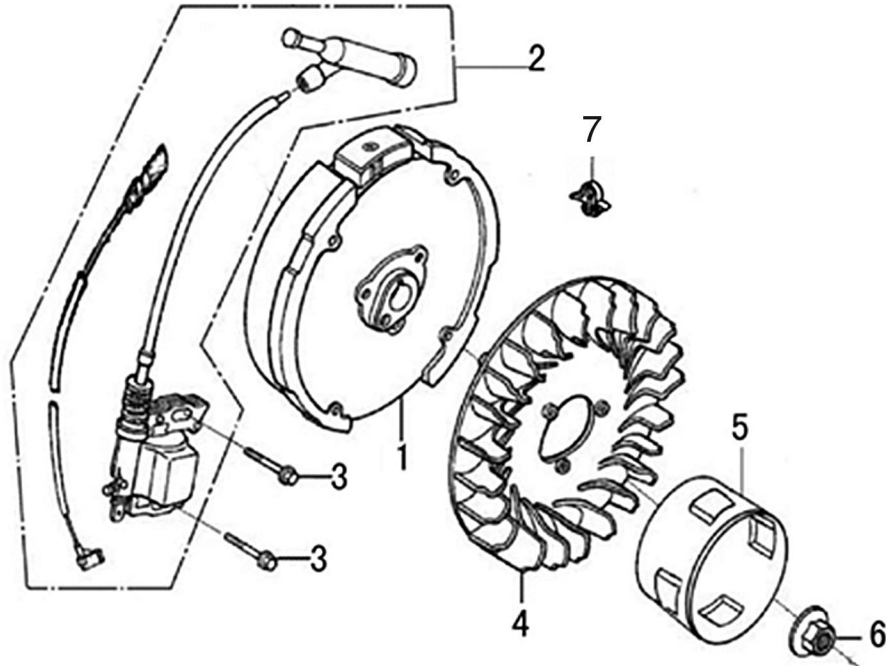


## Carburetor



| ITEM | PART NO.   | QTY. | DESCRIPTION           |
|------|------------|------|-----------------------|
| 1    | OK10460114 | 1    | CARBURETOR            |
| 2    | OJ35220128 | 1    | GASKET, INSULATOR     |
| 3    | OJ35220130 | 1    | INSULATOR, CARBURETOR |
| 4    | OJ35220127 | 1    | GASKET, CARBURETOR    |
| 5    | OJ35220129 | 1    | SPACER, AIR CLEANER   |

Flywheel

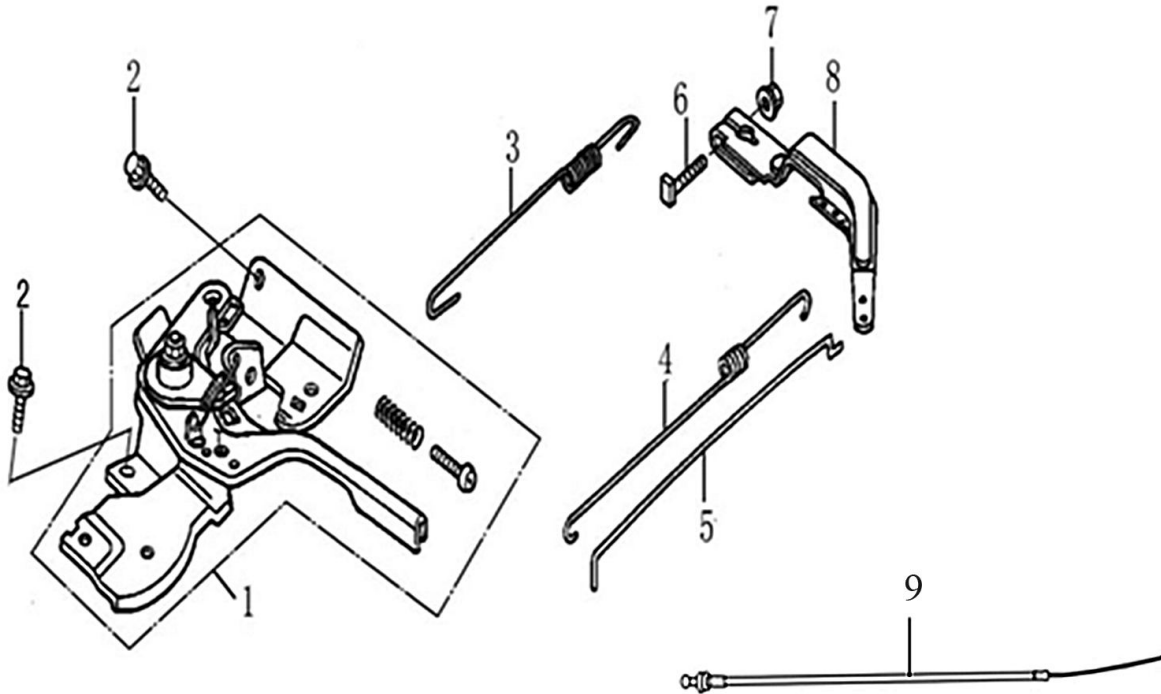


| ITEM | PART NO.   | QTY. | DESCRIPTION          |
|------|------------|------|----------------------|
| 1    | 0H95610115 | 1    | FLYWHEEL             |
| 2    | 0J35220153 | 1    | COIL ASSY., IGNITION |
| 3    | 0G84420268 | 2    | BOLT, FLANGE,6x25    |
| 4    | 0J35230117 | 1    | FAN, COOLING         |
| 5    | 0K10430121 | 1    | PULLEY, STARTER      |
| 6    | 0J35220162 | 1    | NUT, SPECIAL         |
| 7    | 0J35220172 | 1    | CABLE CLIP           |

# 212cc ENGINE

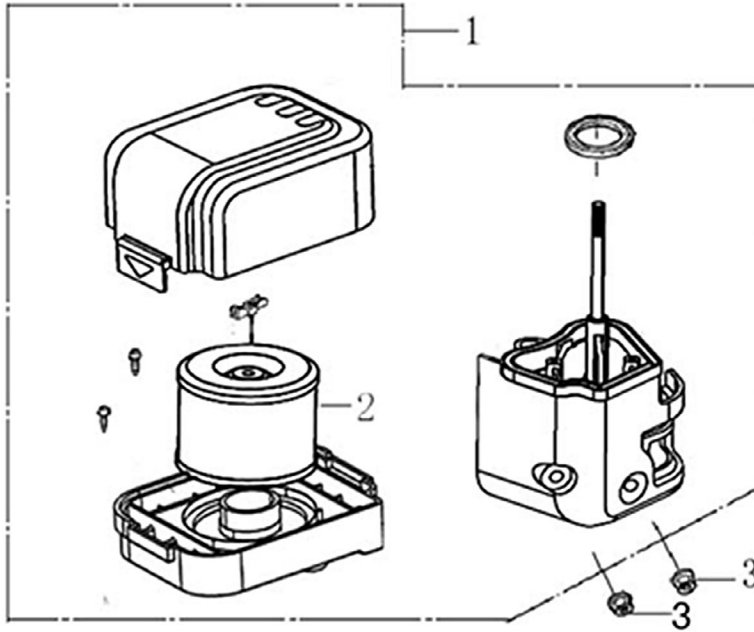


## Control



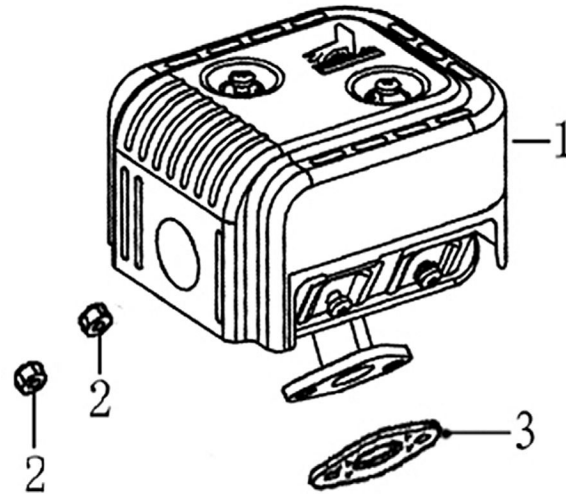
| ITEM | PART NO.   | QTY. | DESCRIPTION              |
|------|------------|------|--------------------------|
| 1    | 0K10460115 | 1    | CONTROL ASSY.            |
| 2    | 0J35220157 | 2    | BOLT, FLANGE             |
| 3    | 0K10460116 | 1    | SPRING, GOVERNOR         |
| 4    | 0J35220137 | 1    | SPRING, THROTTLE RETURN  |
| 5    | 0H95590116 | 1    | ROD, GOVERNOR            |
| 6    | 0G84420197 | 1    | BOLT, GOVERNOR ARM M6x21 |
| 7    | 0G84420196 | 1    | NUT, FLANGE              |
| 8    | 0J35220138 | 1    | ARM, GOVERNOR            |
| 9    | 0K0443     | 1    | CABLE, CHOKE             |

Air Cleaner



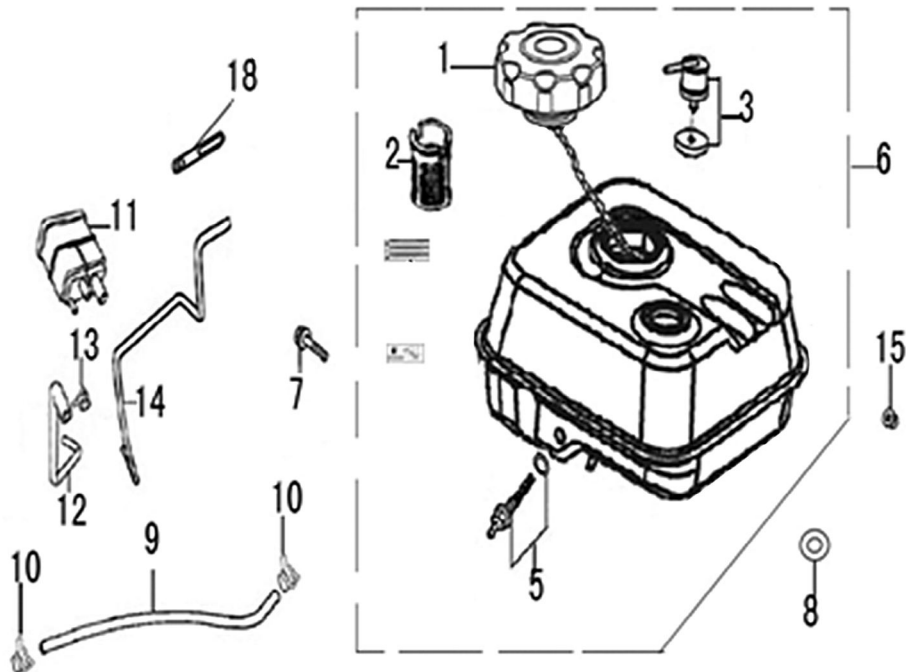
| ITEM | PART NO.   | QTY. | DESCRIPTION                |
|------|------------|------|----------------------------|
| 1    | OK10460119 | 1    | AIR CLEANER ASSY           |
| 2    | OJ88870125 | 1    | ELEMENT ASSY., AIR CLEANER |
| 3    | OG84420196 | 2    | NUT, FLANGE, 6MM           |

## Muffler



| ITEM         | PART NO.   | QTY. | DESCRIPTION     |
|--------------|------------|------|-----------------|
| 1            | 0K10470100 | 1    | MUFFLER ASSY.   |
| 2            | 0J35220161 | 2    | NUT, HEX.       |
| 3            | 0J35220144 | 1    | GASKET, MUFFLER |
| Not<br>Shown | 0K1851     | 1    | ARRESTOR, SPARK |

Fuel Tank



| ITEM | PART NO.   | QTY. | DESCRIPTION            |
|------|------------|------|------------------------|
| 1    | 0J88870127 | 1    | CAP, FUEL FILLER       |
| 2    | 0J35220133 | 1    | FILTER,FUEL            |
| 3    | 0J88870128 | 1    | GAS VALVE, FUEL TANK   |
| 5    | 0J35220132 | 1    | JOINT ASSY., FUEL TANK |
| 6    | 0J88870129 | 1    | TANK ASSY, COMP., FUEL |
| 7    | 0G84420268 | 1    | BOLT,FLANGE, 6x25      |
| 8    | 0J35220171 | 2    | WASHER, RUBBER         |
| 9    | 0K10460120 | 1    | HOSE, FUEL (TUBE)      |
| 10   | 0J88870130 | 2    | CLAMP/COLLAR           |
| 11   | 0K10470101 | 1    | CARBON CANISTER ASSY   |
| 12   | 0J35220147 | 1    | HOSE, FORMED           |
| 13   | 0J88870132 | 1    | CLAMP                  |
| 14   | 0K10470102 | 1    | HOSE, FORMED           |
| 15   | 0G84420272 | 2    | NUT, FLANGE, 6MM       |
| 18   | 0K10470103 | 1    | CABLE CLEAT            |