



# Engine Parts Manual

## 212cc (G23)

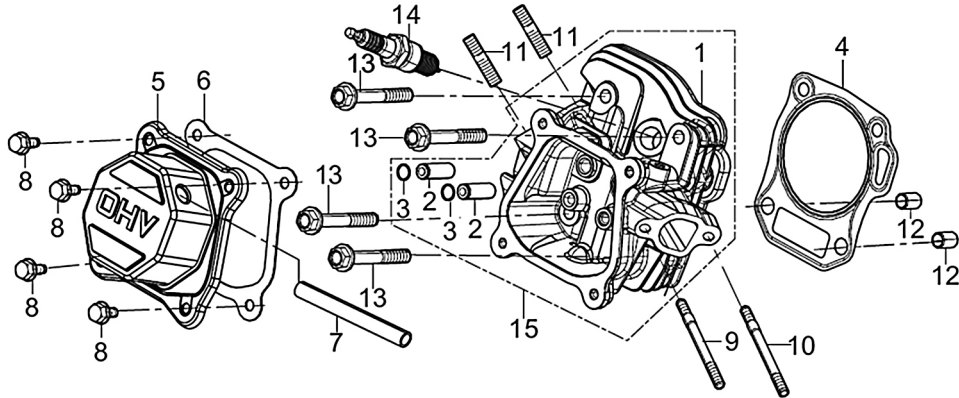
\* Units with serial numbers **other than** 7418714, 7418715, 7420195 and greater reference engine parts manual 0J8288PMNL.

\* If unit serial number **is** 7418714, 7418715, 7420195 or greater reference engine parts manual 0K1043PMNL.

### NOTICE!

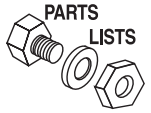
The information in this manual is known to be accurate as of the date of release shown on the cover. However, engineering changes can occur without notice. To obtain the proper parts, please be sure to use the serial number of the unit being serviced when ordering from this manual. Always refer to any parts notes and changes before ordering. All other parts not shown in this manual can be found on Generac's exploded view drawings online on GENservice at [www.generac.com](http://www.generac.com).

Cylinder Head

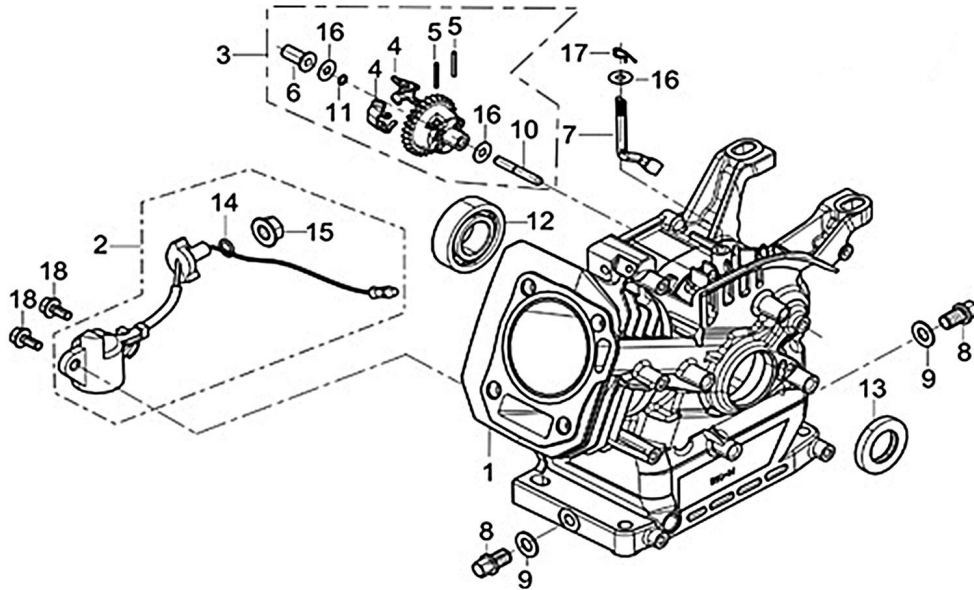


ITEM	PART NO.	QTY.	DESCRIPTION
4	0J82880123	1	GASKET, CYLINDER HEAD
5	0J82880125	1	COVER SUBASSEMBLY, CYLINDER HEAD
6	0J82880115	1	GASKET, CYLINDER HEAD COVER
7	0J82880161	1	TUBE, BREATHER
8	0J58620183	4	BOLT
9	0J82880181	1	STUD
10	0J82880182	1	STUD
11	0J58620189	2	STUD
12	0J82880186	2	PIN, DOWEL
13	0J82880114	4	BOLT, CYLINDER HEAD
14	0J5863A129	1	PLUG, SPARK
15	0J82880124	1	HEAD SUBASSEMBLY, CYLINDER

# 212cc ENGINE

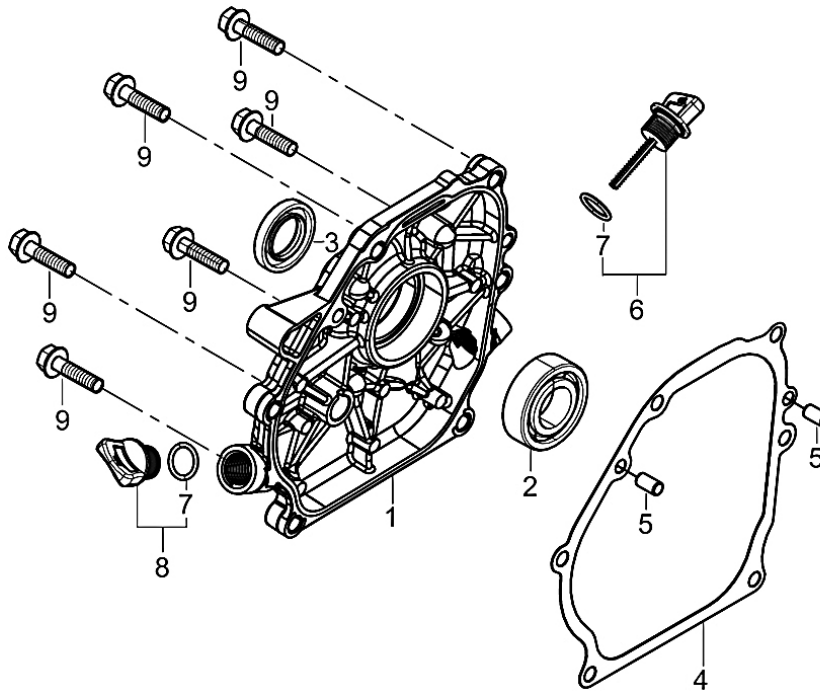


## Crankcase / Gear Assembly / Governor



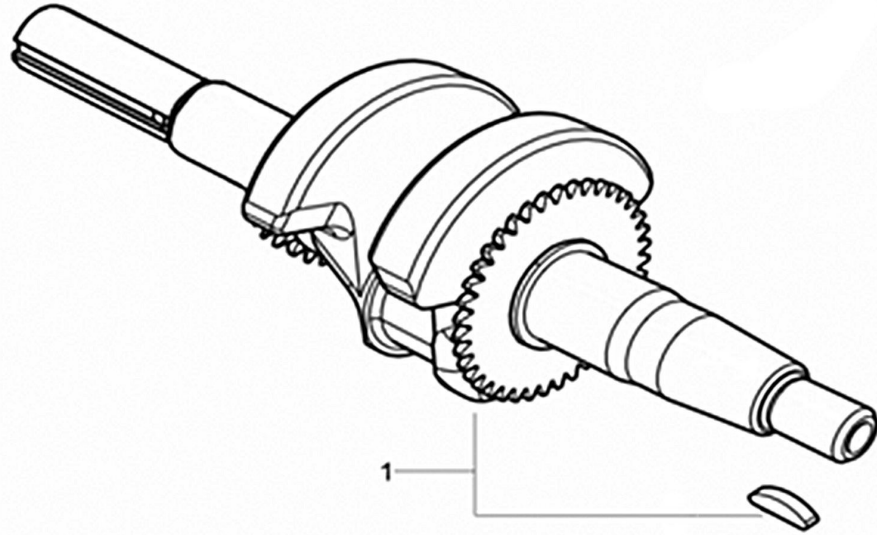
ITEM	PART NO.	QTY.	DESCRIPTION
1	0J82880112	1	CRANKCASE SUBASSEMBLY.
2	0J82880175	1	SENSOR, ENGINE OIL
3	0J82880153	1	GEAR ASSY, GOVERNOR
7	0J82880147	1	ARM, GOVERNOR
8	0J82880111	2	BOLT, DRAIN PLUG
9	0J82880183	2	WASHER
12	0J82880187	1	BEARING
13	0J82880188	1	SEAL, OIL
16	0J82880184	1	WASHER
17	0J58620197	1	PIN, SPLIT
18	0J82880177	2	BOLT

Crankcase Cover



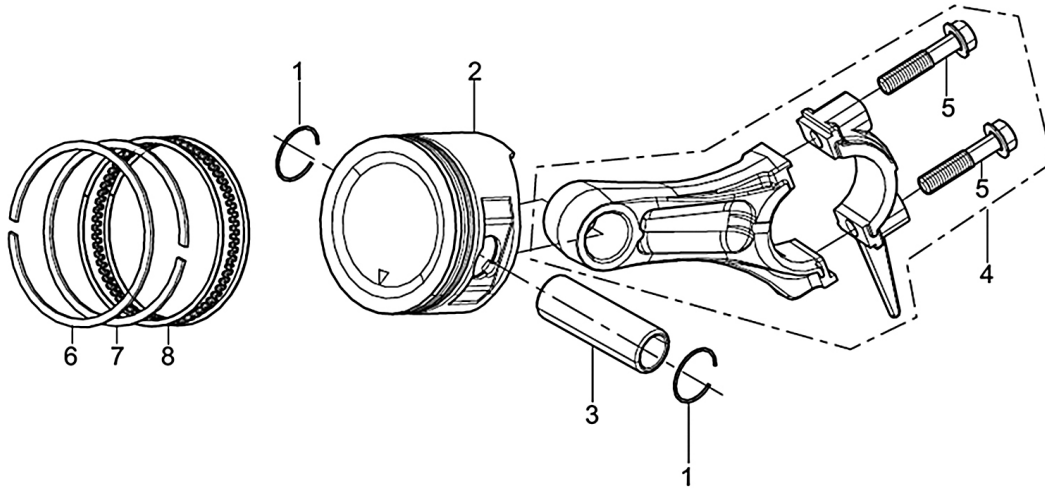
ITEM	PART NO.	QTY.	DESCRIPTION
1	0J82880113	1	COVER, CRANKCASE
2	0J82880187	1	BEARING
3	0J82880188	1	SEAL, OIL
4	0J82880110	1	GASKET, CRANKCASE
5	0J82880185	2	PIN, DOWEL
6	0J82880140	1	DIPSTICK SUBASSEMBLY, OIL
8	0J82880141	1	PLUG SUBASSEMBLY, ENGINE OIL
9	0J82880180	6	BOLT

Crankshaft Assy



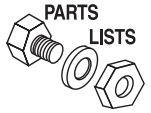
ITEM	PART NO.	QTY.	DESCRIPTION
1	0J82880133	1	CRANKSHAFT ASSY.

Piston / Connecting Rod

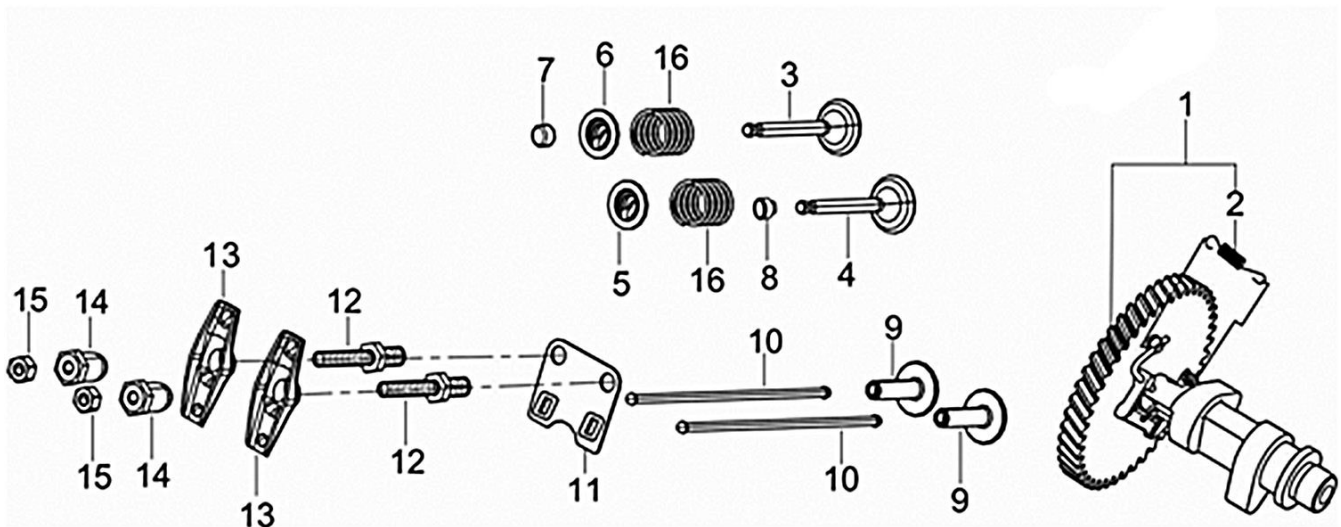


ITEM	PART NO.	QTY.	DESCRIPTION
1	0J82880129	2	CLIP, PISTON PIN
2	0J82880127	1	PISTON
3	0J82880128	1	PIN, PISTON
4	0J82880126	1	ROD, CONNECTING
6	0J82880130	1	RING, THE FIRST
7	0J82880131	1	RING, THE SECOND
8	0J82880132	1	RING SET, OIL

# 212cc ENGINE

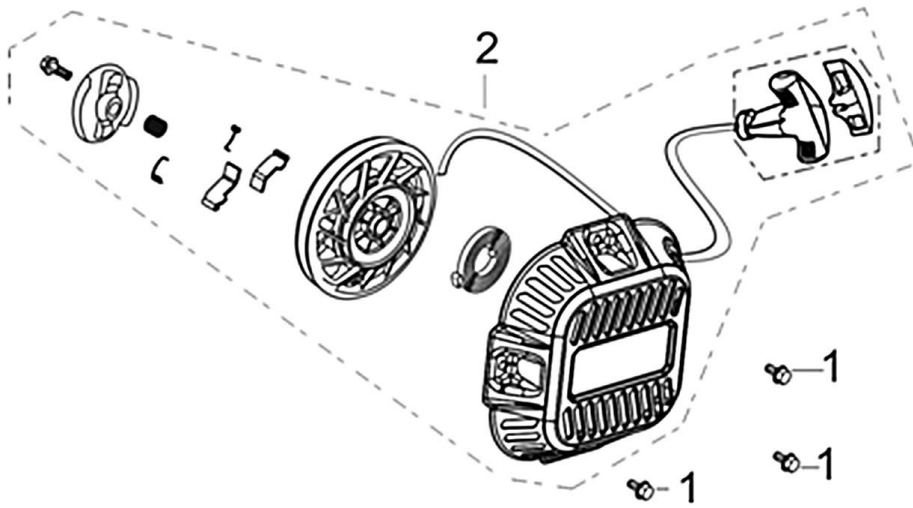


## Rocker and Camshaft



ITEM	PART NO.	QTY.	DESCRIPTION
1	0J82880139	1	CAMSHAFT ASSY.
3	0J82880122	1	VALVE, EXHAUST
4	0J82880120	1	VALVE, INTAKE
5	0J82880121	1	SEAT, VALVE SPRING
6	0J82880119	1	RETAINER EXHAUST VALVE
7	0J82880118	1	ROTATOR, VALVE
8	0J82880116	1	GUIDE, SEAL
9	0J82880137	2	TAPPET, VALVE
10	0J82880136	2	PUSHROD
11	0J82880138	1	PLATE, GUIDE
12	0J58620146	2	BOLT, VALVE ADJUSTING
13	0J82880193	2	ROCKER, VALVE
14	0J58620147	2	NUT VALVE ADJUSTING
15	0J58620145	2	NUT, VALVE LOCK
16	0J82880117	2	SPRING, VALVE

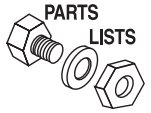
Starter



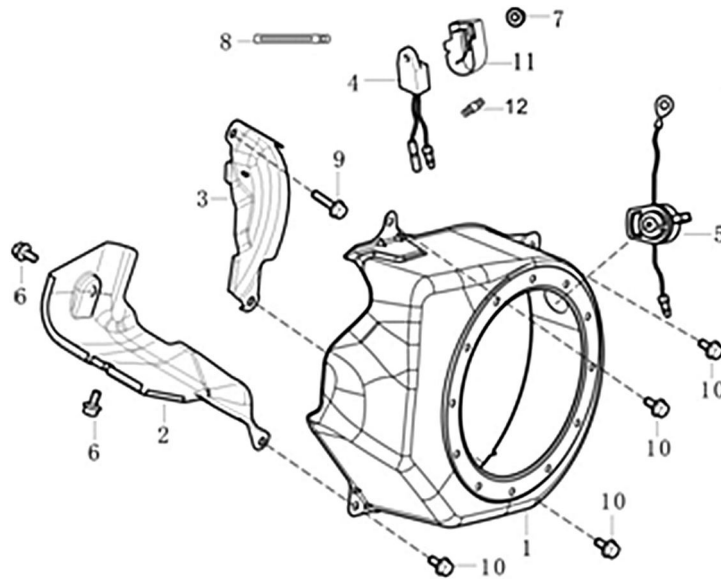
ITEM	PART NO.	QTY.	DESCRIPTION
1	0J58620182	3	BOLT
2	0J0807	1	STARTER ASSY, RECOIL



# 212cc ENGINE

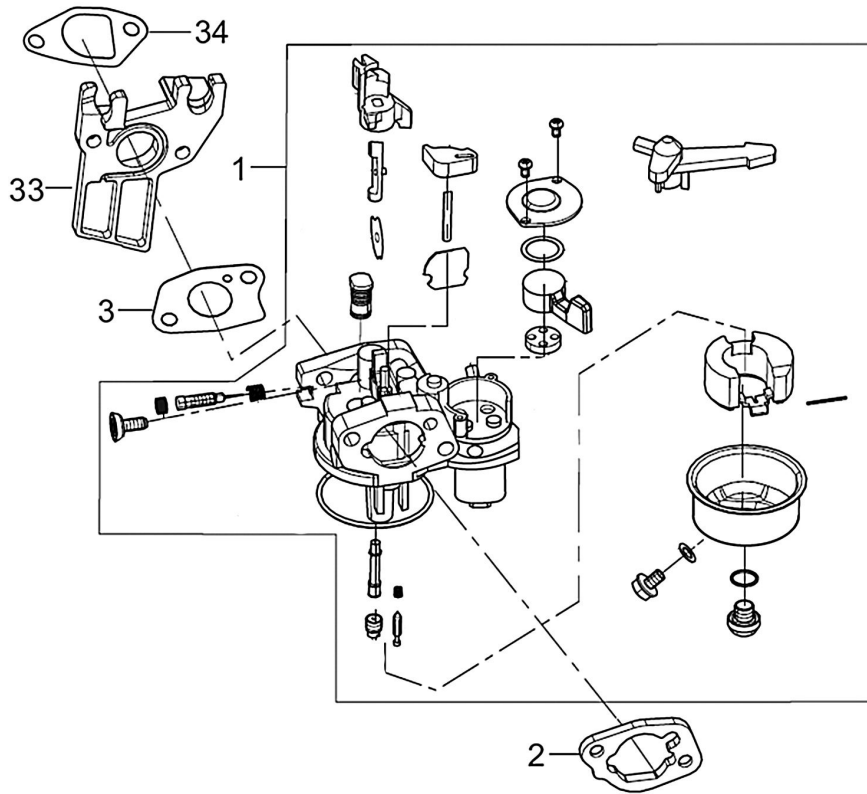


## Shroud



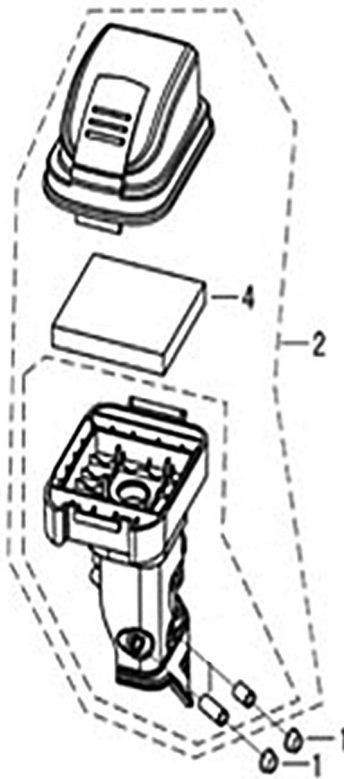
ITEM	PART NO.	QTY.	DESCRIPTION
1	0J82880169	1	BLOWER HOUSING
2	0J82880165	1	SHROUD, CYLINDER BODY
3	0J82880166	1	SHIELD, LOWER
4	0J58620178	1	PROTECTOR, OIL
5	0J5863A135	1	SWITCH SUBASSEMBLY, STOP ENGINE
6	0J82880176	2	BOLT
7	0J58620192	1	NUT
8	0J58620205	1	CLIP
9	0J58620184	1	BOLT
10	0J58620183	4	BOLT
11	0J82880173	1	COVER
12	0J82880174	1	BOLT

Carburetor



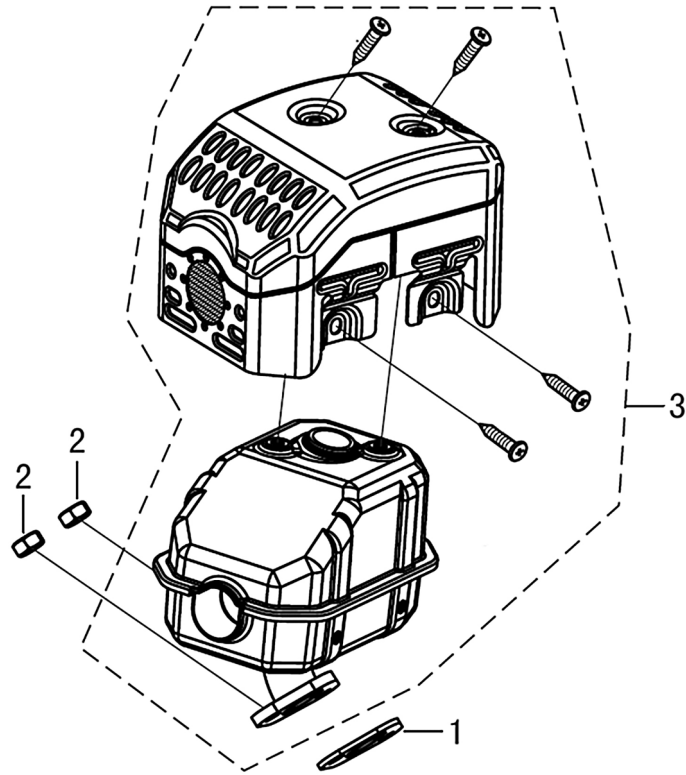
ITEM	PART NO.	QTY.	DESCRIPTION
1	0J82880152	1	CARBURETOR ASSY.
2	0J82880160	1	GASKET, AIR CLEANER
3	0J82880143	1	GASKET, CARBURETOR
33	0J82880145	1	PLATE, CARBURETOR INSULATOR
34	0J82880144	1	GASKET, CARBURETOR INSULATOR

## Air Cleaner



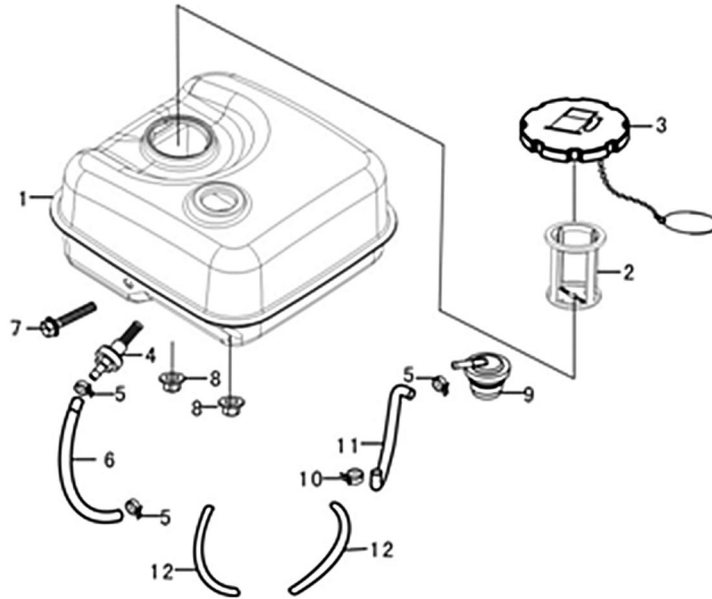
ITEM	PART NO.	QTY.	DESCRIPTION
1	0J58620192	2	NUT
2	0J82880162	1	CLEANER, AIR
4	0J82880192	1	ELEMENT, AIR CLEANER

Muffler



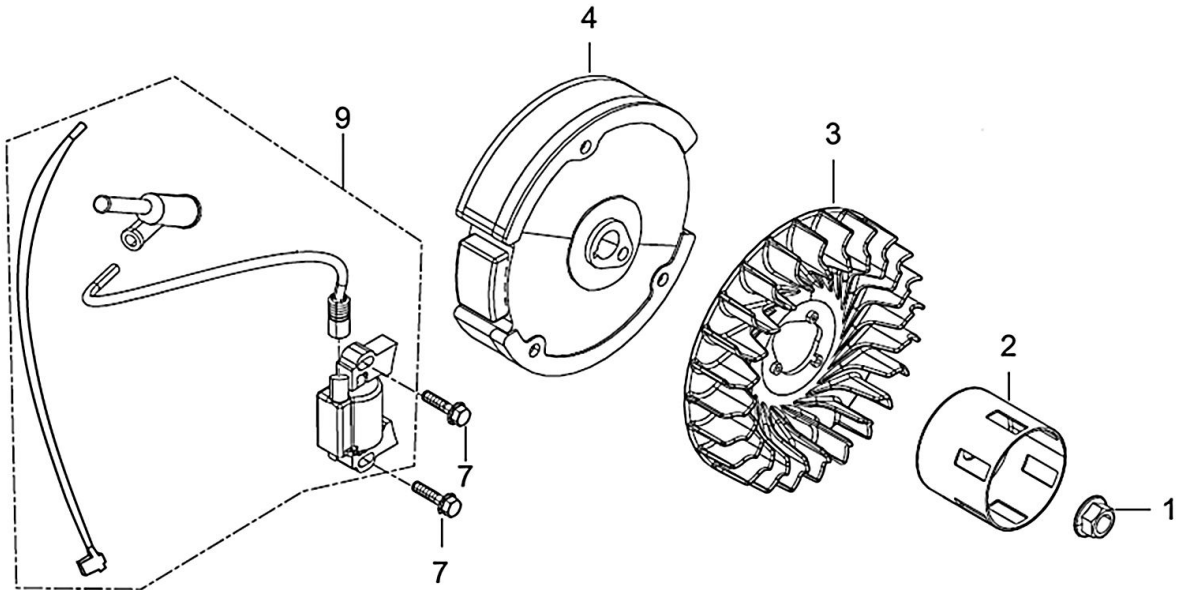
ITEM	PART NO.	QTY.	DESCRIPTION
1	0J82880163	1	GASKET, EXHAUST OUTLET
2	0J58620191	2	NUT
3	0J82880164	1	MUFFLER ASSY.

## Fuel Tank



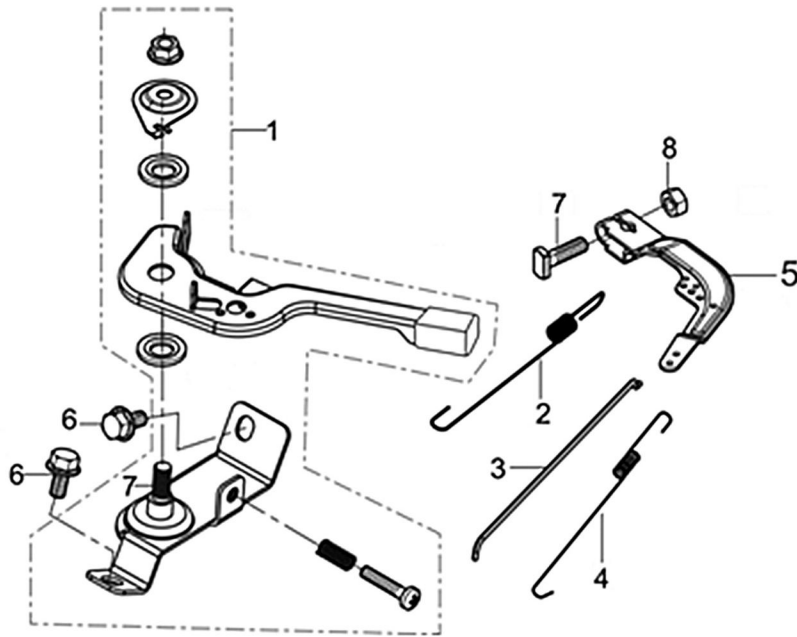
ITEM	PART NO.	QTY.	DESCRIPTION
1	0J82880155	1	TANK, FUEL
2	0J82880156	1	STRAINER
3	0J82880158	1	CAP, GAS, FUEL TANK
4	0J82880157	1	OUTLET SUBASSEMBLY, FUEL TANK OIL
5	0J82880189	3	CLAMP
6	0J82880191	1	TUBE, FUEL
7	0J82880179	1	BOLT
8	0J58620192	2	NUT
9	0J82880142	1	ROV
10	0J82880190	1	CLAMP
11	0J82880159	1	HOSE, FUEL STEAM RUBBER
12	0J82880172	2	JACKET, RUBBER

Flywheel and Ignition



ITEM	PART NO.	QTY.	DESCRIPTION
1	0J82880134	1	NUT, FLYWHEEL
2	0J82880168	1	PULLEY,STARTER
3	0J82880167	1	FAN, COOLING
4	0J82880135	1	FLYWHEEL SUBASSEMBLY
7	0J82880178	2	BOLT
9	0J82880171	1	COIL, IGNITION

## Control



ITEM	PART NO.	QTY.	DESCRIPTION
1	0J82880154	1	CONTROL ASSY, THROTTLE
2	0J82880149	1	SPRING, GOVERNOR
3	0J82880148	1	ROD, GOVERNEOR
4	0J82880146	1	SPRING, THROTTLE VALVE RETURNING
5	0J82880150	1	SUPPORT SUBASSEMBLY, GOVERNOR
6	0J82880176	2	BOLT
7	0J58620156	1	BOLT, GOVERNOR SUPPORT
8	0J58620192	1	NUT