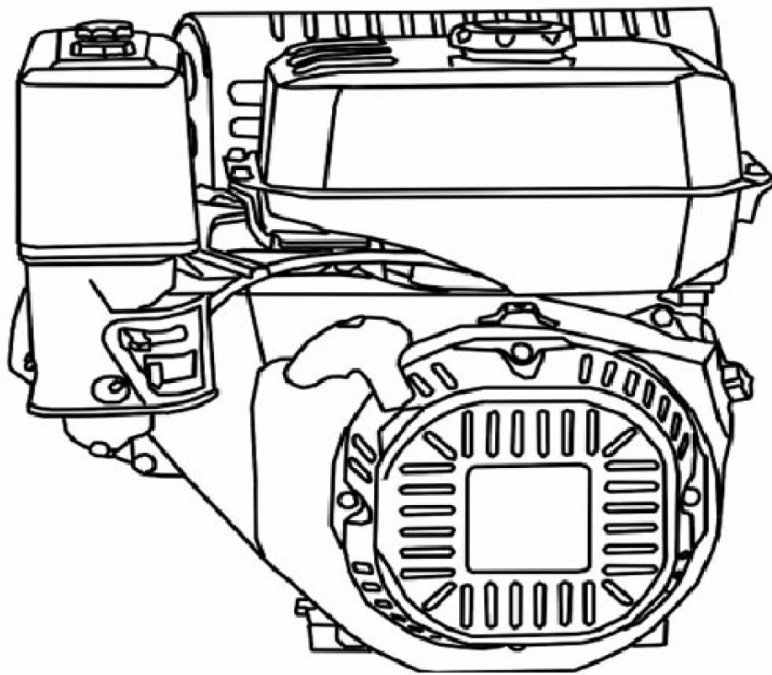


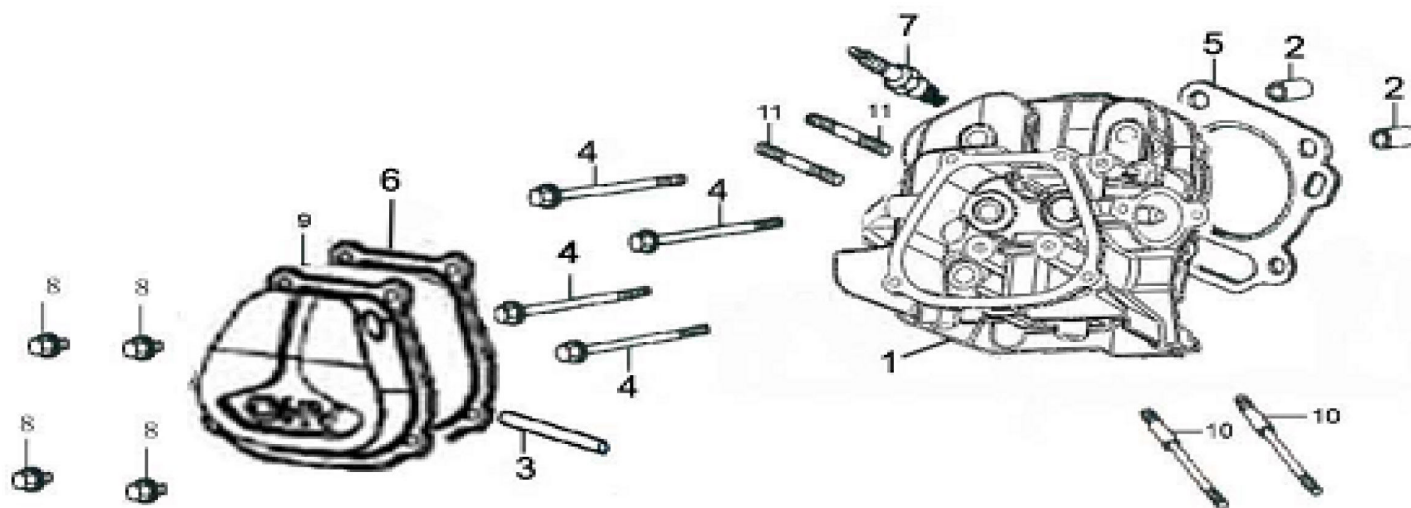
GENERAC®



Manual Start
Power Washer

420cc Engine Parts Manual

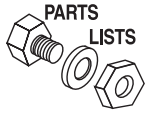
Cylinder Head



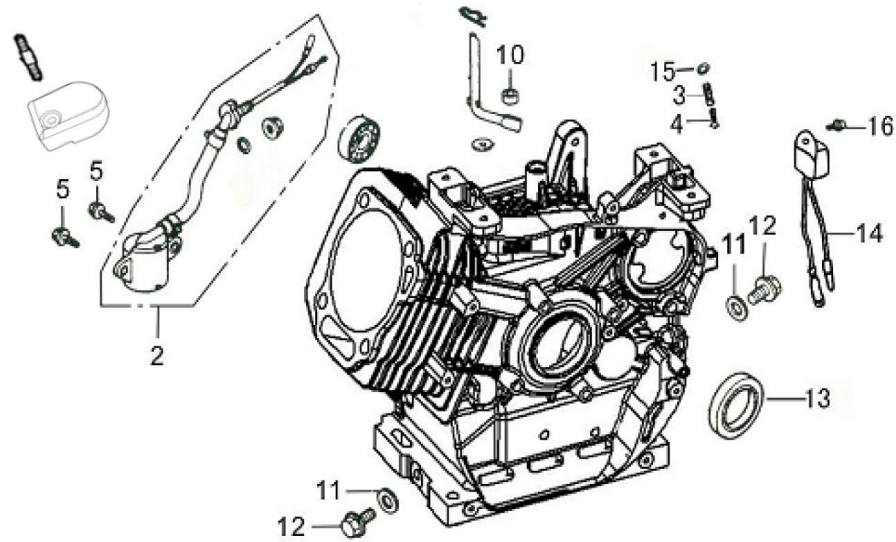
ITEM	PART NO.	QTY.	DESCRIPTION
1	0J35250111	1	HEAD COMP., CYLINDER
2	0G84420212	2	PIN, DOWEL
3	0J35250334	1	TUBE, BREATHER
4	0G84420211	4	BOLT, FLANGE
5	0J00620107	1	GASKET, CYLINDER
6	0J35240113	1	GASKET, HEAD COVER

ITEM	PART NO.	QTY.	DESCRIPTION
7	0J00620106	1	PLUG, SPARK
8	0J35240147	4	BOLT, FLANGE
9	0J35240112	1	COVER COMP., HEAD
10	0J35250131	2	BOLT, STUD, INTAKE
11	0G84420210	2	BOLT, STUD, EXHAUST

420cc ENGINE



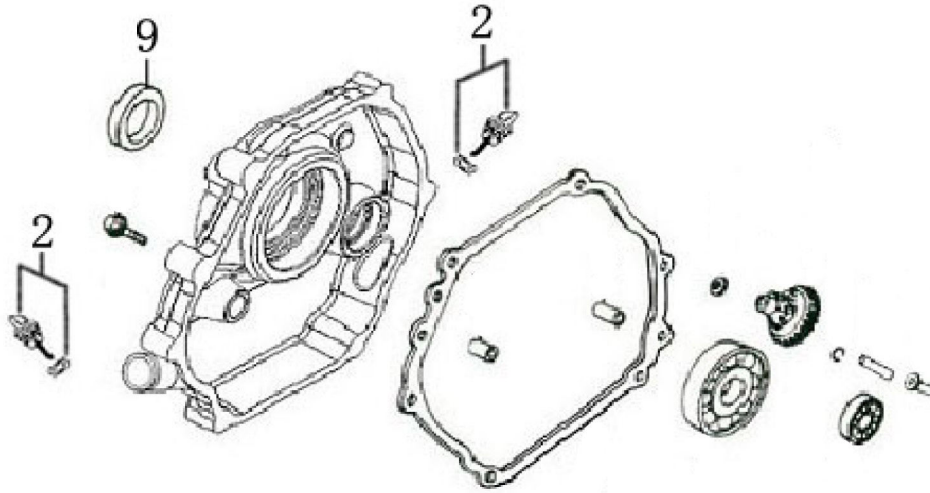
Crankcase



ITEM	PART NO.	QTY.	DESCRIPTION
2	0J35250129	1	SWITCH ASSY., OIL LEVEL
3	0J35250117	1	SPRING, ADJUSTING CONTROL
4	0J35250132	1	SCREW
5	0G84420217	2	BOLT, FLANGE
10	0G84420108	1	SEAL, OIL
11	0G84420109	2	WASHER

ITEM	PART NO.	QTY.	DESCRIPTION
12	0G84420110	2	BOLT, DRAIN PLUG
13	0G84420116	1	SEAL, OIL
14	0G84420112	1	ALERT UNIT, OIL
15	0J35250133	1	WASHER
16	0G84420194	1	BOLT, FLANGE

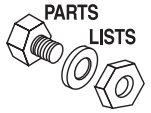
Crankcase Cover



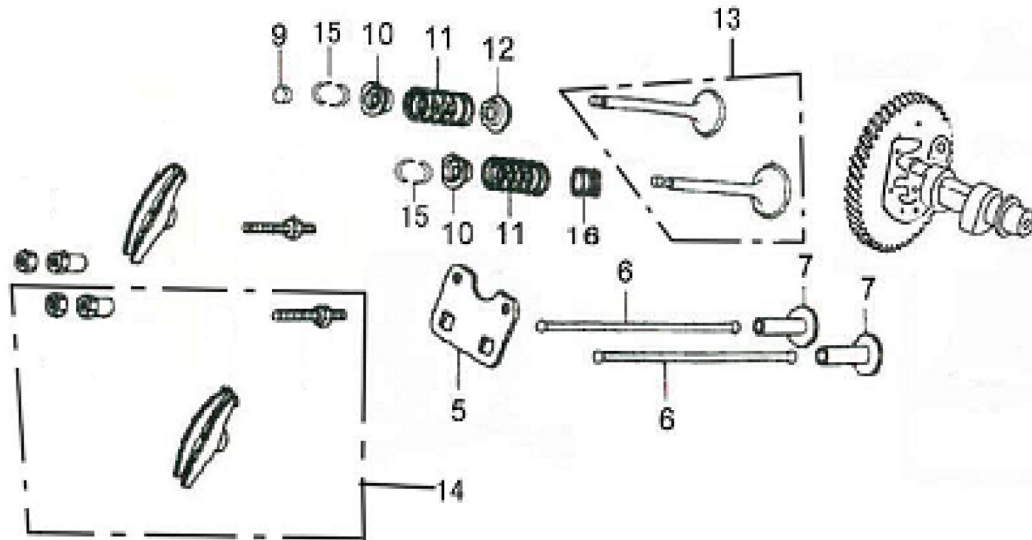
ITEM	PART NO.	QTY.	DESCRIPTION
2	0J35250110	2	CAP ASSY.

ITEM	PART NO.	QTY.	DESCRIPTION
9	0G84420116	1	SEAL, OIL

420cc ENGINE



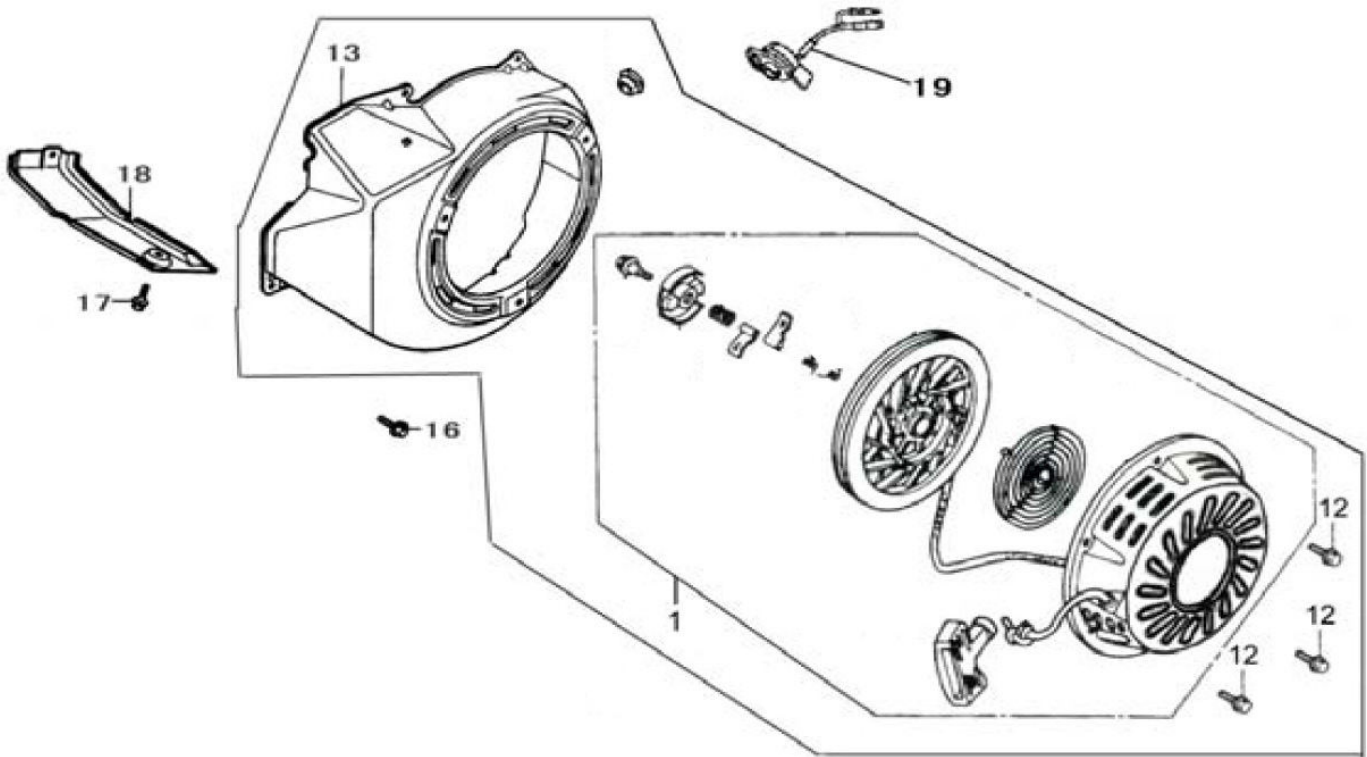
Rocker/Camshaft Assy.



ITEM	PART NO.	QTY.	DESCRIPTION
5	0G84420173	1	PLATE, PUSH ROD GUIDE
6	0G84420121	2	ROD, PUSH
7	0G84420174	2	LIFTER, VALVE
9	0G84420122	2	ROTATOR, VALVE
10	0G84420123	2	RETAINER, VALVE SPRING
11	0G84420124	2	SPRING, VALVE

ITEM	PART NO.	QTY.	DESCRIPTION
12	0G84420125	1	SEAT, VALVE SPRING
13	0J00620114	1	VALVE ASSY.
14	0J00620121	2	RPCLER AR, ASSY.
15	0J35240114	4	LOCKER, VALVE
16	0G84420128	1	SEAL, VALVE STEM

Starter



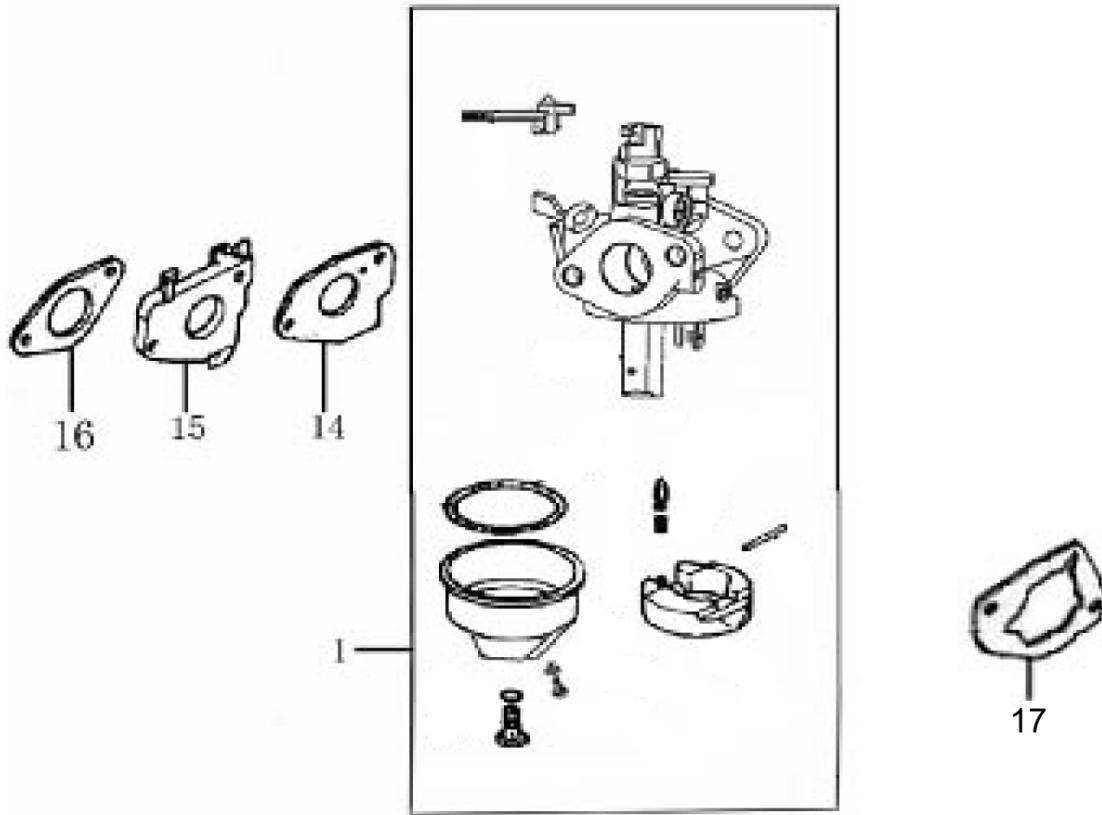
ITEM	PART NO.	QTY.	DESCRIPTION
1	0H95630113	1	STARTER ASSY., RECOIL
12	0G84420241	3	BOLT, FLANGE
13	0J35250113	1	COVER COMP., FAN
16	0G84420194	5	BOLT, FLANGE

ITEM	PART NO.	QTY.	DESCRIPTION
17	0G84420194	1	BOLT, FLANGE
18	0G84420215	1	SHROUD
19	0G9911	1	SWITCH ASSY., ENGINE STOP

420cc ENGINE



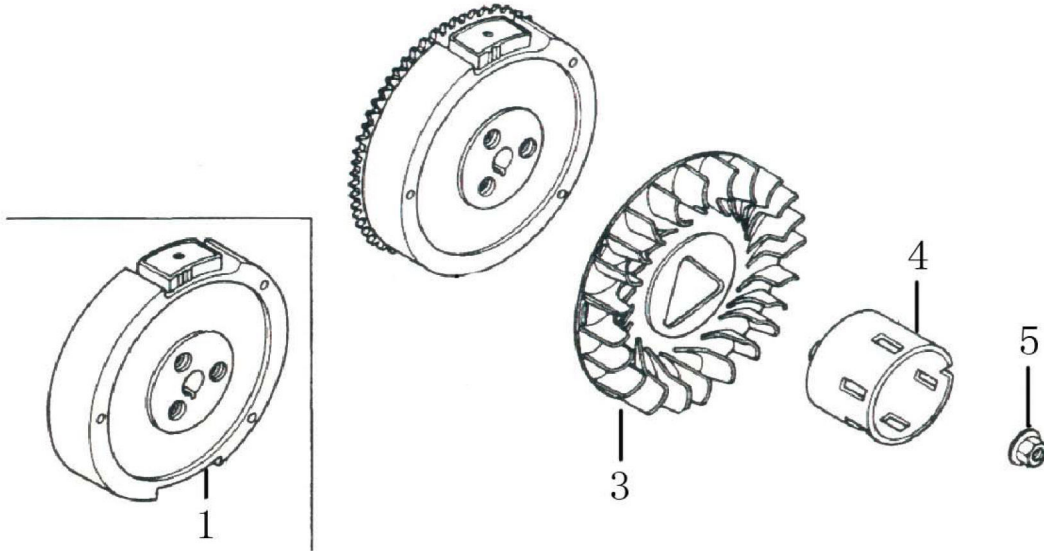
Carburetor



ITEM	PART NO.	QTY.	DESCRIPTION
1	0J35250114	1	CARBURETOR
14	0G9916	1	GASKET, CARBURETOR
15	0G84420145	1	INSULATOR, CARBURETOR

ITEM	PART NO.	QTY.	DESCRIPTION
16	0G84420144	1	GASKET, INSULATOR
17	0G84420156	1	GASKET, INSULATOR

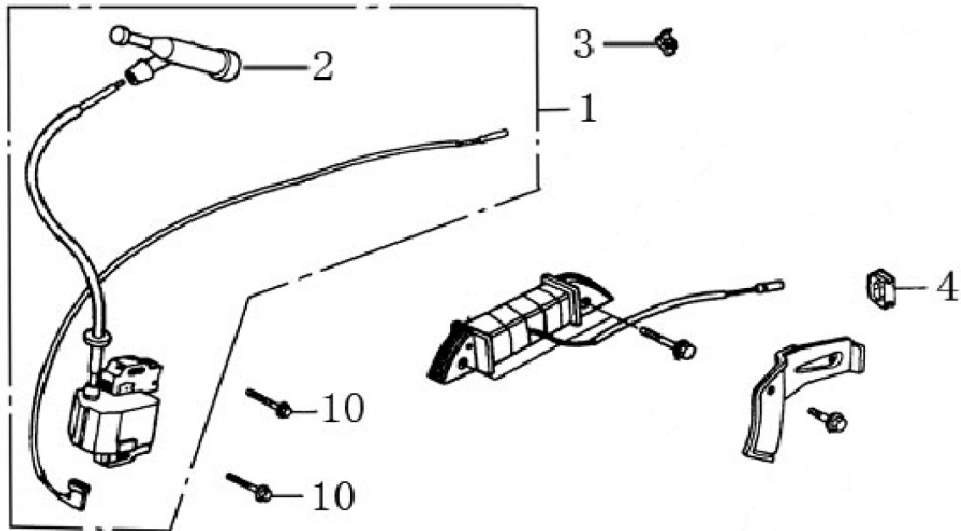
Flywheel



ITEM	PART NO.	QTY.	DESCRIPTION
1	0G84420146	1	FLYWHEEL COMP.
3	0G84420147	1	FAN, COOLING

ITEM	PART NO.	QTY.	DESCRIPTION
4	0G84420148	1	PULLEY, STARTER
5	0G84420149	1	NUT, SPECIAL

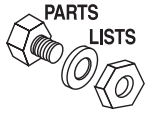
Ignition



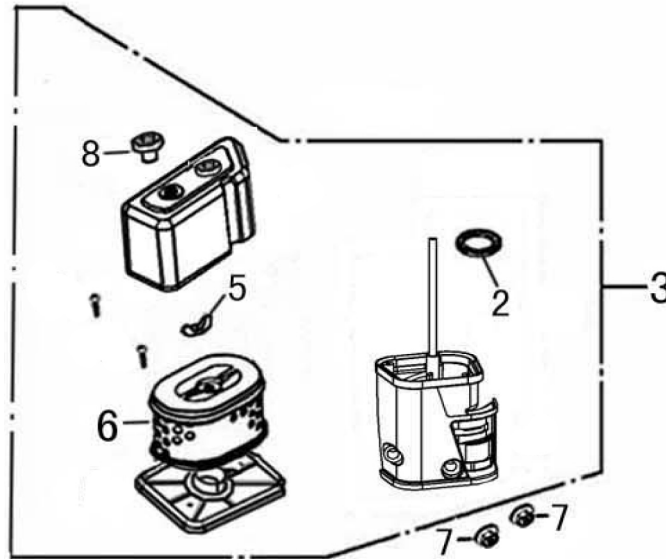
ITEM	PART NO.	QTY.	DESCRIPTION
1	0G84420150	1	COIL ASSY., IGNITION
2	0H95630114	1	CAP ASSY., NOISE SUPPRESSOR
3	0J35220172	1	HOLDER, STOP SWITCH

ITEM	PART NO.	QTY.	DESCRIPTION
4	0G84420267	1	GROMMET, CORD
10	0G84420268	2	BOLT, FLANGE

420cc ENGINE



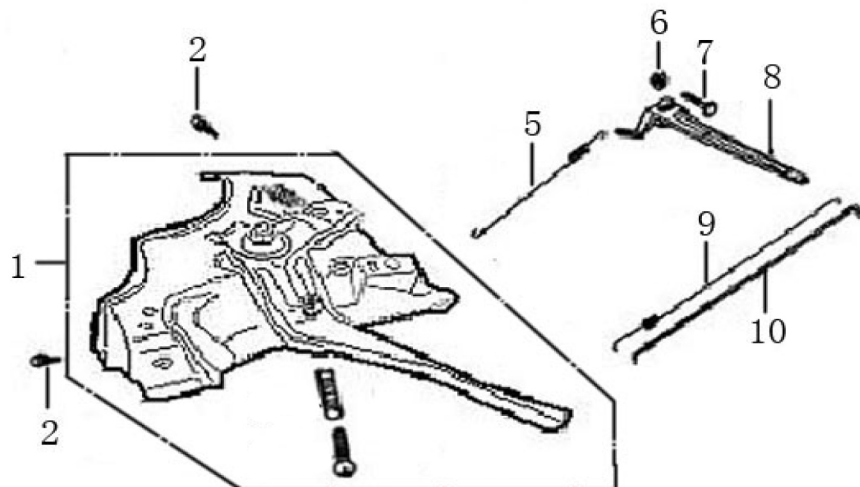
Air Cleaner



ITEM	PART NO.	QTY.	DESCRIPTION
2	0J35250336	1	GASKET, ELBOW
3	0H95630111	1	CLEANER ASSY., AIR
5	0J35220163	1	NUT, TOOL BOX SETTING

ITEM	PART NO.	QTY.	DESCRIPTION
6	0J35250122	1	ELEMENT ASSY., AIR CLEANER
7	0G84420196	2	NUT, FLANGE
8	0J35250128	1	BOLT, HANDLE KNOB

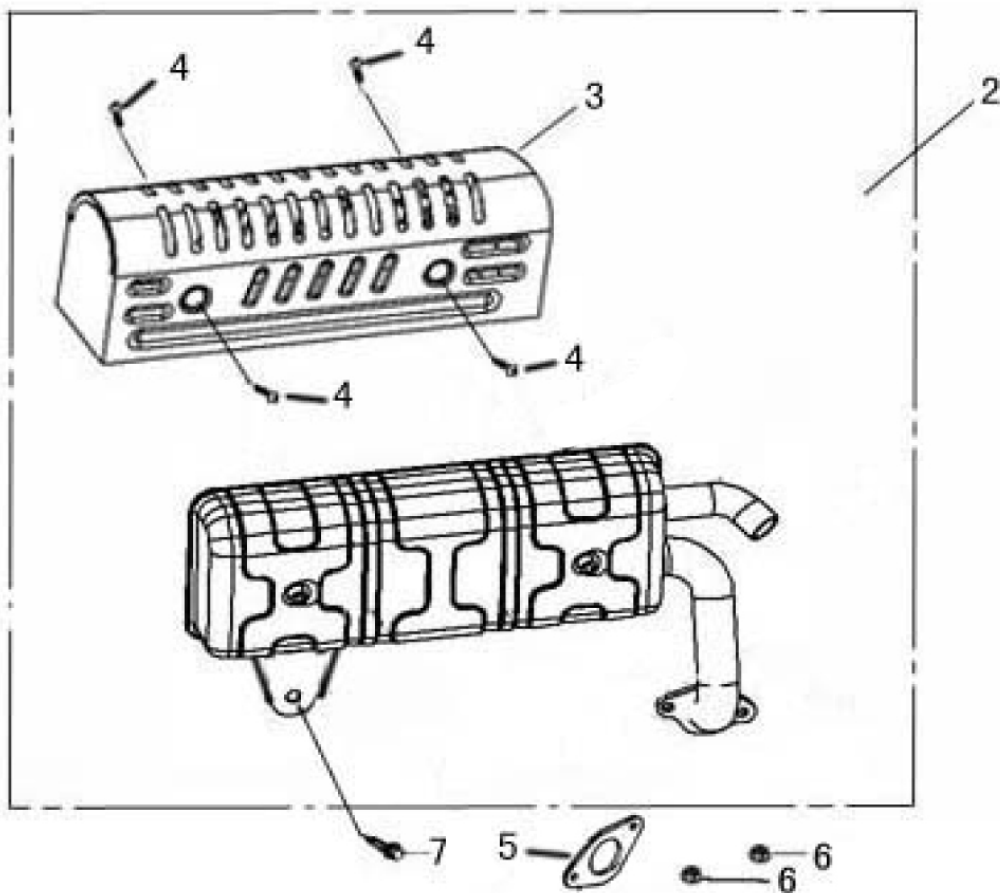
Control



ITEM	PART NO.	QTY.	DESCRIPTION
1	0J35250118	1	CONTROL ASSY.
2	0G84420194	2	BOLT, FLANGE
5	0J35250116	1	SPRING, CABLE RETURN
6	0G84420196	1	NUT, FLANGE

ITEM	PART NO.	QTY.	DESCRIPTION
7	0G84420197	1	BOLT, QUADRATE HEAD
8	0G84420198	1	ARM, GOVERNOR
9	0G84420161	1	SPRING, THROTTLE RETURN
10	0G84420195	1	ROD, GOVERNOR

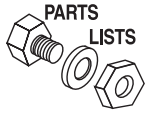
Muffler



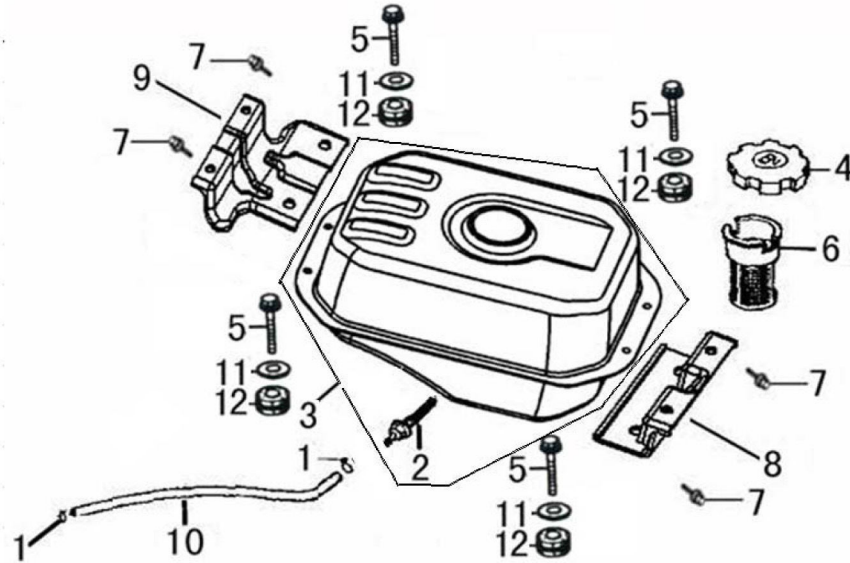
ITEM	PART NO.	QTY.	DESCRIPTION
2	0H95630112	1	MUFFLER ASSY.
3	0J35250125	1	PROTECTOR, MUFFLER
4	0J00620100	4	BOLT, FLANGE

ITEM	PART NO.	QTY.	DESCRIPTION
5	0J35250124	1	GASKET, MUFFLER
6	0J35220161	2	NUT
7	0J35240145	1	BOLT, FLANGE

420cc ENGINE



Fuel Tank



ITEM	PART NO.	QTY.	DESCRIPTION
1	0J35220173	2	LOOP, TUBE (CLAMP)
2	0J35220132	1	JOINT COMP., FUEL TANK
3	0H95630110	1	TANK COMP., FUEL
4	0H95590115	1	CAP COMP., FUEL FILLER
5	0J35240144	4	BOLT, HEXAGONAL
6	0J35220133	1	FILTER, FUEL

ITEM	PART NO.	QTY.	DESCRIPTION
7	0J35250130	4	BOLT, FLANGE
8	0J35250120	1	HOLDER, FUEL TANK
9	0J35250119	1	HOLDER, FUEL TANK
10	0J35250335	1	TUBE, FUEL
11	0J35240149	4	WASHER, FLAT
12	0J35240124	1	CUSHION, RUBBER TANK