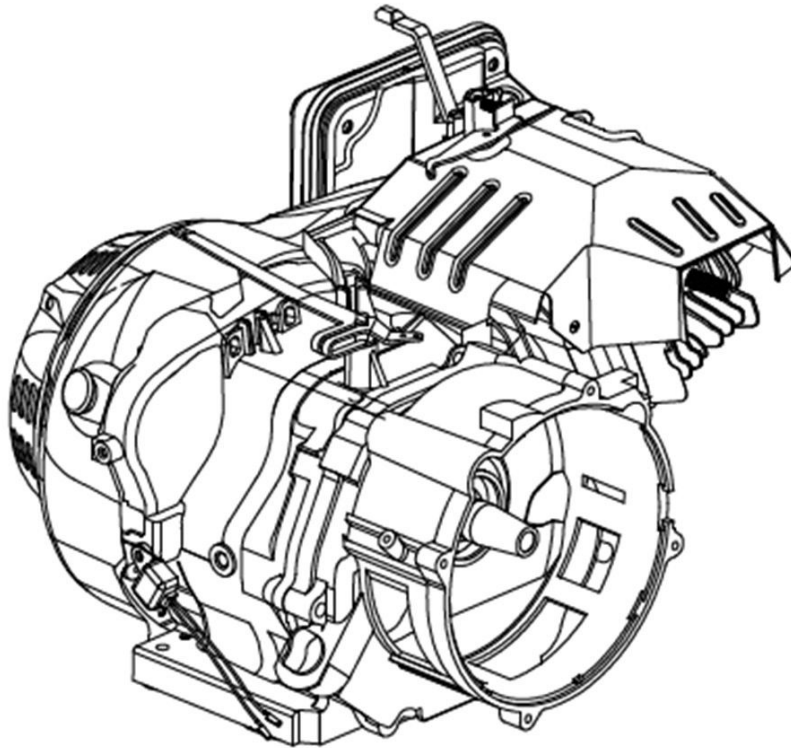


Engine Parts Manual

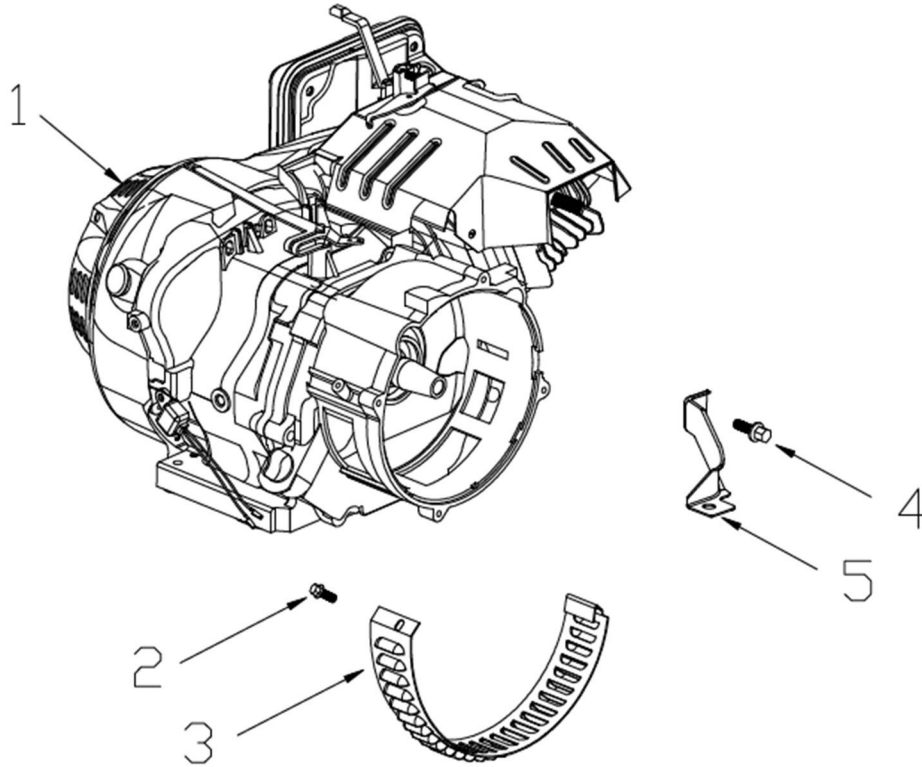
389cc (G19)



NOTICE!

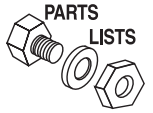
The information in this manual is known to be accurate as of the date of release shown on the cover. However, engineering changes can occur without notice. To obtain the proper parts, please be sure to use the serial number of the unit being serviced when ordering from this manual. Always refer to any parts notes and changes before ordering. All other parts not shown in this manual can be found on Generac's exploded view drawings online on GENservice at www.generac.com.

Engine

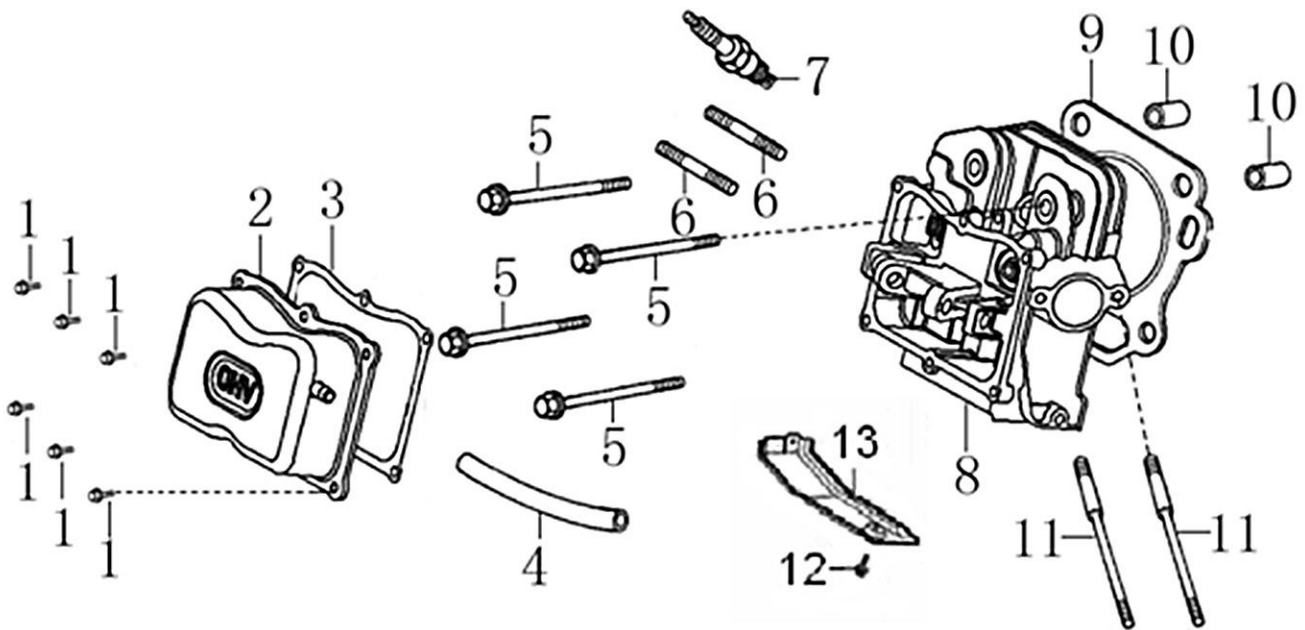


| ITEM | PART NO. | QTY. | DESCRIPTION |
|------|------------|------|----------------------|
| 1 | 0G8442C | 1 | ENGINE G390FA |
| 2 | 0J00620100 | 1 | BOLT, FLANGE M5*10 |
| 3 | 0H9761 | 1 | COVER, DUST |
| 4 | 0G84420194 | 1 | BOLT, FLANGE M6*12 |
| 5 | 0G8442C112 | 1 | BRACKET, AIR CLEANER |

389cc ENGINE

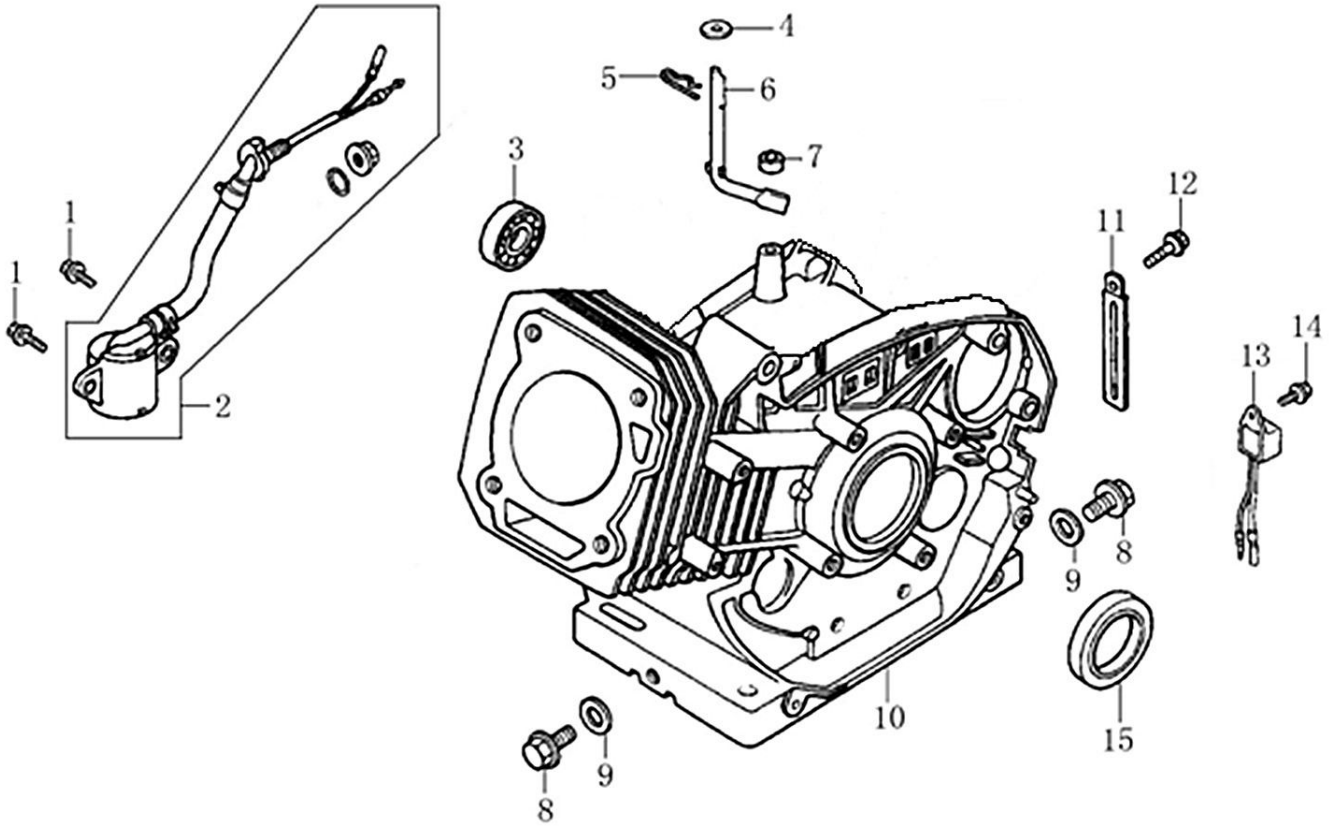


Cylinder Head



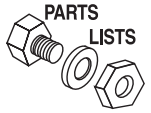
| ITEM | PART NO. | QTY. | DESCRIPTION |
|------|------------|------|---------------------|
| 1 | 0J39340111 | 6 | BOLT, FLANGE |
| 2 | 0J39340112 | 1 | COVER, HEAD |
| 3 | 0J39340113 | 1 | GASKET, HEAD COVER |
| 4 | 0J39340114 | 1 | TUBE, BREATHER |
| 5 | 0G84420211 | 4 | BOLT, FLANGE, 10x80 |
| 6 | 0G84420210 | 2 | BOLT, STUD, EXHAUST |
| 7 | 0J00620106 | 1 | SPARK PLUG |
| 8 | 0J39340115 | 1 | CYLINDER HEAD |
| 9 | 0J39340116 | 1 | GASKET, CYLINDER |
| 10 | 0G84420212 | 2 | DOWEL, PIN |
| 11 | 0K0090 | 2 | BOLT, STUD, INTAKE |
| 12 | 0G84420194 | 1 | BOLT, FLANGE M6x12 |
| 13 | 0J39340117 | 1 | SHROUD |

Crankcase

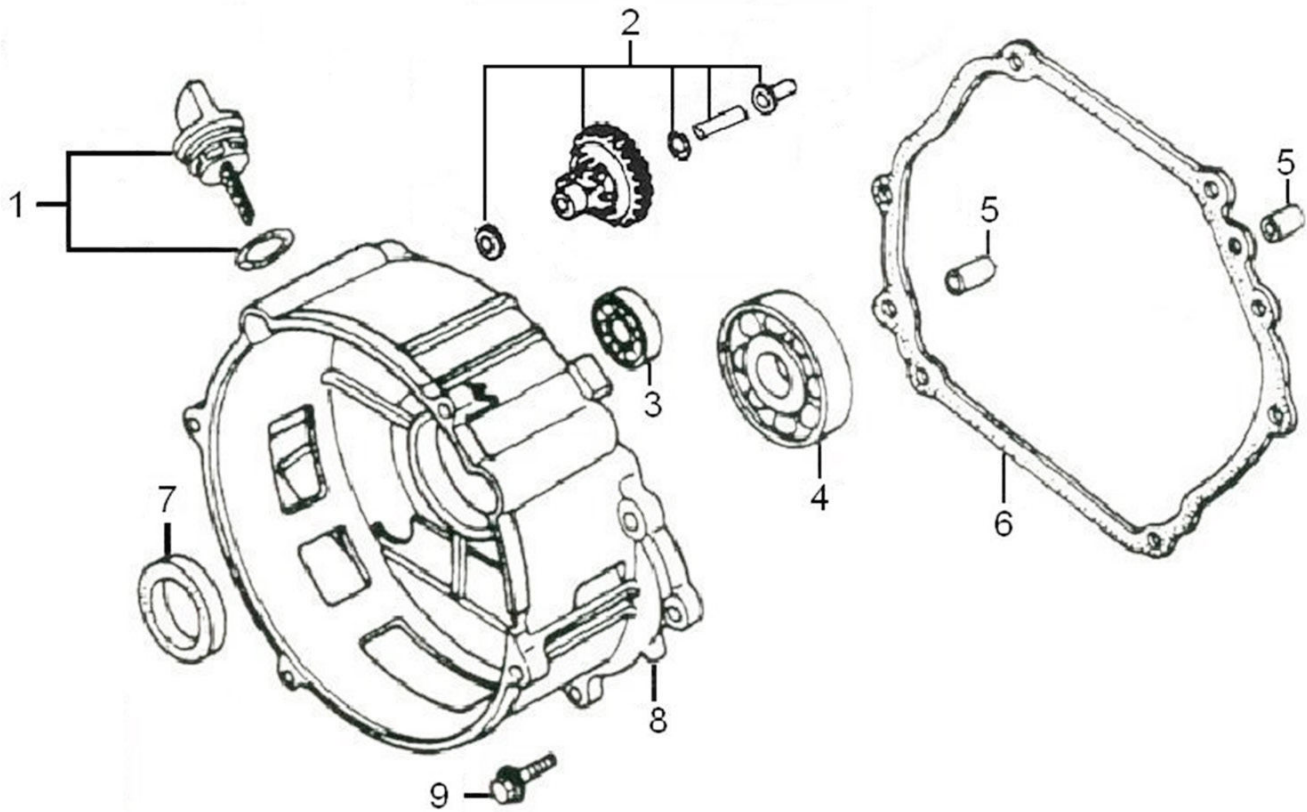


| ITEM | PART NO. | QTY. | DESCRIPTION |
|------|------------|------|----------------------------|
| 1 | 0G84420217 | 2 | BOLT, FLANGE, 6x14 |
| 2 | 0G84420105 | 1 | SWITCH ASSY., OIL LEVEL |
| 3 | 0G84420118 | 1 | BEARING, RADIAL BALL, 6202 |
| 4 | 0G84420218 | 1 | WASHER, 8*16*1.2 |
| 5 | 0G84420219 | 1 | PIN, LOCK, 10MM |
| 6 | 0G84420220 | 1 | SHAFT, GOVERNOR ARM |
| 7 | 0G84420108 | 1 | OIL SEAL, 8x14x4 |
| 8 | 0G84420110 | 2 | BOLT, DRAIN PLUG |
| 9 | 0G84420109 | 2 | WASHER |
| 10 | 0G84420216 | 1 | CRANKCASE |
| 11 | 0G84420267 | 1 | CLIP |
| 12 | 0G84420194 | 1 | BOLT, FLANGE, 6x12 |
| 13 | 0G84420112 | 1 | ALERT UNIT, OIL |
| 14 | 0G84420194 | 1 | BOLT, FLANGE, 6x12 |
| 15 | 0G84420116 | 1 | SEAL, OIL |

389cc ENGINE

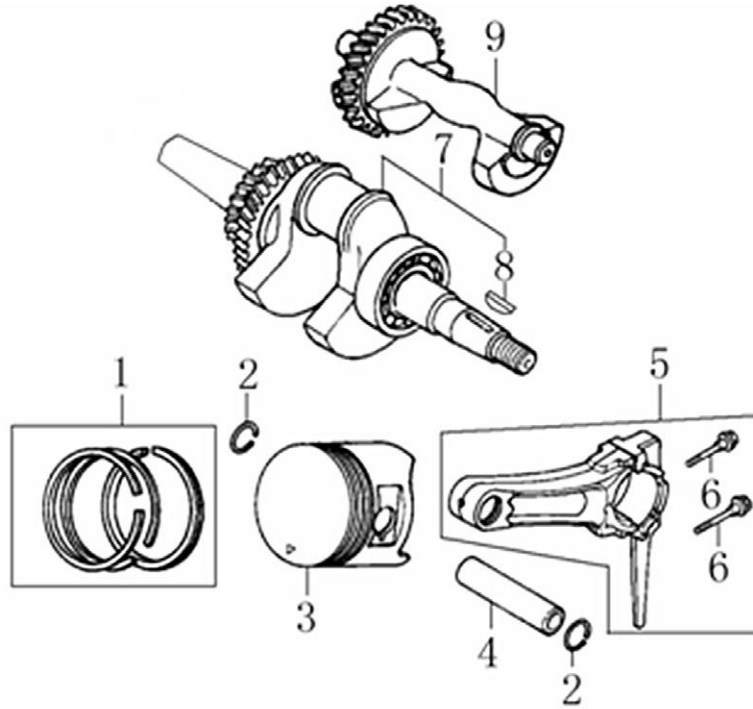


Crankcase Cover



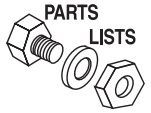
| ITEM | PART NO. | QTY. | DESCRIPTION |
|------|------------|------|---------------------------|
| 1 | 0G9799 | 1 | CAP COMP., OIL FILLER |
| 2 | 0G84420221 | 1 | GOVERNOR ASSY. |
| 3 | 0G84420118 | 1 | BEARING, RADIAL BALL 6202 |
| 4 | 0G84420117 | 1 | BEARING, RADIAL BALL 6207 |
| 5 | 0G84420228 | 2 | PIN, DOWEL 8x12 |
| 6 | 0G84420115 | 1 | GASKET, CASE COVER |
| 7 | 0G84420111 | 1 | OIL SEAL 35x52x7 |
| 8 | 0G84420227 | 1 | CRANKCASE COVER |
| 9 | 0G84420229 | 7 | BOLT, FLANGE M8x40 |

Crankshaft and Piston

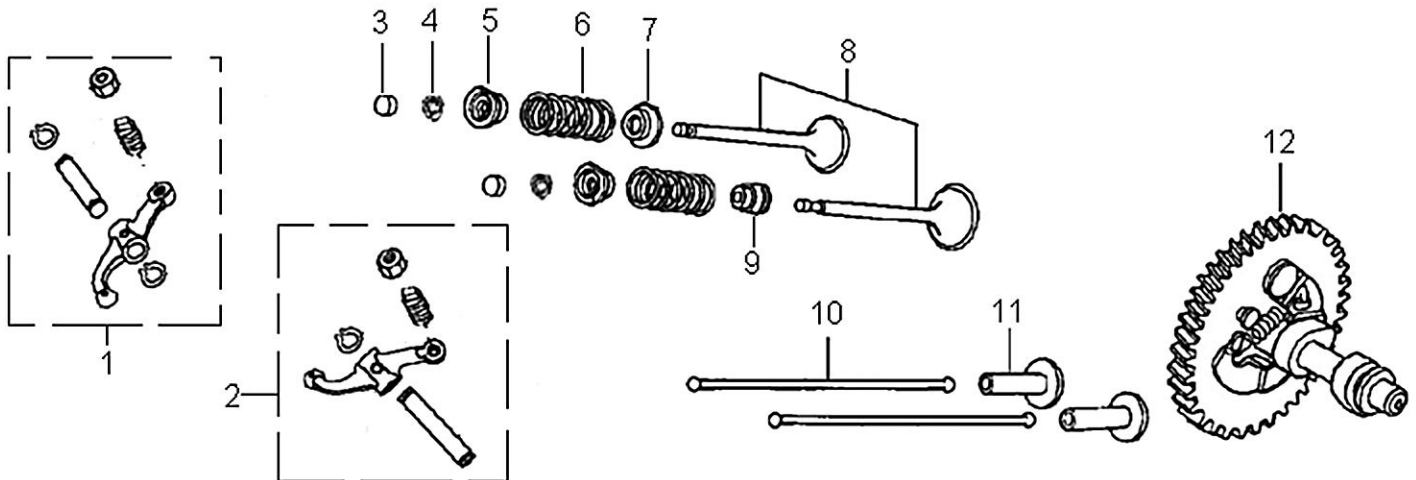


| ITEM | PART NO. | QTY. | DESCRIPTION |
|------|------------|------|-----------------------|
| 1 | 0J39430121 | 1 | RING SET, PISTON |
| 2 | 0G84420237 | 2 | CLIP, PISTON PIN |
| 3 | 0J39430122 | 1 | PISTON |
| 4 | 0G84420238 | 1 | PIN, PISTON |
| 5 | 0G84420235 | 1 | CONNECTING ROD ASSY |
| 6 | 0G84420236 | 2 | BOLT, CONNECTING ROD |
| 7 | 0G84420230 | 1 | CRANKSHAFT ASSY |
| 8 | 0J39430123 | 1 | KEY, SPECIAL WOODRUFF |
| 9 | 0G84420232 | 1 | WEIGHT, BALANCER |

389cc ENGINE

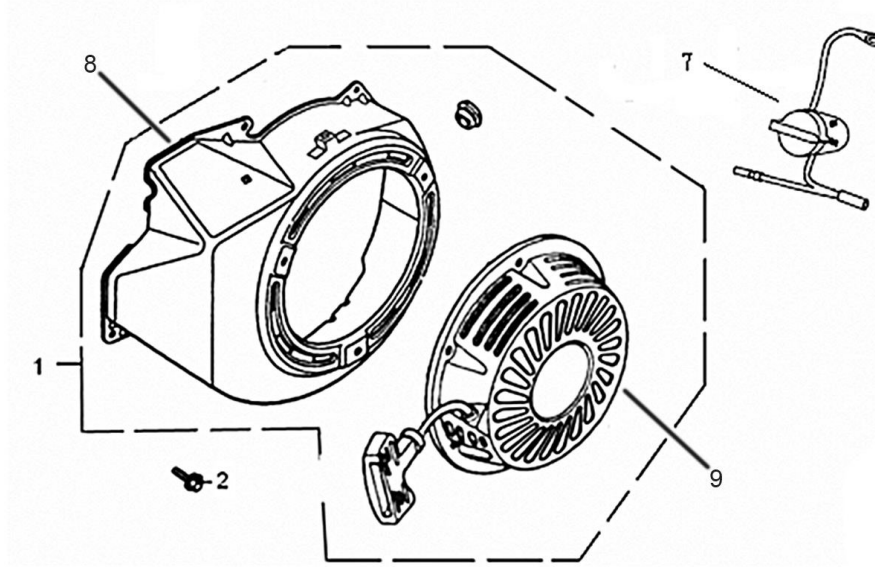


Rocker and Camshaft



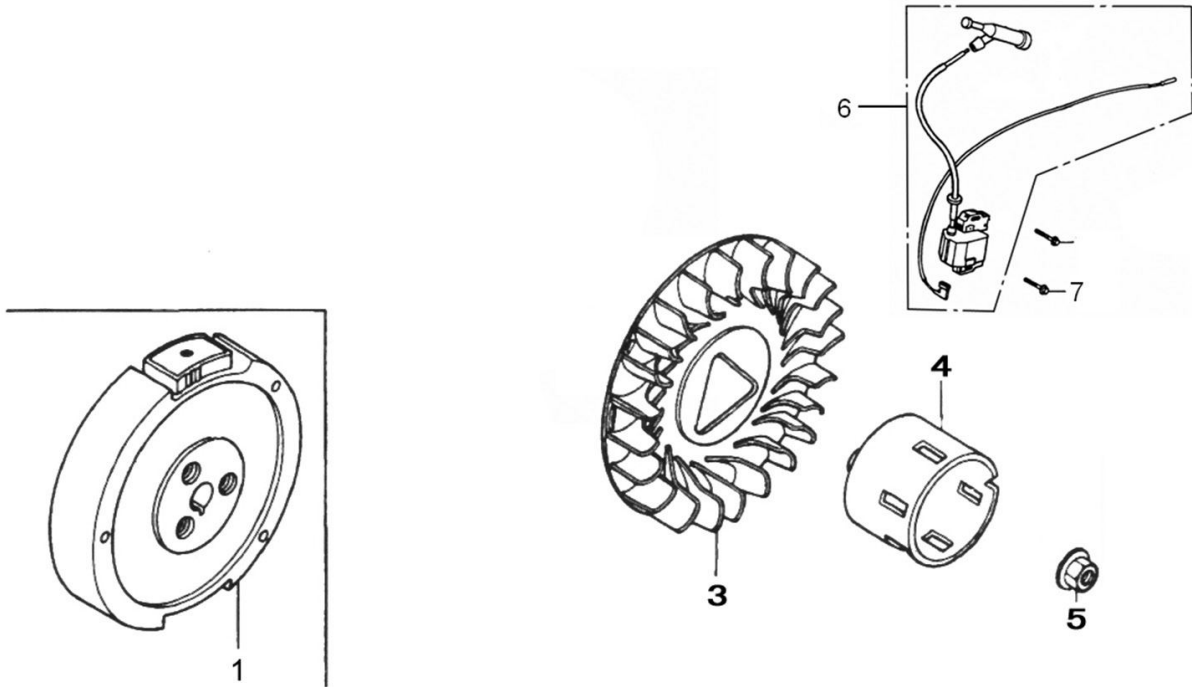
| ITEM | PART NO. | QTY. | DESCRIPTION |
|------|------------|------|------------------------|
| 1 | 0J39430124 | 1 | ROCKER ARM ASSY. |
| 2 | 0J39430125 | 1 | ROCKER ARM ASSY. |
| 3 | 0G84420122 | 2 | ROTATOR, VALVE |
| 4 | 0J35240114 | 4 | VALVE LOCKER |
| 5 | 0G84420123 | 2 | RETAINER, VALVE SPRING |
| 6 | 0G84420124 | 2 | SPRING, VALVE |
| 7 | 0G84420125 | 1 | SEAT, VALVE SPRING |
| 8 | 0J39430126 | 1 | VALVE ASSY. |
| 9 | 0G84420128 | 1 | SEAL, VALVE STEM |
| 10 | 0J39430127 | 2 | PUSH ROD |
| 11 | 0G84420174 | 2 | LIFTER, VALVE |
| 12 | 0G84420175 | 1 | CAMSHAFT ASSY |

Starter



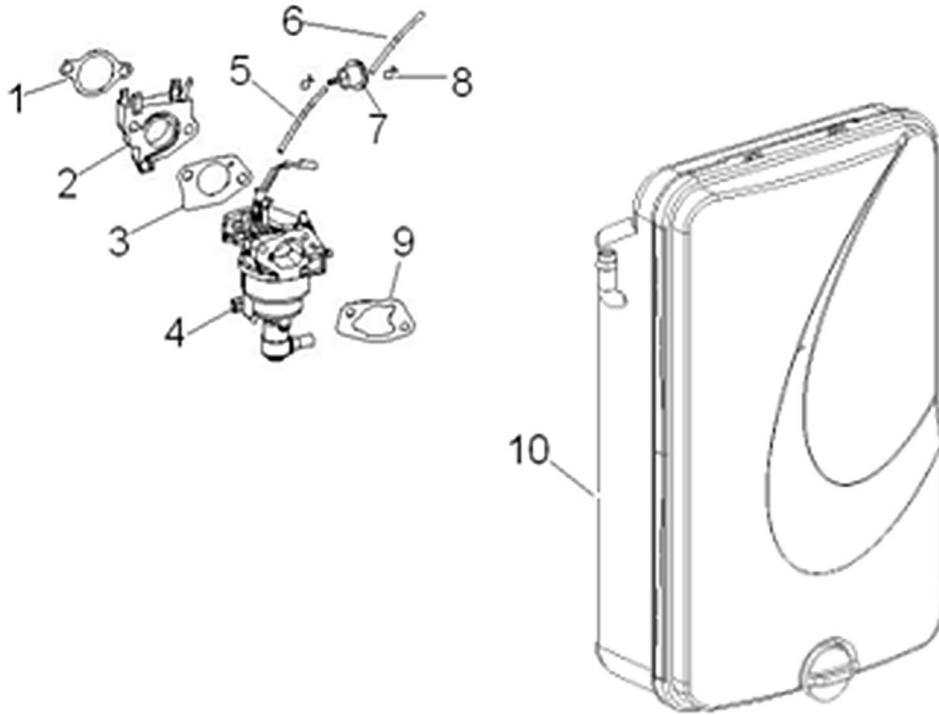
| ITEM | PART NO. | QTY. | DESCRIPTION |
|------|------------|------|--------------------------------|
| 1 | 0G8442A114 | 1 | STARTER ASSY. |
| 2 | 0G84420194 | 5 | BOLT, FLANGE |
| 7 | 0G9911 | 1 | ENGINE SWITCH |
| 8 | 0G8442A115 | 1 | BLOWER HOUSING, RECOIL STARTER |
| 9 | 0G9798 | 1 | ASSY, RECOIL STARTER |

Flywheel



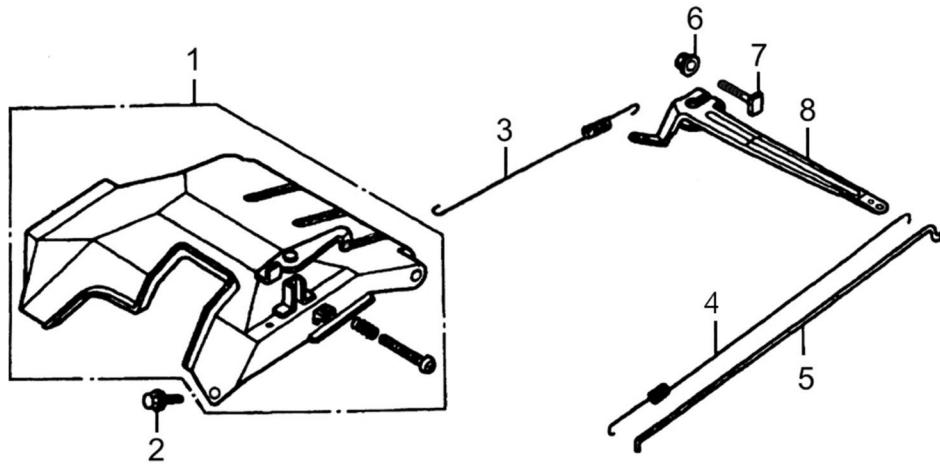
| ITEM | PART NO. | QTY. | DESCRIPTION |
|------|------------|------|----------------------|
| 1 | 0J25910111 | 1 | FLYWHEEL |
| 3 | 0G84420147 | 1 | FAN COOLING |
| 4 | 0G84420148 | 1 | PULLEY, STARTER |
| 5 | 0G84420149 | 1 | NUT SPECIAL, M16 |
| 6 | 0G84420150 | 1 | COIL ASSY., IGNITION |
| 7 | 0G84420268 | 2 | BOLT, FLANGE |

Air Cleaner and Carburetor



| ITEM | PART NO. | QTY. | DESCRIPTION |
|-------------|------------|------|---------------------|
| 1 | 0G84420144 | 1 | GASKET, CARBURETOR |
| 2 | 0J25910112 | 1 | SPACER, CARBURETOR |
| 3 | 0G9916 | 1 | GASKET, CARBURETOR |
| 4 | 0G8442A111 | 1 | CARBURETOR ASSY. |
| 5 | 0G9757B | 1 | TUBE, FUEL |
| 6 | 0G9757A | 1 | TUBE, FUEL |
| 7 | 0G9914 | 1 | FILTER |
| 8 | 048031B | 4 | CLAMP |
| 9 | 0G84420156 | 1 | GASKET, CARBURETOR |
| 10 | 0G8442C111 | 1 | AIR CLEANER |
| "Not Shown" | 0G84420151 | 1 | AIR CLEANER ELEMENT |

Control System



| ITEM | PART NO. | QTY. | DESCRIPTION |
|------|------------|------|--------------------|
| 1 | 0J39430130 | 1 | CONTORL ASSY. |
| 2 | 0G84420194 | 3 | BOLT, FLANGE, 6x12 |
| 3 | 0J39430131 | 1 | SPRING, GOVERNOR A |
| 4 | 0J39430132 | 1 | SPRING, GOVERNOR B |
| 5 | 0J39430133 | 1 | ROD, GOVERNOR |
| 6 | 0G84420196 | 1 | NUT, FLANGE, M6 |
| 7 | 0G84420197 | 1 | BOLT, GOVERNOR ARM |
| 8 | 0G84420198 | 1 | ARM, GOVERNOR |