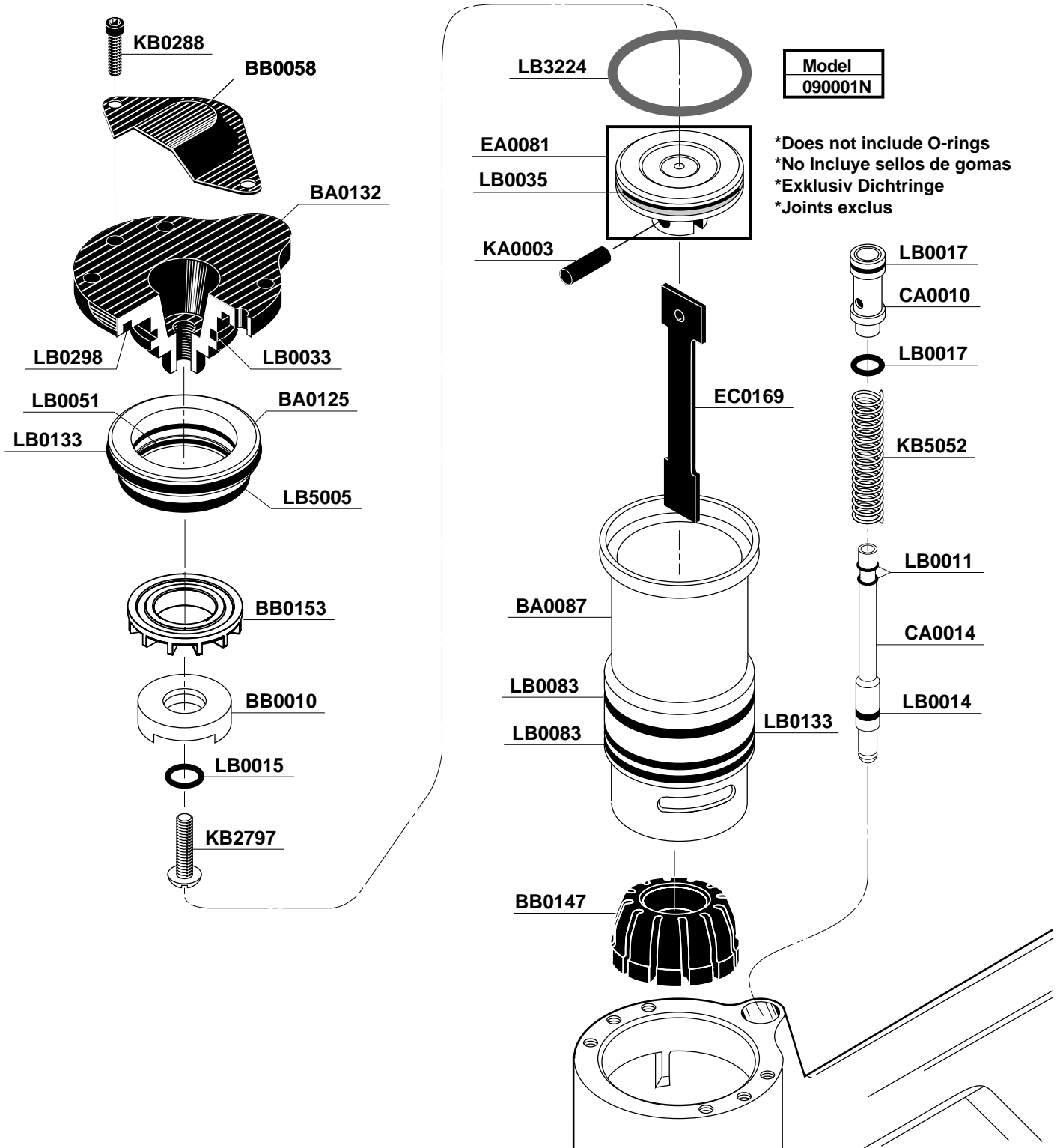
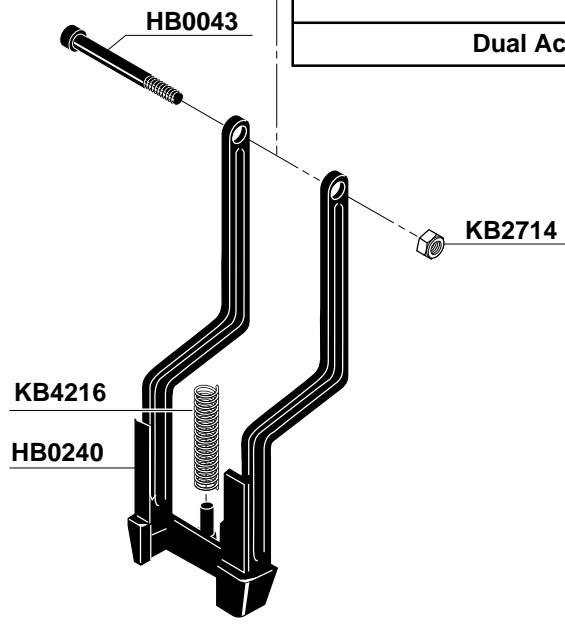
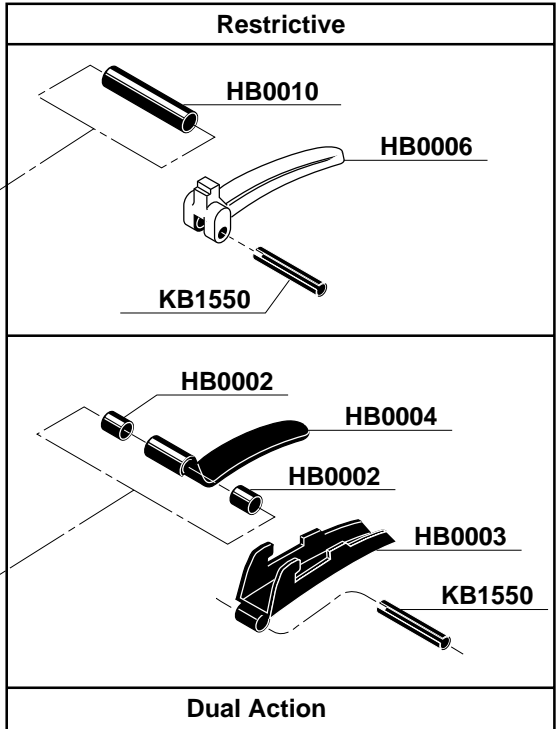
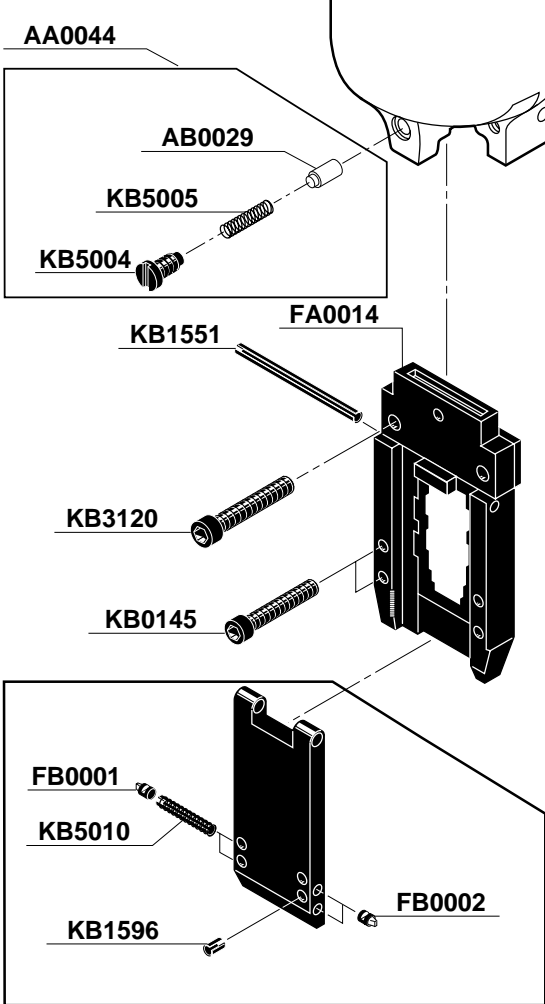
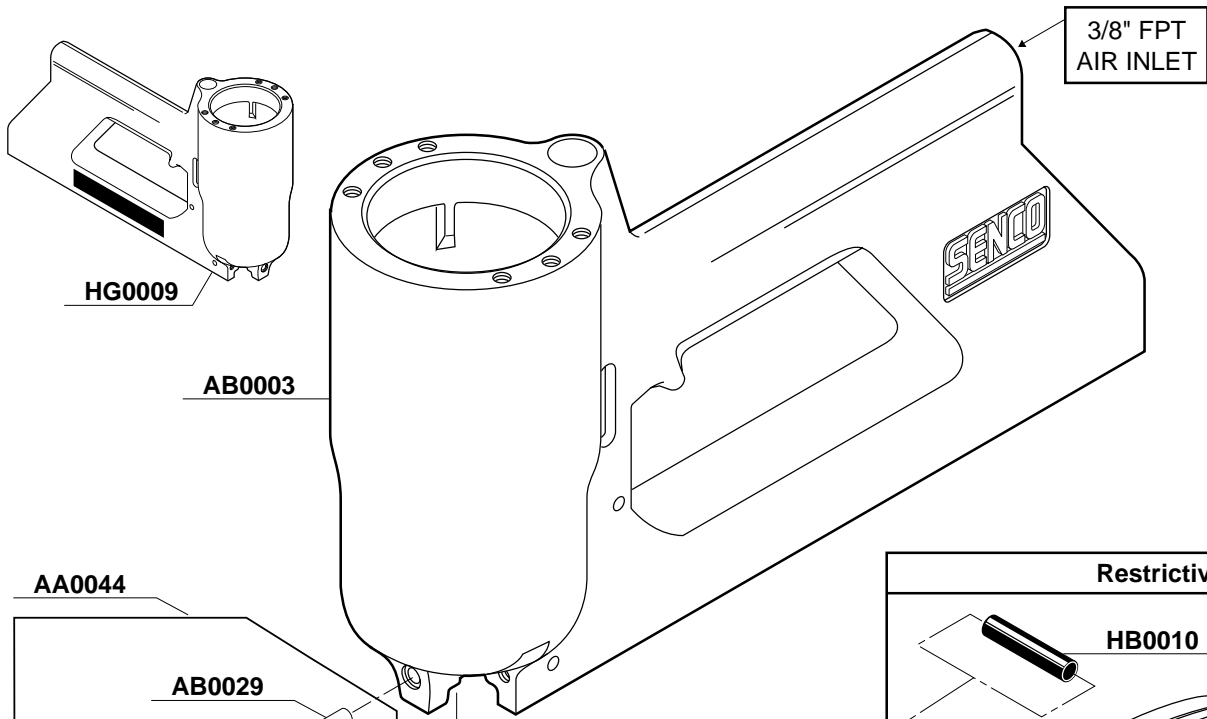
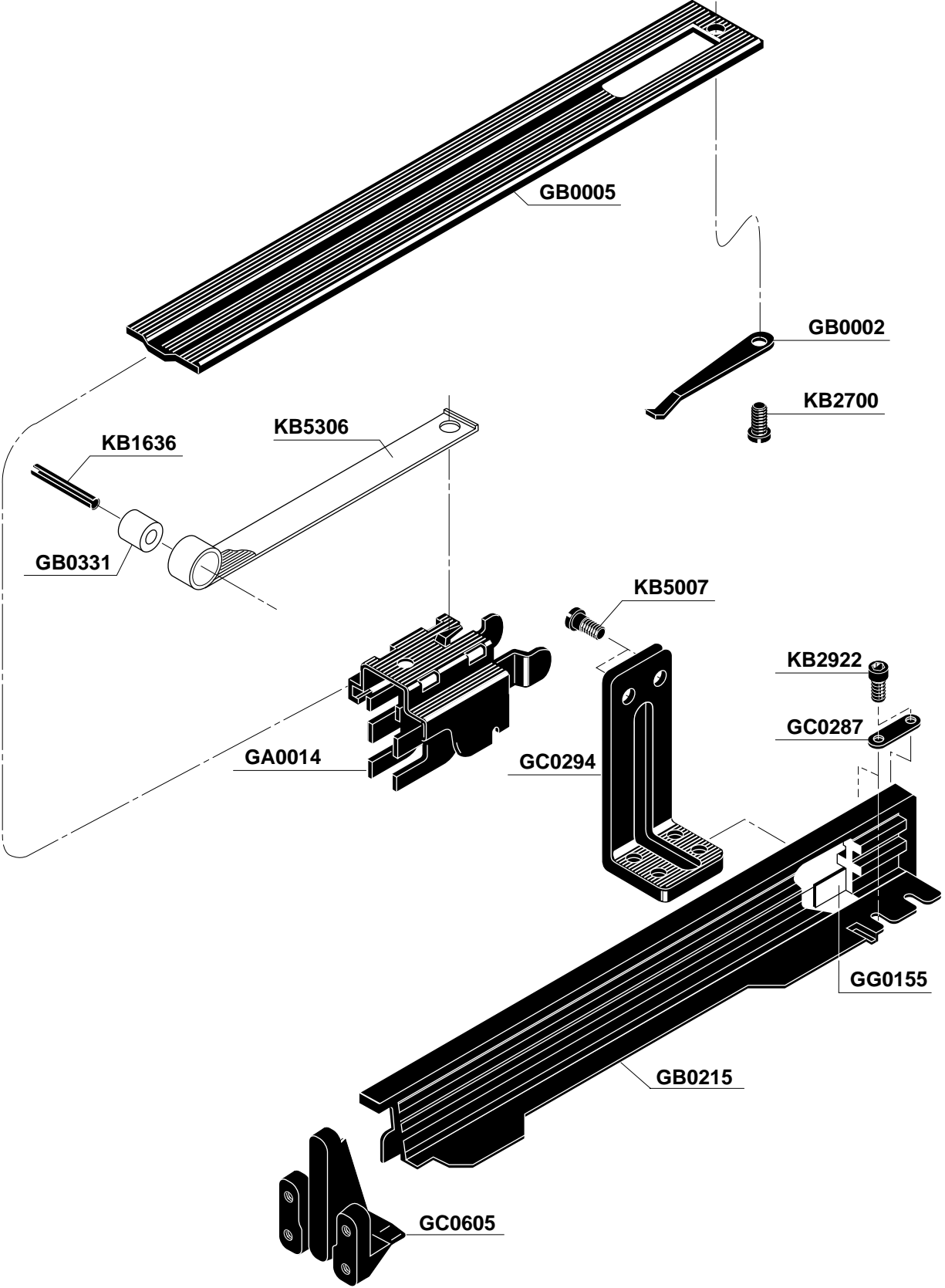


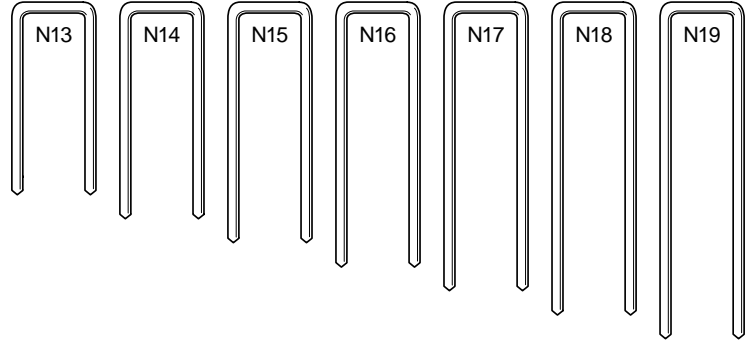
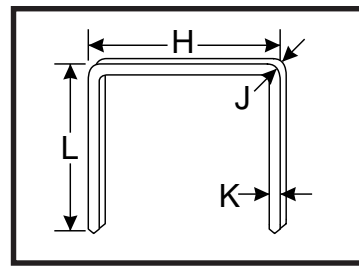
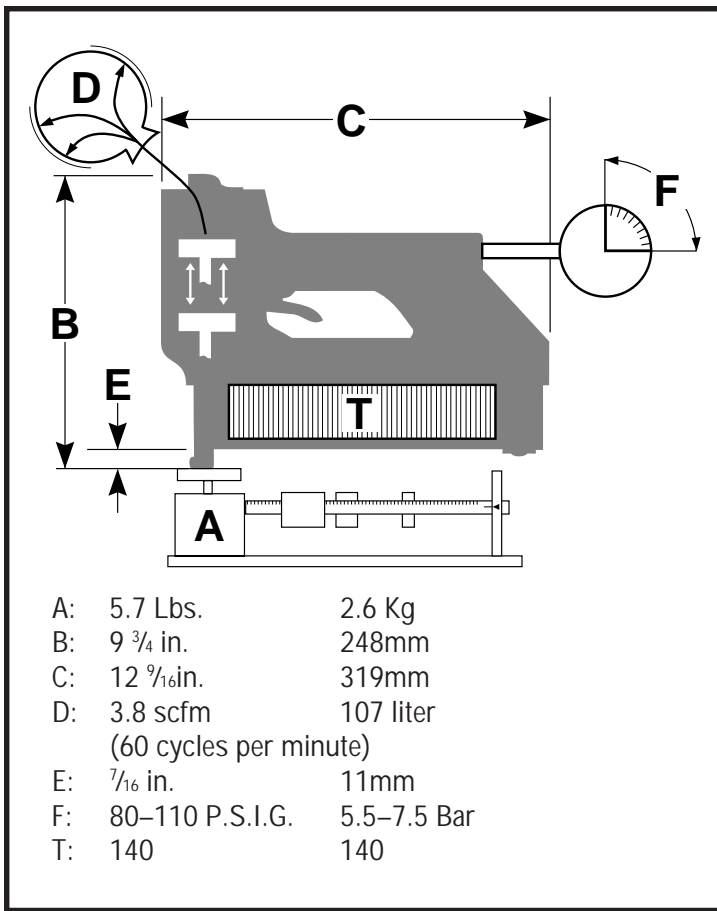
REPLACEMENT PARTS CHART
M1 STAPLER



In the U.S.A., you will find your nearest Senco location listed in the Yellow Pages under "Staples" Or, you can call our toll-free Action-line: 1-800-543-4596



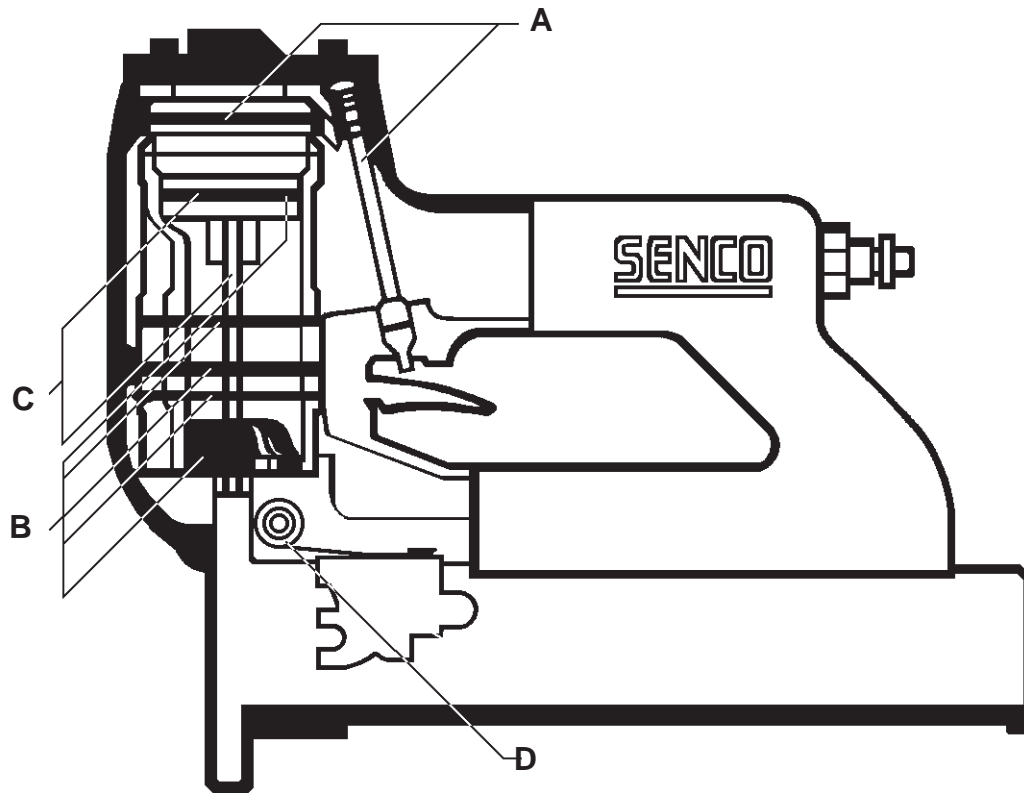




H: 7/16 in. 11mm
 J: .062 in. 1.57mm
 K: .055 in. 1.4mm
 L: 1 in.–1 3/4 in. 25mm–44mm

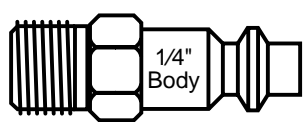
M1 Stapler Replacement Parts List

PART #	DESCRIPTION	PART#	DESCRIPTION	PART#	DESCRIPTION
AA0044	DETENT ASSY.	FB0001	RIGHT LATCH PIN	KB2714	NUT
AB0003	MAIN BODY	FB0002	LEFT LATCH PIN	KB2797	SCREW
AB0006	MAIN BODY (S/M)	FB0035	BRACER SPRING	KB2922	SCREW
AB0029	DETENT	GA0014	FEEDER SHOE	KB3120	SCREW
BA0014	METERING VALVE CORE ASSY. (S/M)	GA0020	FEEDER SPRING ASSY. (D/L)	KB4216	SPRING
BA0015	HSG. SELECTOR FIRING VALVE ASSY. (S/M)	GA0022	MAGAZINE (D/L)	KB5003	SCREW
BA0016	HSG. SELECTOR VALVE ASSY (S/M)	GB0002	RETAINER	KB5004	SCREW
BA0017	HSG. UPPER REMOTE VALVE ASSY (S/M)	GB0005	GUIDE TRACK	KB5005	SPRING
BA0018	SELECTOR VALVE CORE ASSY. (S/M)	GB0008	GUIDE TRACK (D/L)	KB5007	SCREW
BA0019	HSG. UPPER INLET VALVE ASSY. (S/M)	GB0009	EXTENSION BRACKET (D/L)	KB5010	SPRING
BA0021	CYLINDER CAP ASSY. (S/M)	GB0215	RAIL	KB5015	SPRING (S/M)
BA0026	INLET VALVE ASSY. (S/M)	GB0331	ROLLER	KB5052	SPRING
BA0027	INLET VALVE CORE ASSY. (S/M)	GC0287	WASHER	KB5306	SPRING
BA0087	CYLINDER SLEEVE ASSY.	GC0294	BRACKET	LB0010	SEAL (S/M)
BA0125	FIRING VALVE ASSY.	GC0605	MOUNT	LB0011	SEAL
BA0132	CYLINDER CAP ASSY.	GG0155	MAGAZINE LABEL	LB0013	SEAL (S/M)
BB0010	SPACER	HB0002	BUSHING	LB0014	SEAL
BB0017	LOWER INLET VALVE HSG. (S/M)	HB0003	TRIGGER	LB0015	SEAL
BB0058	EXHAUST DEFLECTOR	HB0004	TRIGGER SAFETY ELEMENT	LB0016	SEAL (S/M)
BB0147	PISTON STOP	HB0006	TRIGGER	LB0017	SEAL
BB0153	VALVE	HB0010	BUSHING	LB0018	SEAL (S/M)
CA0010	REMOTE VALVE HSG. ASSY.	HB0043	SAFETY ELEMENT STOP PIN	LB0033	SEAL
CA0011	REMOTE VALVE HSG. ASSY.(S/M)	HB0240	SAFETY ELEMENT	LB0035	SEAL
CA0012	REMOTE VALVE CAGE ASSY. (S/M)	HG0009	LABEL (SAFETY PRECAUTIONS)	LB0051	SEAL
CA0014	REMOTE VALVE CORE ASSY.	KA0003	DRIVER PIN ASSY.	LB0083	SEAL
CA0015	REMOTE VALVE ASSY. (S/M)	KB0145	SCREW	LB0133	SEAL
EA0081	PISTON	KB0288	SCREW	LB0274	SEAL (S/M)
EB0011	DRIVER (1/16" CSK.)	KB1511	WASHER	LB0298	SEAL
EB0012	DRIVER (1/8" CSK.)	KB1550	PIN	LB0756	SEAL (S/M)
EC0169	DRIVER (3/16" CSK.)	KB1551	PIN	LB0757	SEAL (S/M)
FA0012	GUIDE BODY ASSY.	KB1596	PIN	LB0758	SEAL (S/M)
FA0014	BACKPLATE	KB1636	PIN	LB3224	SEAL
FA0017	GATE ASSY.	KB1727	RETAINER	LB5005	SEAL
FA0114	GUIDE BODY ASSY.	KB1742	RETAINER	LB5007	SEAL (S/M)
		KB2700	SCREW	LB5009	SEAL (S/M)
				LB5019	SEAL (S/M)



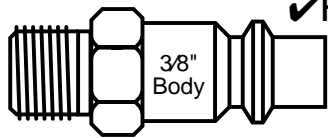
Síntoma	Escape de Air (Arriba) Herramienta no mueve Operación Floja	Escape de Air (Abajo) Retorno Flojo	Penetrado Flojo Lanzeta Quebrada	Alimentador podr Entrancado de la Herramienta
Symptôme	Fuite à l'échappement Ne fonctionne plus Appareil lent	Fuite à la base du moteur Remontée du couteau lente	Peu de puissance Mauvaise percussion	Enraiments Mauvaise avance des projectiles
Symptome	Undichtigkeit oben am Gerät Gerät reagiert nicht	Undichtigkeit unten am Gerät keine oder nur unzureichende Rückführung	Gerät treibt nicht ein Gebrochener Treiber	Befestiger werden nicht nachgeschoben Gerät ist verklemmt
Symptom	Air Leak (Top) Tool does nothing Sluggish	Air Leak (Bottom) Poor Return	Weak Drive Broken Driver	Poor Feed Tool Jamming
Model	A	B	C	D
M1	YK0005	YK0006	YK0008	YK0012

Available Plugs
(Not Included with Tool)



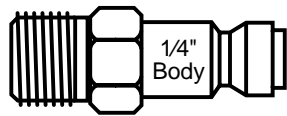
PC0480

Ind. Interchange 3/8" MPT



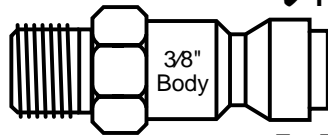
✓PC0485

Ind. Interchange 3/8" MPT



PC0469

Tru-Flate 3/8" MPT



✓PC0475

Tru-Flate 3/8" MPT

✓ Recommended Plugs
Plugs shown smaller than actual size