



SERVICE PARTS LIST

BULLETIN NO.
54-08-0225

SPECIFY CATALOG NO. AND SERIAL NO. WHEN ORDERING PARTS		REVISED BULLETIN 54-08-0224	DATE May '84
1/4" DRILL			
CATALOG NO. 0801		STARTING SERIAL NO. 485-9000	
WIRING INSTRUCTION 58-01-0182			
CAT. NO.	START SER. NO.	BILINGUAL LABEL	

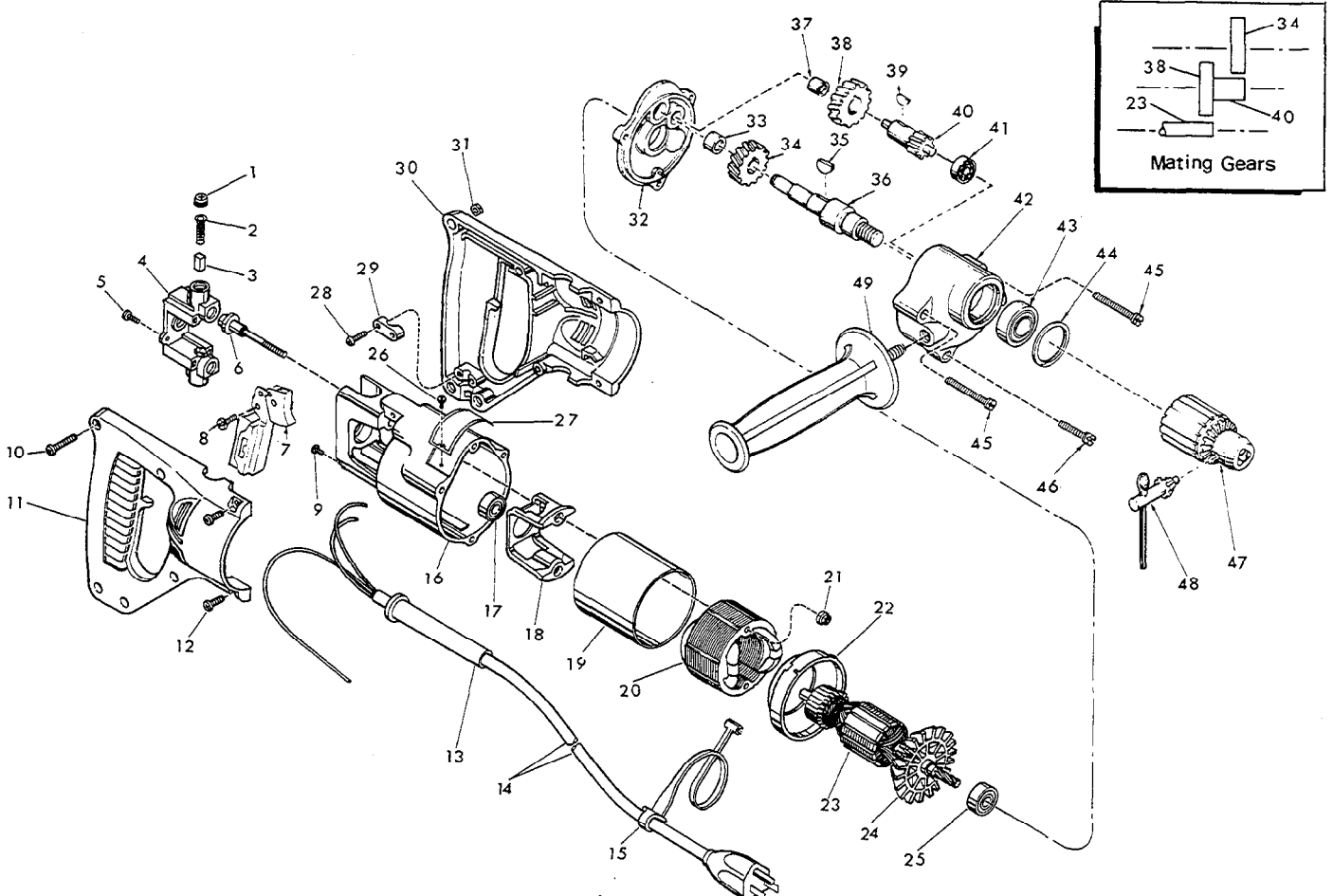


FIG.	PART NO.	DESCRIPTION OF PART	NO. REQ.
★ 1	23-44-0190	Brush Retaining Screw	(2)
2	23-52-0160	Brush Spring	(2)
★ 3	22-16-0275	Carbon Brush	(2)
★ 4	22-22-1330	Brush Holder Assembly	(1)
★ 5	06-95-0075	6-32 x 3/8 Trus Hd. Taptite Screw	(2)
★ 6	06-81-1058	Insulated Field Bolt	(2)
7	23-66-0505	Switch	(1)
8	06-95-0215	8-18 x 1/2 Thread Form. Screw	(1)
9	06-95-5150	6-32 x 1/4 Ground Screw	(1)
10	06-81-0473	8-32 x 1 Pan Hd. Screw	(5)
★ 11	31-44-1380	R.H. Half D Handle	(1)
12	06-95-0700	8-32 x 1/2 Pan Hd. Screw	(4)
★ 13	44-76-0150	Cord Protector	(1)
★ 14	22-64-0155	Cord Set	(1)
15	48-66-4080	Key Holder	(1)
★ 16	28-50-6201	Motor Housing	(1)
★ 17	02-04-0845	Ball Bearing	(1)
18	31-55-0030	Coil Shield	(1)
19	23-16-0456	Field Insulator	(1)
20	18-30-0100	120 V. Field	(1)
21	06-57-2975	8-32 Flexlock Hex Nut	(2)
22	31-05-0050	Baffle	(1)
★ 23	16-30-0225	120 V. Armature (Incl. Fig. No. 24)	(1)
24	22-84-0530	Fan Assembly	(1)
★ 25	02-04-0911	Ball Bearing	(1)
26	06-85-0200	6 x 1/4 Rd. Hd. Type Z Screw	(2)
27	12-99-0030	Nameplate	(1)

FIG.	PART NO.	DESCRIPTION OF PART	NO. REQ.
★ 28	06-95-0216	8-16 x 5/8" Plastite Screw	(2)
★ 29	31-17-0156	Cord Clamp	(1)
★ 30	31-44-1375	L.H. Half D Handle	(1)
31	06-55-0835	8-32 Hex Nut	(5)
★ 32	28-28-0585	Diaphragm (Incl. 06-65-0825 Groove Pin)	(1)
33	02-50-2110	Needle Bearing	(1)
34	32-75-1921	Spindle Gear	(1)
35	06-42-1200	Woodruff Key	(1)
36	38-50-2551	Spindle	(1)
37	02-50-1640	Needle Bearing	(1)
38	32-40-1241	Intermediate Gear	(1)
39	06-42-0800	Woodruff Key	(1)
40	36-66-2501	Intermediate Shaft	(1)
41	02-04-0640	Ball Bearing	(1)
42	28-14-0686	Gear Case	(1)
43	02-04-1560	Ball Bearing	(1)
44	34-80-2500	Retaining Ring	(1)
★ 45	06-95-5270	8-32x1-7/8 Fil. Hd. Sem	(2)
★ 46	06-95-5250	8-32x1-1/8 Fil Hd. Sem	(1)
★ 47	48-66-0104	1/4" Chuck (Includes Fig. 48)	(1)
48	48-66-3200	Chuck Key	(1)
★ 49	43-62-0875	Side Handle	(1)
50	10-98-5987	Warning Label (Not Shown)	