

# SERVICE PARTS LIST

**BUL. 54-08-0220**

**1/4" DRILL**

REVISED BUL. DATE  
Feb. '73

**Catalog No. 0801**

Starting Serial No. **485-1001**

WIRING INSTRUCTIONS  
**58-01-0175**

Specify Catalog and Serial No. when ordering parts

1800 R.P.M.

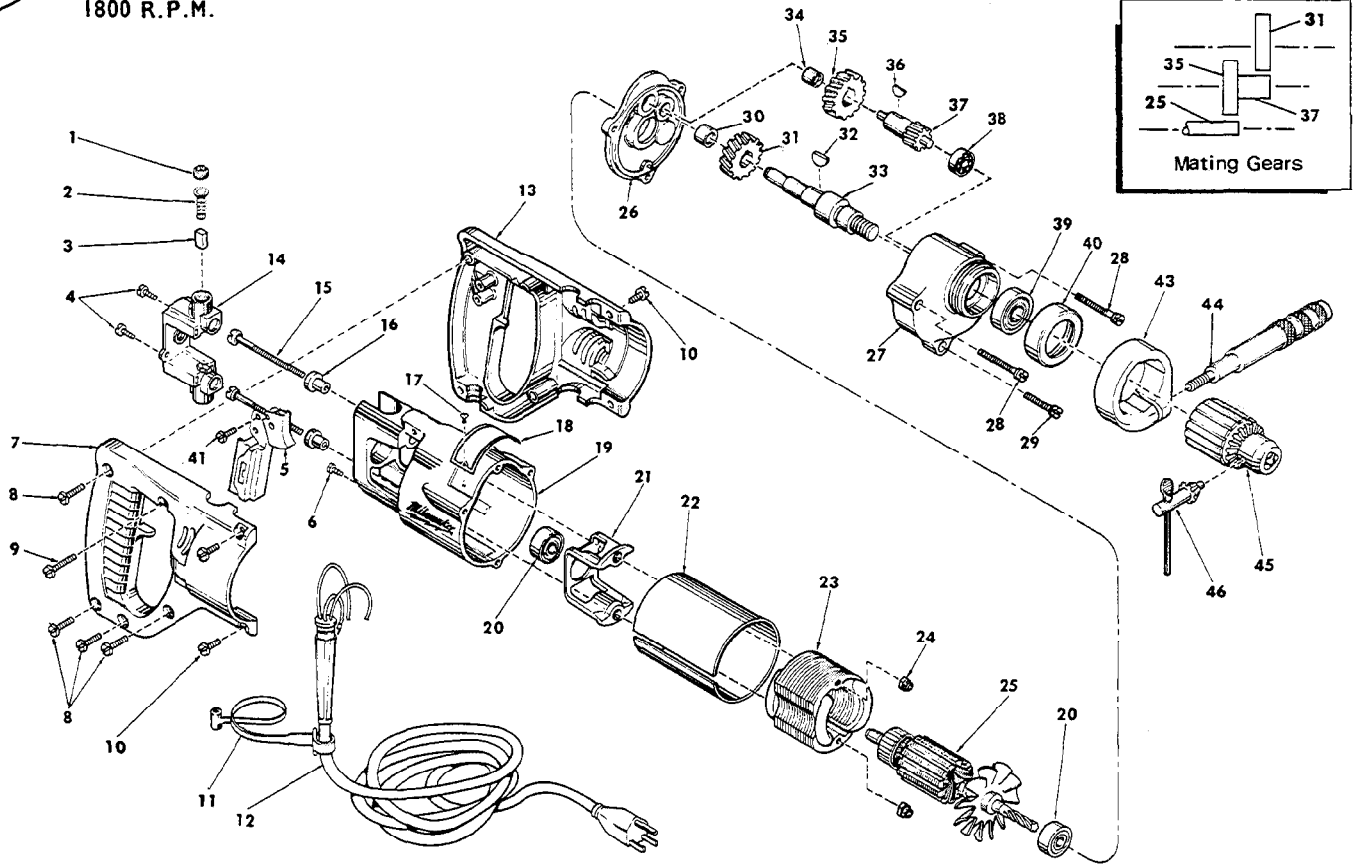


FIG.	PART NO.	DESCRIPTION OF PART	NO. REQ.	FIG.	PART NO.	DESCRIPTION OF PART	NO. REQ.
1	23-44-0120	Brush Retaining Screw	(2)	25	16-42-1400	115 V. Armature	(1)
2	23-52-0160	Brush Spring	(2)	26	28-28-0581	Diaphragm	(1)
3	22-16-0250	Carbon Brush	(2)	27	28-14-0681	Gear Case	(1)
4	06-81-5475	6-32x3/8 Binding Hd. Sem	(2)	28	06-81-6705	8-32x 1-7/8 Fil. Hd. Sem	(2)
5	23-66-0505	Switch	(1)	29	06-81-6400	8-32x 1-1/8 Fil. Hd. Sem	(1)
6	06-81-8625	6-32x1/4 Ground Screw	(1)	30	02-50-2110	Needle Bearing	(1)
7	31-44-0370	R.H. Half D Handle	(1)	31	32-75-1921	Spindle Gear	(1)
8	06-81-0400	8-32x3/4 Pan Hd. Screw	(4)	32	06-42-1200	Woodruff Key	(1)
9	06-81-0470	8-32x1 Pan Hd. Screw	(1)	33	38-50-2551	Spindle	(1)
10	06-81-0045	8-32x1/2 Pan Hd. Screw	(4)	34	02-50-1640	Needle Bearing	(1)
11	48-66-4080	Key Holder	(1)	35	32-40-1241	Intermediate Gear	(1)
12	22-64-0385	Cord Set	(1)	36	06-42-0800	Woodruff Key	(1)
13	31-44-0380	L.H. Half D Handle	(1)	37	36-66-2501	Intermediate Shaft	(1)
14	22-22-0300	Brush Holder Assembly	(1)	38	02-04-0640	Ball Bearing	(1)
15	06-81-1050	8-32x2-7/16 Field Bolt	(2)	39	02-04-1560	Ball Bearing	(1)
16	31-86-0120	Insulating Spacer	(2)	40	42-52-0071	Bearing Cap	(1)
17	06-85-0200	6x1/4 Rd. Hd. Type Z Screw	(2)	41	06-81-5500	8-32x3/8 Binding Hd. Sem	(2)
18	12-99-0030	Nameplate	(1)	42	49-15-0200	Side Handle Assy. (Includes Fig. Nos. 43 & 44)	(1)
19	28-50-6141	Motor Housing	(1)	43	28-82-0130	Handle Ring	(1)
20	02-04-0940	Ball Bearing	(2)	44	43-62-0160	Side Handle	(1)
21	31-55-0080	Coil Shield	(1)	45	48-66-0300	1/4" Chuck (Includes Fig. 46)	(1)
22	23-16-0435	Field Insulator	(1)	46	48-66-3200	Chuck Key	(1)
23	18-42-1200	115 V. Field	(1)				
24	06-57-2975	8-32 Flexlock Hex Nut	(2)				