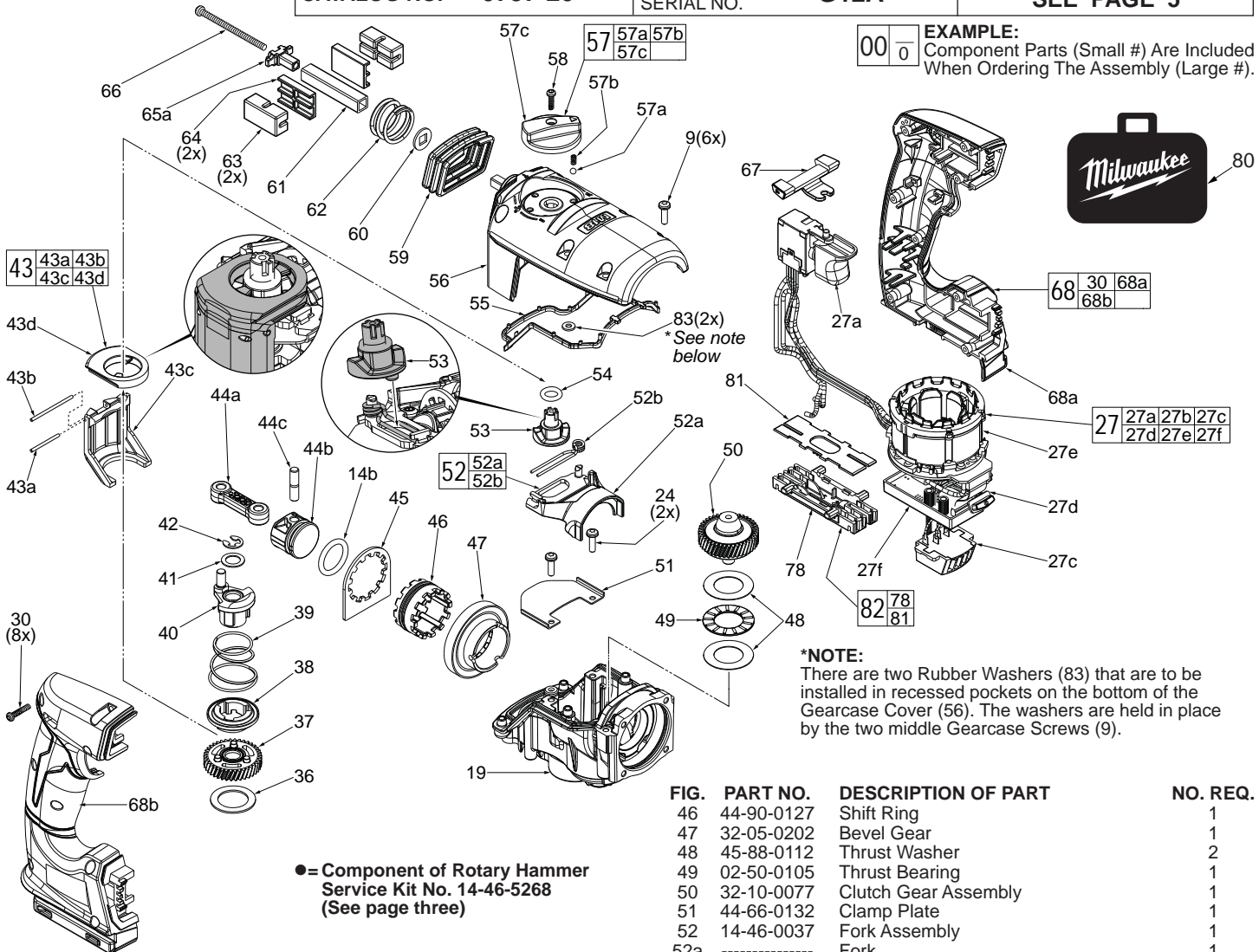




SERVICE PARTS LIST

BULLETIN NO.
54-24-2710

SPECIFY CATALOG NO. AND SERIAL NO. WHEN ORDERING PARTS		REVISED BULLETIN	DATE
M28 FUEL™ 1-1/8" (3kg) Rotary Hammer			Jan. 2015
CATALOG NO.	0757-20	STARTING SERIAL NO.	G12A
		WIRING INSTRUCTION	SEE PAGE 5



EXAMPLE:
Component Parts (Small #) Are Included When Ordering The Assembly (Large #).

***NOTE:**
There are two Rubber Washers (83) that are to be installed in recessed pockets on the bottom of the Gearcase Cover (56). The washers are held in place by the two middle Gearcase Screws (9).

● = Component of Rotary Hammer Service Kit No. 14-46-5268 (See page three)

FIG.	PART NO.	DESCRIPTION OF PART	NO. REQ.
9	06-75-2408	M4 x 17mm Pan Hd. Taptite T-20 w/Nylok	6
14b	34-40-0068	O-Ring (1 on Piston #42b, 1 on Ram #14a)	2
19	14-30-0037	Gearbox Assembly	1
24	05-78-0105	M4 x 10mm Pan Hd. Taptite Screw (2 of 4)	2
27	14-20-0757	Electronics Assembly	1
27a	23-66-0027	On-Off Switch	1
27b	-----	Battery Terminal Connector Block	1
27c	-----	Connector Assembly	1
27d	-----	LED Assembly	1
27e	-----	Stator Assembly	1
27f	-----	PCB Assembly	1
30	06-82-2025	M3.5 x 16mm Pan Hd. Plast. T-10 (8 of 23)	23
36	45-88-0106	Washer	1
37	32-60-0112	Crank Gear Assembly with Needle Bearing	1
38	44-90-0152	Crank Shift Ring	1
39	40-50-0107	Crank Spring	1
40	14-09-0110	Crank Assembly	1
41	44-66-0122	Crank Shim	1
42	42-70-5268	● Retaining E-Ring	1
43	14-46-0117	Chisel Shifter Assembly	1
43a	-----	M2 x 27mm Dowel Pin	1
43b	-----	M2 x 40mm Dowel Pin	1
43c	-----	Chisel Bracket	1
43d	-----	Chisel Shift Driver	1
44a	44-94-0022	Connecting Rod	1
44b	44-62-0302	Piston	1
44c	44-60-0147	Wrist Pin	1
45	44-66-0303	Locking Plate	1

FIG.	PART NO.	DESCRIPTION OF PART	NO. REQ.
46	44-90-0127	Shift Ring	1
47	32-05-0202	Bevel Gear	1
48	45-88-0112	Thrust Washer	2
49	02-50-0105	Thrust Bearing	1
50	32-10-0077	Clutch Gear Assembly	1
51	44-66-0132	Clamp Plate	1
52	14-46-0037	Fork Assembly	1
52a	-----	Fork	1
52b	-----	Fork Spring	1
53	42-90-0022	Shifting Coupler	1
54	34-40-0093	● O-Ring	1
55	42-92-0052	● Gearcase Gasket (See page three)	1
56	28-14-0102	Gearcase Cover	1
57	44-10-0057	Selector Knob Assembly	1
57a	-----	Selector Ball	1
57b	-----	Selector Spring	1
57c	-----	Selector Knob	1
58	06-82-2025	M3.5 x 16mm Pan Hd. Plastite T-10 Screw	1
59	22-90-0132	Top Bellow	1
60	45-88-0153	Vibration Washer (1 each for top & bottom AVS)	2
61	44-20-0141	Top AVS Square Guide Pipe	1
62	40-50-0211	Top AVS Spring	1
63	42-38-0077	Vibration Bumper (2 each for top & bottom AVS)	4
64	42-38-0137	Bumper Holder (2 each for top & bottom AVS)	4
65a	44-66-0132	Retaining Plate	1
66	05-78-0012	M4 x 52mm Scr. (1 each for top & bottom AVS)	2
67	42-42-2715	Forward/Reverse Button	1
68	31-44-0757	Handle Assembly	1
68a	-----	Left Handle Halve	1
68b	-----	Right Handle Halve	1
78	-----	Connector Block	1
80	42-55-0075	Blow Molded Carrying Case	1
81	-----	Connector Block Cover	1
82	22-56-0977	Connector Block Assembly	1
83	45-88-0014	● Rubber Washer	2

● = Component of Rotary Hammer
Service Kit No. 14-46-5268

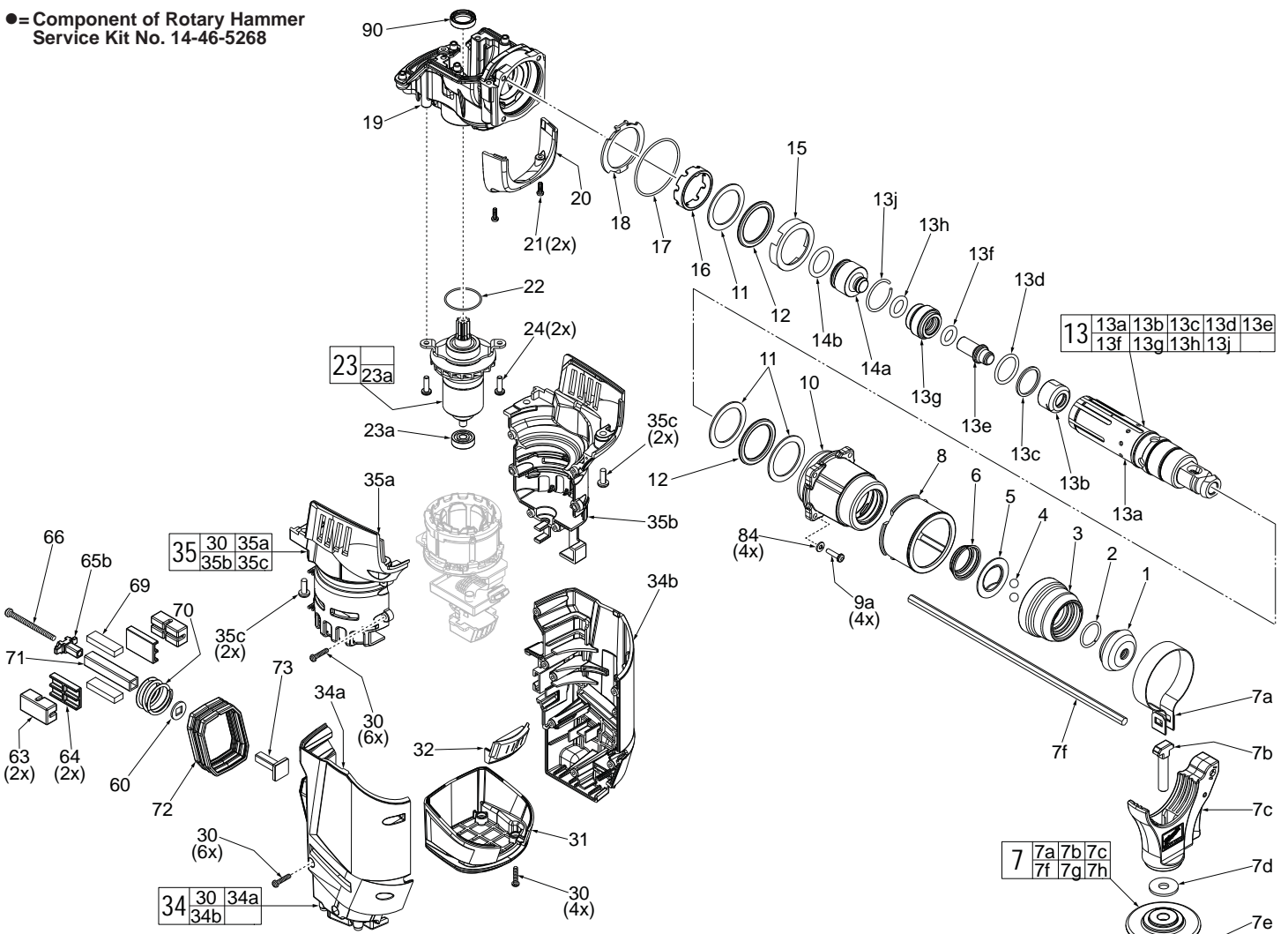


FIG.	PART NO.	DESCRIPTION OF PART	NO. REQ.
1	45-12-0045	● Dust Shield	1
2	44-90-5262	● Retaining Ring	1
3	45-22-0062	Collar with Steel Insert	1
4	02-02-0275	● 7mm Steel Ball	2
5	42-36-0017	● Ball Support Plate	1
6	40-50-0082	Conical Spring	1
7	14-34-0015	Side Handle Assembly	1
7a	44-66-0072	Clamp Collar	1
7b	05-81-5376	M8 x 53mm Screw	1
7c	-----	Side Handle Carrier Assembly	1
7d	45-88-5377	Washer	1
7e	31-05-5383	Side Handle	1
7f	44-94-5381	Depth Rod	1
8	45-22-0045	Side Handle Sleeve	1
9a	05-78-5316	M4 x 14mm Pan Hd. Taptite T-20 Screw	4
10	42-40-0127	Bushing Sleeve Assembly with Seals	1
11	45-88-0157	Washer	3
12	45-38-0127	● Bumper	2
13	14-46-0197	Spindle Assembly	1
13a	38-50-0052	Spindle	1
13b	43-06-0060	Brake Ring	1
13c	44-66-0203	Anvil Ring	1
13d	34-40-0032	● Square O-Ring	1
13e	42-06-0027	Anvil/Striker	1
13f	34-40-0052	● Anvil O-Ring	1
13g	42-06-0067	Ram Catcher	1
13h	44-90-0032	● Back Pressure Ring	1
13j	34-60-0027	● Anvil Retaining Ring	1
14a	45-56-0065	Ram	1
14b	34-40-0068	● O-Ring (1 on Ram #14a, 1 on Piston #42b)	2
15	45-88-0042	Bumper/Washer Holder	1
16	42-76-0037	Spindle Collar	1
17	34-40-0082	● O-Ring	1
18	44-60-0119	Retaining Plate	1
19	14-30-0037	Gearbox Assembly	1
20	31-15-0033	Shroud	1
21	05-86-1000	M3 x 9.5mm Pan Hd. Taptite T-10 Screw	2
22	34-40-5320	O-Ring	1
23	16-07-2715	● Rotor Assembly	1
23a	02-04-5382	Ball Bearing	1
24	05-78-0105	M4 x 10mm Pan Hd. Taptite Screw	2
30	06-82-2025	M3.5 x 16mm Pan Hd. Plast. T-10 (15 of 23)	23
31	23-44-0055	Bottom Cap	1
32	42-28-0077	Bottom Cap/Connector Rubber	1
34	31-44-0042	Housing Assembly	1
34a	-----	Housing Cover (Right Housing)	1
34b	-----	Housing Support (Left Housing)	1
35	31-50-2715	Motor Housing Assembly	1
35a	-----	Motor Housing Cover (Right Motor Housing)	1
35b	-----	Motor Housing Support (Left Motor Housing)	1
35c	05-74-0990	M5 x 15mm Taptite T-25 Screw	4
60	45-88-0153	Vibration Washer (1 of 2)	2
63	42-38-0077	Vibration Bumper (2 of 4)	4
64	42-38-0137	Bumper Holder (2 of 4)	4
65b	44-66-0131	Retaining Plate	1
66	05-78-0012	M4 x 52mm Scr. (1 each for top & bottom AVS)	2
69	44-52-0052	Foam Block	2
70	40-50-0138	Bottom AVS Spring	1
71	44-68-0155	Bottom AVS Square Guide Pipe	1
72	22-90-0153	Bottom Bellow	1
73	42-36-2715	T-Bracket	1
79	12-20-0043	Service Nameplate (Not Shown)	1
84	05-90-0225	Lock Washer	4
90	45-06-0148	Motor Seal	1

FIG.	PART NO.	DESCRIPTION	NO. REQ.
13	13a 13b 13c 13d 13e 13f 13g 13h 13j	Spindle Assembly	1
7	7a 7b 7c 7d 7e 7f 7g 7h	Side Handle Assembly	1