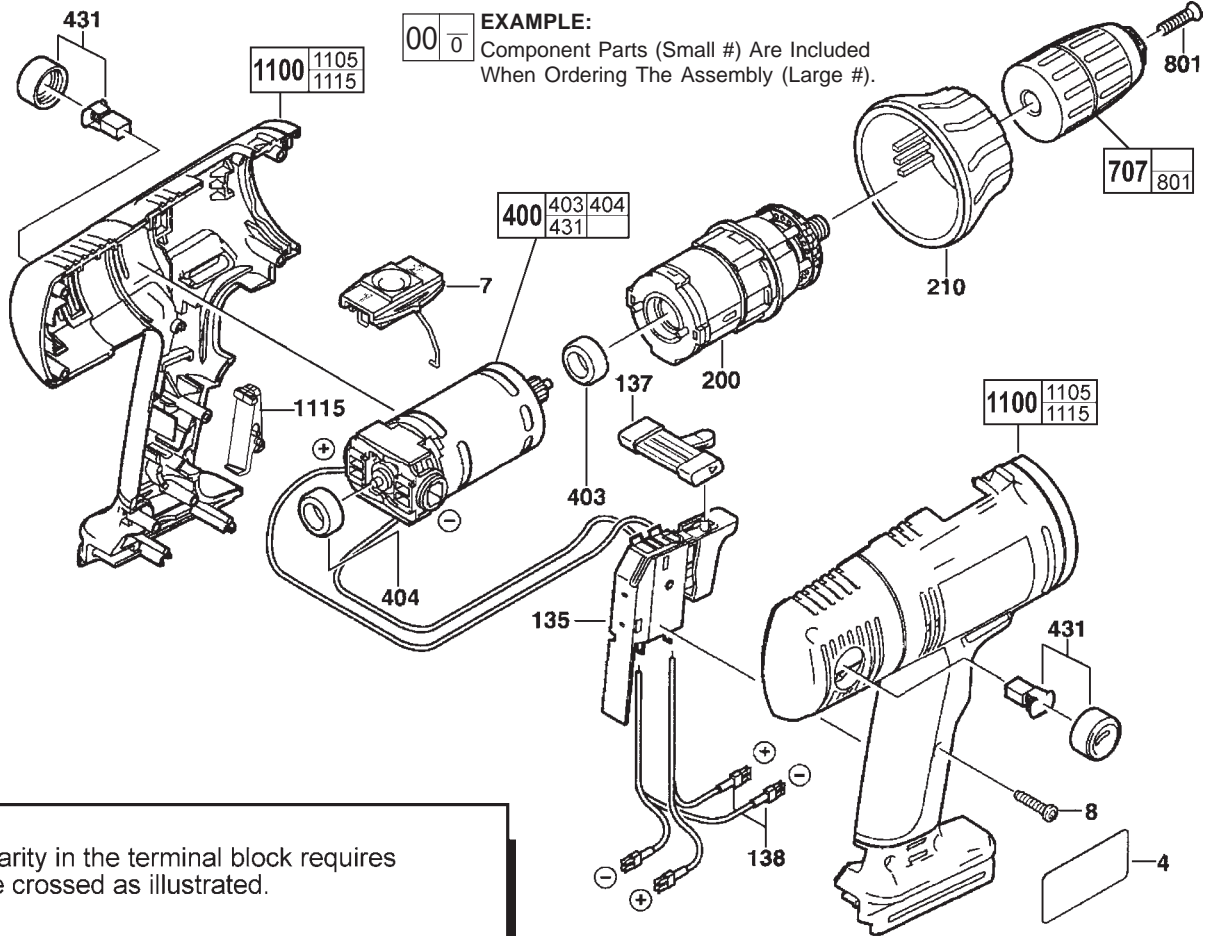




SERVICE PARTS LIST

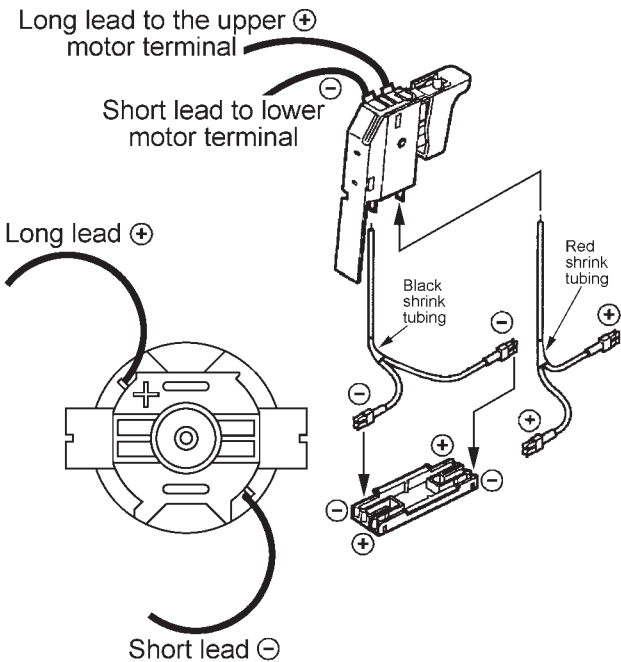
BULLETIN NO.
54-06-5050

SPECIFY CATALOG NO. AND SERIAL NO. WHEN ORDERING PARTS		REVISED BULLETIN	DATE
18 Volt 1/2" Lok-Tor™ Driver Drill			May 2003
CATALOGNO. 0622-20	STARTING SERIAL NO. 312A	WIRING INSTRUCTION SEE INSERT	



EXAMPLE:
Component Parts (Small #) Are Included When Ordering The Assembly (Large #).

NOTE:
Proper polarity in the terminal block requires leads to be crossed as illustrated.



WARNING!
Switch polarity sensitive if wired incorrectly with the terminal block(1105). The switch will be damaged and destroyed.

FIG.	PART NO.	DESCRIPTION OF PART	QTY.
1	49-15-0400	Side Handle (Not Shown)	(1)
4	12-20-1085	Service Nameplate	(1)
7	45-24-0090	Slide High / Low	(1)
8	06-82-7236	4-20 x 5/8" Pan Hd. Plastite T-10	(7)
135	23-66-0605	Switch	(1)
137	45-24-0510	Reversing Shuttle	(1)
138	23-94-3630	Lead Wire Assembly (Set of 2)	(1)
200	14-29-0130	Gearbox Assembly	(1)
210	43-76-0710	Clutch Ring	(1)
400	23-30-0475	Motor Assembly	(1)
403	45-22-0340	Front Rubber Sleeve	(1)
404	45-22-0560	Rear Rubber Sleeve	(1)
431	22-18-1150	Brush Assembly	(1)
707	48-66-1575	Keyless Chuck	(1)
----	-----	Battery Pack (Not Shown)	(1)
801	05-80-0450	Chuck Screw	(1)
1100	31-50-1646	Handle Kit	(1)
1105	22-56-0200	Connector Block	(1)
1115	31-53-0230	Finger Grip	(1)

**22-18-1150 BRUSH ASSEMBLY
THIS ASSEMBLY INCLUDES:**

2	-----	Carbon Brush
2	-----	Brush Cap

MILWAUKEE ELECTRIC TOOL CORPORATION
13135 W. Lisbon Road, Brookfield, WI 53005
Drwg. 5