



**BOSCH**

# Straight Grinders

----- | 0 602 228 286

---

## Table of Content

Spare parts list.....	2
Illustration - Type.....	4

Spare parts list

Item	Part Number	Description
1	3 605 102 058	Motor Housing
2	1 600 209 011	Seal Ring
3	1 604 229 204	Stator 220V/360HZ
4	1 600 502 005	Air-Deflector Ring
5	3 604 080 003	Rotor Without Winding
6	1 900 905 015	groove ball bearing 625-2Z DIN 625
7	3 600 210 039	O-Ring 12,0x2,25 MM
8	1 900 905 017	groove ball bearing 9x24x7
9	3 605 820 058	Bearing Flange
11	3 600 099 004	Connection Housing
12	3 604 462 001	Elec. Cable W/Connection
13	3 600 703 011	Grommet Ø9,2-Ø12x120 MM
14	1 601 302 014	Fastening Clamp
15	3 605 500 074	Sealing cap
16	3 607 200 001	Switch
17	3 600 905 038	groove ball bearing
18	3 605 806 121	Spindle Bearing
19	1 603 523 082	Grinding Spindle
20	1 600 550 008	Disc Spring
21	1 600 300 083	Spacer Bushing
22	1 600 103 027	Shim washer
23	1 900 905 201	groove ball bearing 12x32x10
24	1 603 344 053	Threaded Ring
25	1 600 320 028	Carrier
26	1 606 442 000	Carrier
28	3 601 106 053	Nameplate
29	3 603 133 000	Grooved Nail
31	3 601 321 001	Clamping Saddle
32	3 600 150 006	Spring Washer Ø4,2 MM
33	2 910 110 118	Pan head screw DIN 85-AM4x8-MS
34	3 600 150 013	Disc Spring
35	2 910 021 116	Socket head cap screw DIN 84-AM4x6-8.8
36	2 910 141 136	Hex Socket Head Cap Screw 4x35-8.8 DIN 912-M
37	2 910 141 140	Hex Socket Head Cap Screw 4x45-8.8 DIN 912-M

Spare parts list

Item	Part Number	Description	
42	3 600 250 007	Protective Ring	
45	3 603 402 000	Set screw	
46	1 901 091 012	Socket-Terminal Strip	1x1,5 MM/2
47	3 603 342 009	Round Nut	
56	3 604 477 008	End Splice	
96	1 601 110 481	Manufacturer's nameplate	SHADOW SIDE
99	3 601 119 236	Reference Plate	
650	2 607 950 511	Single-Head Eng. Wrench	SW17
800	2 608 570 084	Collet	Ø 6 MM
801	3 605 102 028	Motor Housing	
818	3 607 031 854	Grinding Spindle	

Illustration - Type - E

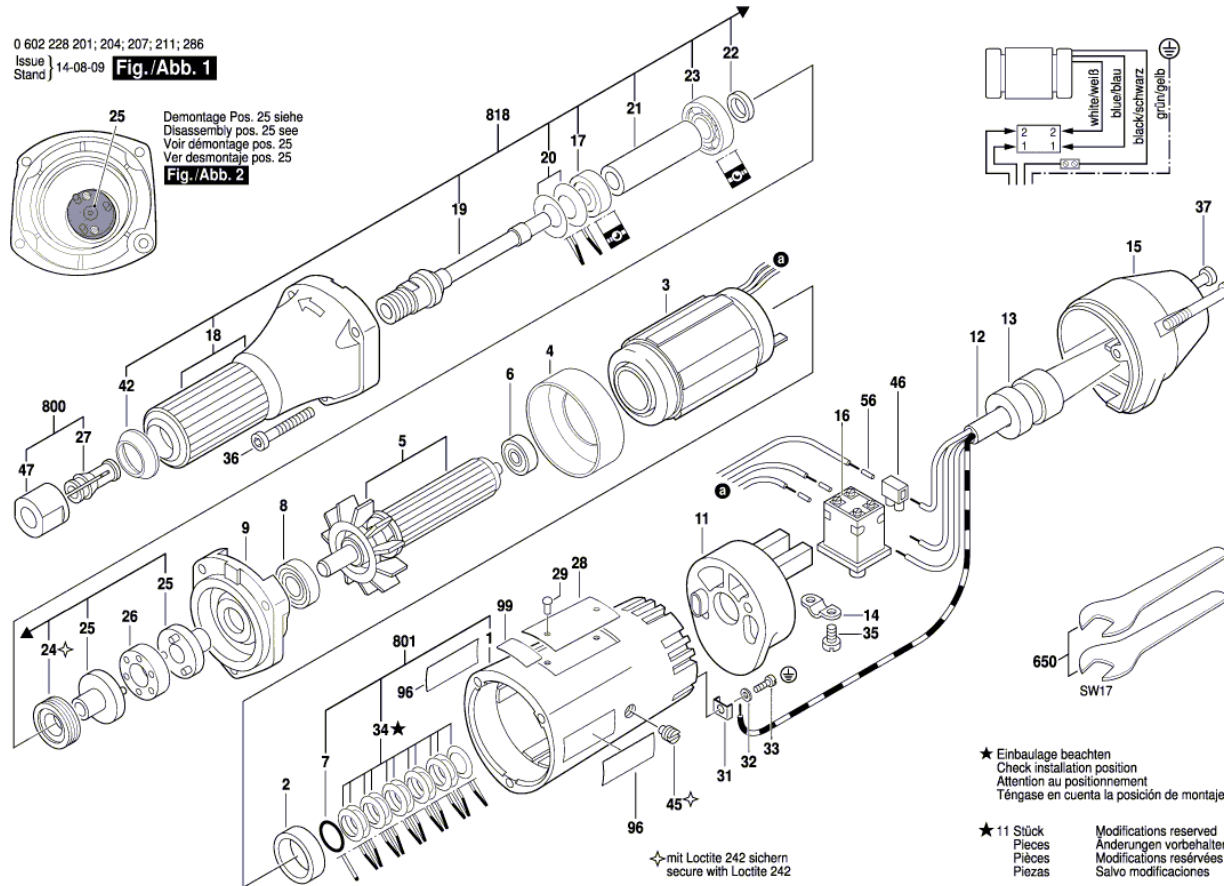


Illustration - Type - E

0 602 228 201; 204; 207; 211; 286  
 Issue | 09-11-25 | **Fig./Abb. 2**  
 Stand |

