



SERVICE PARTS LIST

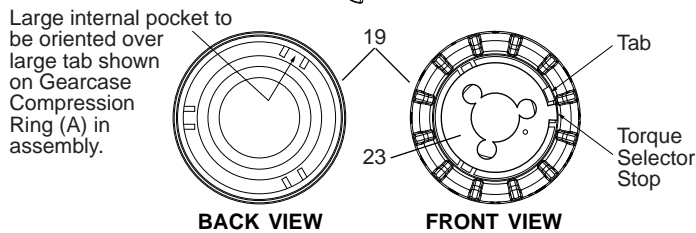
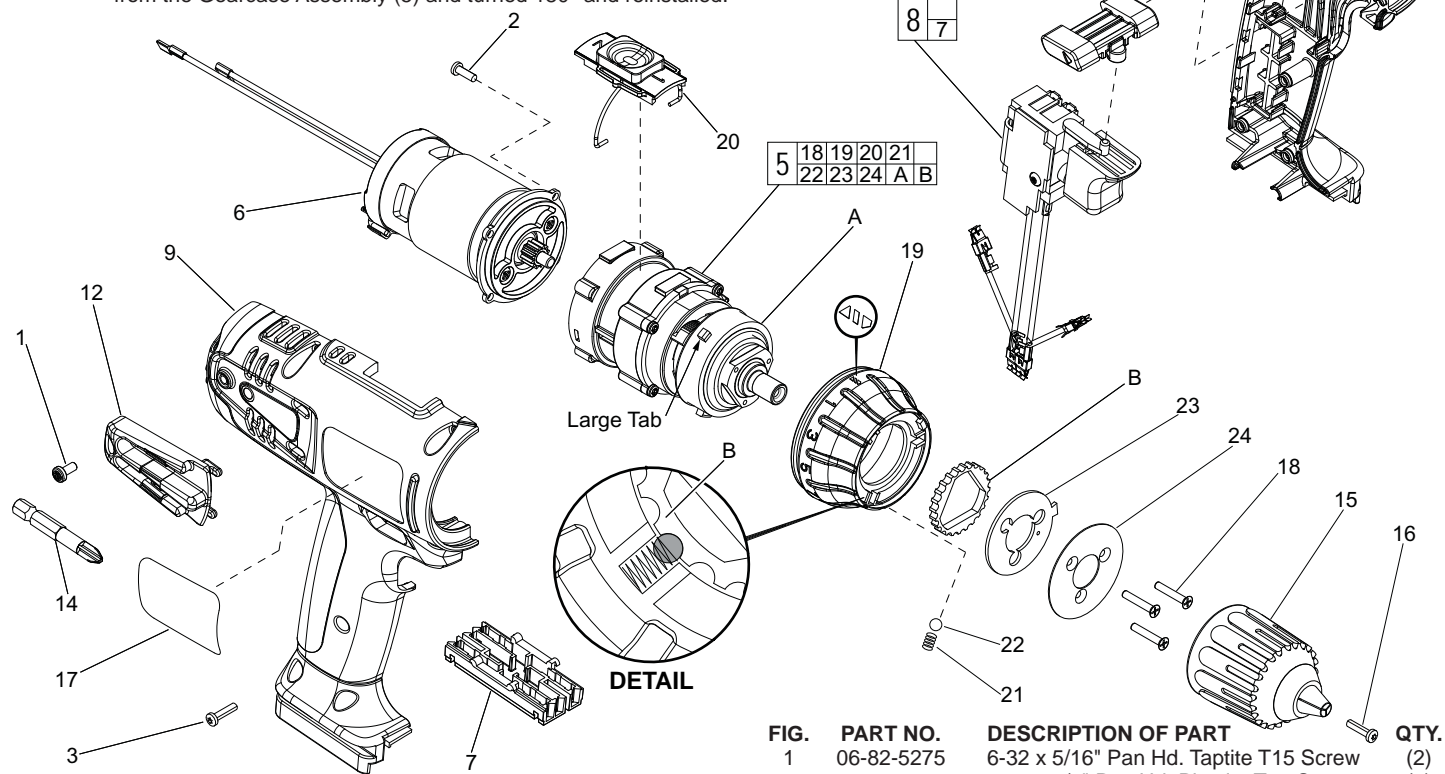
BULLETIN NO.
54-06-2325

| | | | |
|--|---------------------------------|---|-----------|
| SPECIFY CATALOG NO. AND SERIAL NO. WHEN ORDERING PARTS | | REVISED BULLETIN | DATE |
| 12 VOLT 3/8" COMPACT DRIVER-DRILL | | | Feb. 2009 |
| CATALOG NO. 0602-20 | STARTING SERIAL NO. 307A | WIRING INSTRUCTION SEE REVERSE SIDE | |

| TORQUE SPECIFICATIONS | | | | | |
|-----------------------|------------|--------------------|--------------------|----------------|----------------|
| FIG. | PART NO. | MIN. SEAT (IN-LBS) | MAX. SEAT (IN-LBS) | MIN. SEAT (Nm) | MAX. SEAT (Nm) |
| 1 | 06-82-5275 | 7 | 10 | .79 | 1.13 |
| 2 | 06-82-7218 | 7 | 10 | .79 | 1.13 |
| 3 | 06-82-7225 | 6 | 9 | .68 | 1.02 |
| 15 | 48-66-1250 | 150 | 200 | 16.95 | 22.6 |
| 16 | 05-88-1426 | 30 | 45 | 3.39 | 5.08 |

EXAMPLE:
Component Parts (Small #)
Are Included When Ordering
The Assembly (Large #).

FIG. 5,19 **NOTES:**
For proper torque and Selector Ring (19) orientation, gearcase compression spring must be collapsed fully. Turn the Gearcase Compression Ring (A) in a "clockwise" direction until it stops. The largest of the three tabs on the Compression Ring (A) must be at the 11:00 position (as viewed from the front of the Gearcase Assembly). If the largest of the three tabs stops at the 5:00 position, Compression Ring (A) will need to be removed from the Gearcase Assembly (5) and turned 180° and reinstalled.



5,19 Position Selector Ring (19) over Compression Ring (A), aligning the larger of the three internal pockets (see back view) over large tab on Compression Ring (A). Drill bit symbol on Selector Ring should be in the 12:00 position, in line with the arrow on top of the handle set.

19,21,22 Position each Spring (21) and Ball (22) in the pockets of the Torque Selector (19) as shown in the detail.

B,18,21, 22,23,24 Position Torque Selector Cog (B) over triangle area in gearcase. Install Balls (22) and Springs (21) as illustrated in the detail view. Place Torque Selector Stop (23) against the bottom side of the tab, located inside the Torque Selector Ring (see front view). This will align the slots in the Torque Selector Stop (23) with the screw holes in the Gearcase Assembly (5). Place Cover Plate (24) over Torque Selector Stop (23), counter sink side to face chuck, and secure components together with Screws (18).

| FIG. | PART NO. | DESCRIPTION OF PART | QTY. |
|------|------------|---|------|
| 1 | 06-82-5275 | 6-32 x 5/16" Pan Hd. Taptite T15 Screw | (2) |
| 2 | 06-82-7218 | 4-20 x 3/8" Pan Hd. Plastite T10 Screw | (4) |
| 3 | 06-82-7225 | 4-20 x 1/2" Pan Hd. Plastite T10 Screw | (9) |
| 5 | 14-29-0160 | Gearcase Assembly | (1) |
| 6 | 14-50-0775 | DC Motor | (1) |
| 7 | 22-56-0195 | Connector Block | (1) |
| 8 | 23-66-0690 | Switch Assembly | (1) |
| 9 | 31-44-0970 | Handle Set | (1) |
| 11 | 43-72-0300 | Belt Clip Holder | (1) |
| 12 | 43-72-0455 | Bit Holder Assembly | (1) |
| 13 | 45-24-0525 | Reversing Shuttle | (1) |
| 14 | 48-30-1520 | #2 Phillips Bit | (1) |
| 15 | 48-66-1250 | 3/8" Keyless Chuck | (1) |
| 16 | 05-88-1426 | 10-32 x 7/8" Pan Hd. T20 LH Chuck Screw | (1) |
| 17 | 12-20-1370 | Service Nameplate Kit | (1) |
| 18 | 05-78-0800 | Flat Hd. Screw | (3) |
| 19 | 42-76-0530 | Torque Selector | (1) |
| 20 | 45-24-0800 | Hi/Low Shift Assembly | (1) |
| 21 | 40-50-1340 | Spring | (3) |
| 22 | 02-02-1200 | 3mm Ball | (3) |
| 23 | ----- | Torque Selector Stop | (1) |
| 24 | ----- | Cover Plate | (1) |
| A | ----- | Gearcase Spring Compression Ring | (1) |
| B | ----- | Torque Selector Cog | (1) |

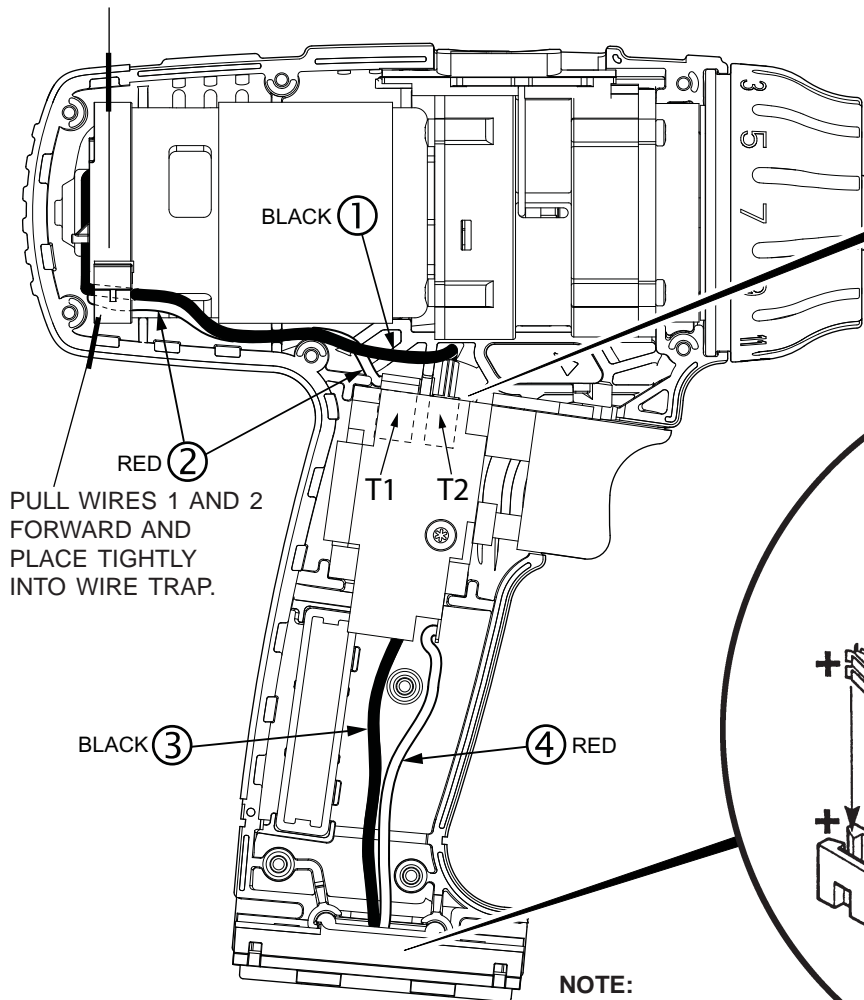
MILWAUKEE ELECTRIC TOOL CORPORATION
13135 W. Lisbon Road, Brookfield, WI 53005



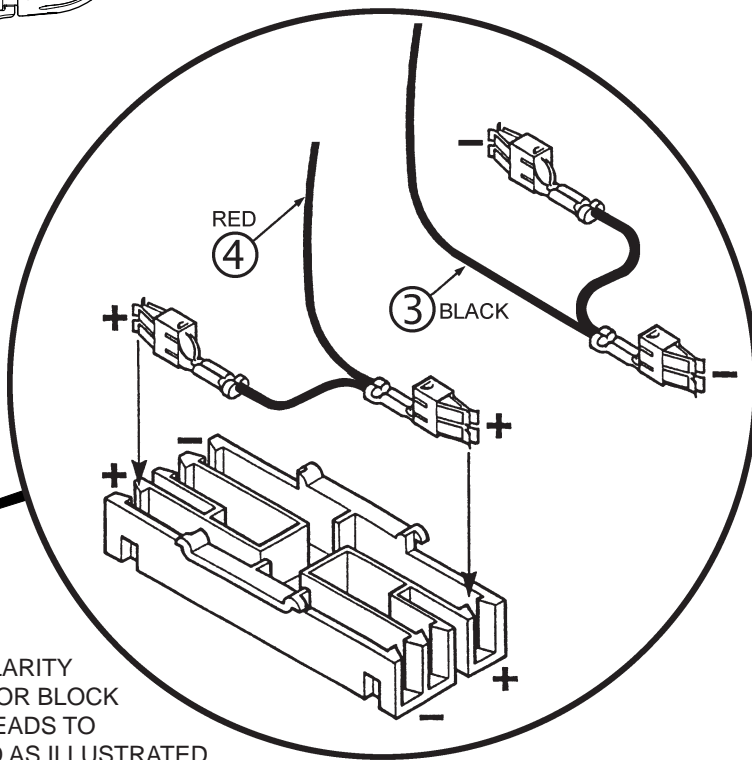
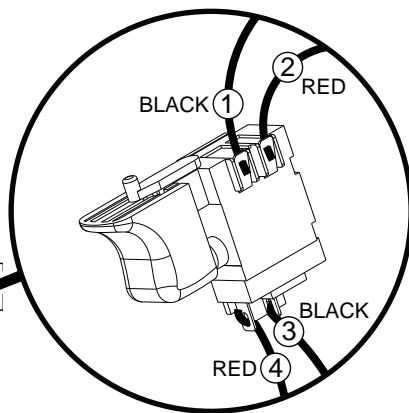
WARNING

SWITCH POLARITY SENSITIVE
 IF WIRED INCORRECTLY WITH THE
 CONNECTOR BLOCK, THE SWITCH
WILL BE DAMAGED AND DESTROYED.

POSITION MOTOR ASSEMBLY
 SO THE WIRE TRAP IS TO
 THE BOTTOM OF THE TOOL,
 AS SHOWN.



PULL WIRES 1 AND 2
 FORWARD AND
 PLACE TIGHTLY
 INTO WIRE TRAP.



NOTE:
 PROPER POLARITY
 IN CONNECTOR BLOCK
 REQUIRES LEADS TO
 BE CROSSED AS ILLUSTRATED.

WIRING SPECIFICATIONS

| Wire No. | Wire Color | Origin or Gauge | Length | Terminals, Connectors and 1 or 2 End Wire Preparation |
|----------|------------|-----------------|--------|---|
| 1 | Black | DC Motor | ---- | Component of DC Motor. Strip 1/8" for T2. |
| 2 | Red | DC Motor | ---- | Component of DC Motor. Strip 1/4" for T1. |
| 3 | Black | Switch | ---- | Component of Switch Assembly. |
| 4 | Red | Switch | ---- | Component of Switch Assembly. |
| | | | | |

TERMINAL DESCRIPTION

| Code | Part No. | Qty. |
|------|------------|------|
| T1 | 23-74-0750 | 1 |
| T2 | 23-74-2415 | 1 |