



**BOSCH**

# Circular hand saw

---- | 0 601 562 034

---

## Table of Content

Spare parts list.....	2
Illustration - Type.....	4

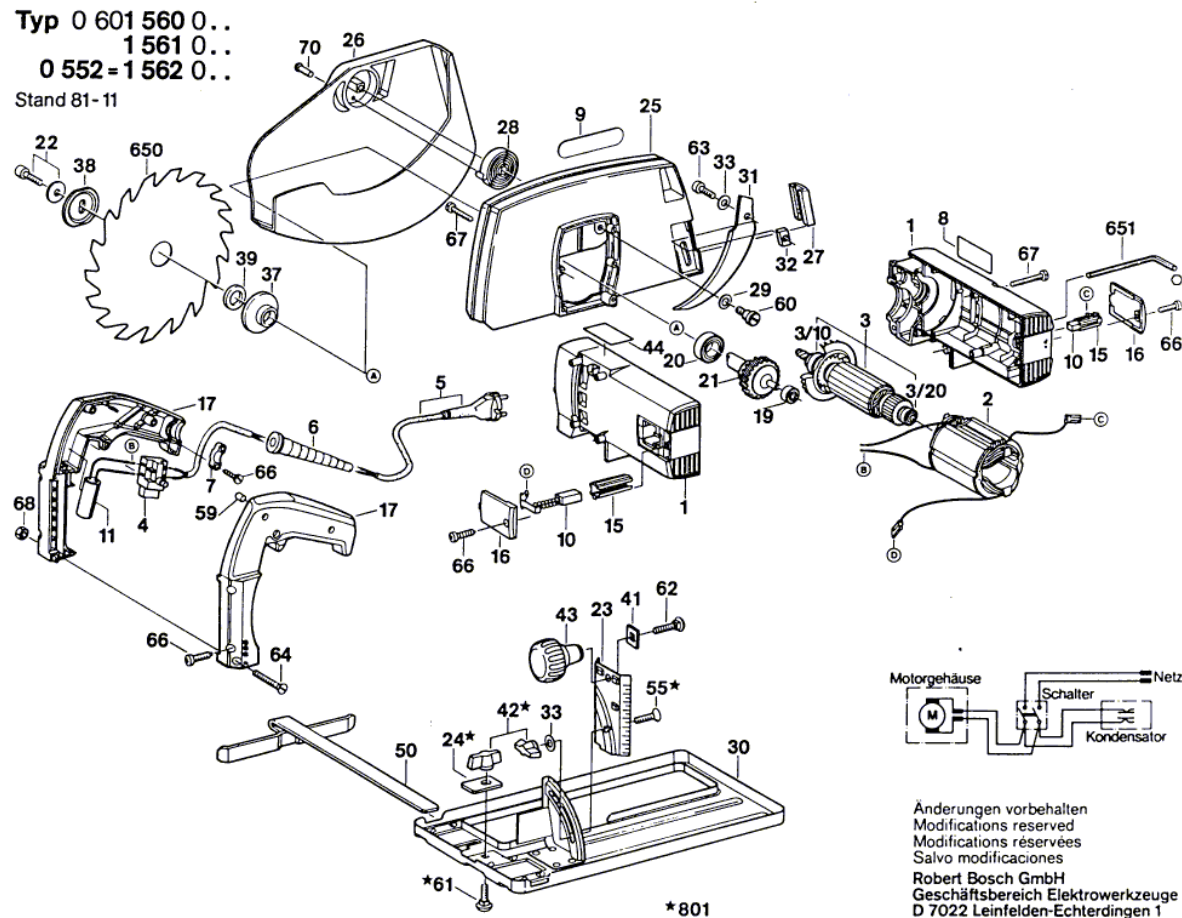
## Spare parts list

Item	Part Number	Description	Illustration
1	1 609 200 681	Motor Housing	1
2	1 609 200 837	Pole Shoe 110-120V	1
3	1 609 200 841	Armature 110-120V	1
3/10	1 609 200 717	groove ball bearing	1
3/20	1 609 200 716	groove ball bearing 607 LLB C3/3K DIN 625	1
4	1 609 200 751	On-Off Switch	1
5	1 604 460 022	Power supply cord USA/CDN 2,15m 2 x 082mm SJ 18/2	1
6	1 609 207 001	Grommet Ø9x90 MM	1
7	1 609 213 000	Fastening Clamp	1
8	1 601 11A 3H3	Nameplate	1
9	1 601 110 017	Manufacturer's nameplate	1
10	1 609 202 417	Carbon-Brush Set	1
11	1 609 200 750	Suppression Filter	1
15	1 609 200 032	Brush Holder	1
16	1 609 200 079	Sealing cap	1
17	1 609 200 075	Handle	1
19	2 600 905 032	Ball Bearing 7x19x6	1
20	1 900 905 163	groove ball bearing 17x35x10	1
21	1 609 200 684	Cylindrical Gear Z=36	1
22	1 603 414 007	Hex Socket Head Cap Screw M6x14 MM	1
23	1 609 200 892	Dial	1
24	1 601 030 024	Clamping Piece	1
25	1 609 200 687	Protective Cover	1
26	1 609 255 014	Pivoting Blade Guard	1
27	1 602 386 002	Rubber Buffer	1
28	1 609 246 001	Spiral Spring	1
29	1 600 100 633	Plain Washer 0,3 MM THICK	1
30	1 609 200 685	Base Plate	1
31	1 609 200 689	Riving Knife	1
32	1 601 030 025	Perforated Panel M6-20x10x5 MM	1
33	1 609 201 082	Plain Washer Ø6,4xØ16x2 MM	1
37	1 609 257 000	Intermediate Flange	1
38	1 605 703 069	Conical Spring Washer SW 46	1
39	1 609 201 003	Locating Ring	1

## Spare parts list

Item	Part Number	Description	Illustration
41	1 601 030 026	Slide Plate	1
42	1 609 233 000	Wing Nut M6	1
43	1 609 200 637	Ball Handle	1
44	1 601 110 058	Reference Plate DOUBLE INSULATION	1
50	1 601 336 004	End stop	1
55	1 603 490 000	Countersunk-Head Screw M6x20 MM	1
59	1 609 200 048	Plug	1
60	2 910 271 147	Pan head screw DIN 923-M5x5-5.8	1
61	2 910 281 196	Round-Head Bolt M6x15 DIN 603	1
62	2 910 281 203	Round-Head Bolt DIN 603-M6x25	1
63	2 910 375 193	Hex Socket Head Cap Screw M6x12-8.8 DIN 6912	1
64	2 910 501 134	Countersunk-Head Screw DIN 63-BM4x30-5.8	1
66	2 912 401 020	Tapping Screw DIN 7981-3,9x19-C-Z-ST	1
67	2 910 611 082	Tapping Screw B 3,9x32 DIN 7981	1
70	2 917 721 051	Round-Head Grooved Pin 2,6x3 DIN 1476-ST	1
650	1 609 200 693	Saw Blade Z=22	1
650	2 608 640 214	Circular Saw Blade	1
651	2 610 364 015	Hexagon Socket Screw Key 5 MM	1
801	1 609 200 686	Parts Set	1

Illustration - Type - E



**C4**