



**BOSCH**

# Circular hand saw

---- | 0 601 557 034

---

## Table of Content

Spare parts list.....	2
Illustration - Type.....	4

## Spare parts list

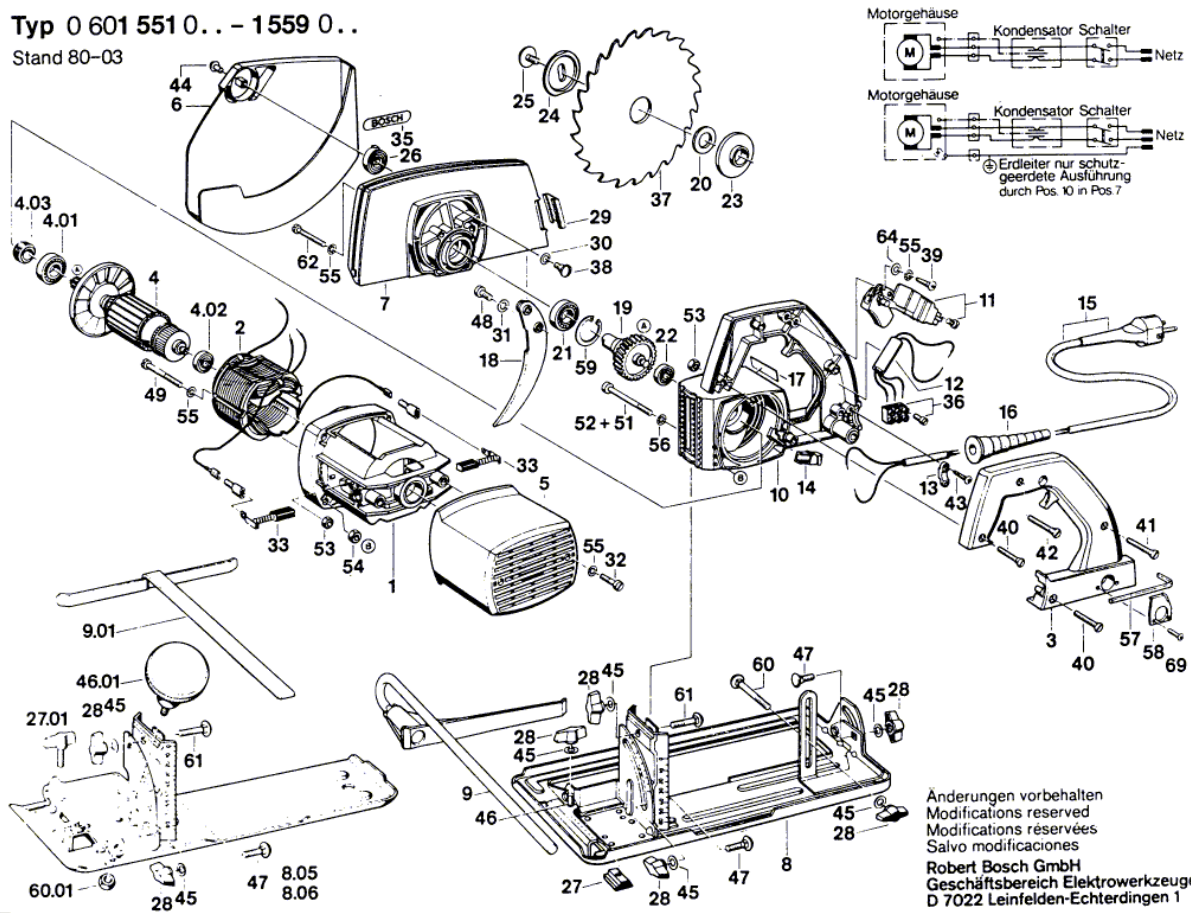
Item	Part Number	Description	Illustration
1	1 609 251 021	Motor Housing	1
2	1 609 242 033	Pole Shoe 115V	1
3	1 609 251 018	Handle Cover	1
4	1 609 240 033	Armature With Fan 110-115V	1
5	1 609 255 017	Housing Cover	1
6	1 609 200 519	Pivoting Blade Guard	1
7	1 609 255 003	Protective Cover	1
8	1 609 280 027	Base Plate	1
9	1 609 213 007	Parallel-Guide	1
10	1 609 258 004	Intermediate Flange	1
11	1 609 272 003	On-Off Switch	1
13	1 609 213 000	Fastening Clamp	1
14	1 609 207 000	Grommet	1
16	1 609 207 001	Grommet Ø9x90 MM	1
19	1 609 263 002	Cylindrical Gear Z=50	1
20	1 609 201 003	Locating Ring	1
21	1 900 905 163	groove ball bearing 17x35x10	1
22	1 900 900 235	groove ball bearing 627 Y DIN 625	1
23	1 609 257 000	Intermediate Flange	1
24	1 605 703 069	Conical Spring Washer SW 46	1
25	1 603 414 007	Hex Socket Head Cap Screw M6x14 MM	1
26	1 609 246 001	Spiral Spring	1
27	1 609 234 016	Wing Screw M6x20 MM	1
28	1 609 233 000	Wing Nut M6	1
29	1 602 386 002	Rubber Buffer	1
30	1 600 100 633	Plain Washer 0,3 MM THICK	1
31	1 609 201 082	Plain Washer Ø6,4xØ16x2 MM	1
32	1 609 234 001	Socket head cap screw	1
33	1 609 243 000	Carbon Brush	1
35	1 601 110 017	Manufacturer's nameplate	1
36	1 609 210 001	Sleeve Terminal	1
37	1 609 286 007	Circular Saw Blade Ø 190x30 MM, Z=40	1
38	2 910 271 147	Pan head screw DIN 923-M5x5-5.8	1
39	2 910 611 018	Tapping Screw DIN 7981-ST3,9x13-C-H	1

## Spare parts list

Item	Part Number	Description	Illustration
40	2 910 501 134	Countersunk-Head Screw DIN 63-BM4x30-5.8	1
41	2 910 501 132	Countersunk-Head Screw AM 4x25 DIN 63-5.8	1
42	2 910 501 136	Countersunk-Head Screw	1
43	2 912 401 020	Tapping Screw DIN 7981-3,9x19-C-Z-ST	1
44	2 917 721 051	Round-Head Grooved Pin 2,6x3 DIN 1476-ST	1
45	2 916 011 014	Plain Washer DIN 125-A 6,4-ST	1
46	2 912 171 201	Stud BM 6x20 DIN 938-5.6	1
47	2 910 281 196	Round-Head Bolt M6x15 DIN 603	1
48	2 910 375 193	Hex Socket Head Cap Screw M6x12-8.8 DIN 6912	1
49	2 910 021 658	Socket head cap screw DIN 84-BM4x65-8.8	1
51	2 910 141 178	Hex Socket Head Cap Screw M5x60-8.8 DIN 912-	1
52	2 910 141 164	Hex Socket Head Cap Screw 5x25-8.8 DIN 912-M	1
53	2 915 011 005	Hex Nut DIN 934 -M4-m-8	1
54	2 915 051 105	Hex Nut DIN 439-AM5-04	1
55	2 916 060 005	Spring Washer DIN 137-A 4-ST	1
57	2 610 364 015	Hexagon Socket Screw Key 5 MM	1
58	1 609 213 001	Holding Spring	1
59	2 916 660 014	Spring retaining ring DIN 472 35x1,5 MM	1
61	2 910 281 205	Round-Head Bolt DIN 603 - M6x30	1
62	2 910 611 037	Tapping Screw B 4,8x32 DIN 7981	1
62	2 910 611 082	Tapping Screw B 3,9x32 DIN 7981	1
64	2 916 011 010	Plain Washer DIN 125-A4,3-ST	1
69	2 603 490 017	Torx Oval-Head Screw 3x10	1

Illustration - Type - E

Typ 0 601 551 0.. - 1559 0..  
Stand 80-03



**B6**