



BOSCH

Nibbler

----- | 0 601 528 035

Table of Content

Spare parts list.....	2
Illustration - Type.....	4

Spare parts list

Item	Part Number	Description	Illustration
2	2 605 700 015	Bearing Flange	1
3	2 910 021 122	Socket head cap screw DIN 84-AM4x12-8.8	1
4	2 916 690 003	Spring Lock Washer DIN 128-A4-FST	1
6	1 900 900 270	groove ball bearing 6000 DIN 625	1
7	2 600 500 008	Cupped Washer	1
8	2 600 108 020	Felt Washer	1
9	2 600 400 020	Receptacle	1
10	2 600 100 628	Shim 0,5 MM	1
12	2 600 914 004	Needle bearing	1
13	2 606 300 016	Cylindrical Gear Z=58	1
14	2 600 913 033	Needle-Roller Cage	1
15	1 903 201 000	Needle Roller 2x7,8 G 2 DIN 5402	1
16	2 602 001 006	Connecting Rod	1
18	1 903 201 001	Needle Roller 2x9,8 G2 DIN 5402	1
19	2 600 102 029	Shim 0,8 MM	1
20	2 916 650 012	Spring retaining ring 22x1,2 DIN 471	1
21	2 603 104 001	Power piston	1
22	2 603 100 003	Bearing bolt	1
23	2 603 455 006	Hollow Bolt	1
24	2 600 422 005	Bushing	1
25	2 603 314 016	Union Nut	1
26	2 603 463 001	Screw Plug	1
29	2 608 639 013	Nibbling Punch	1
31	2 600 102 028	Shim	1
32	2 600 100 563	Shim 0,5 MM	1
33	2 603 100 032	Bearing bolt	1
34	2 603 100 031	Bearing bolt	1
35	2 910 011 148	Socket head cap screw DIN 84-AM5x6-5.8	1
37	2 600 309 003	Insulating Bushing	1
102	2 600 522 009	Cover Disc	1
103	2 604 220 251	Field 220V	1
104	2 604 611 024	Compression Spring	1
106	2 603 320 001	Square Nut M4	1
107	2 606 610 013	Clamping Strip	1
108	2 910 021 125	Socket head cap screw DIN 84-AM4x15-8.8	1

Spare parts list

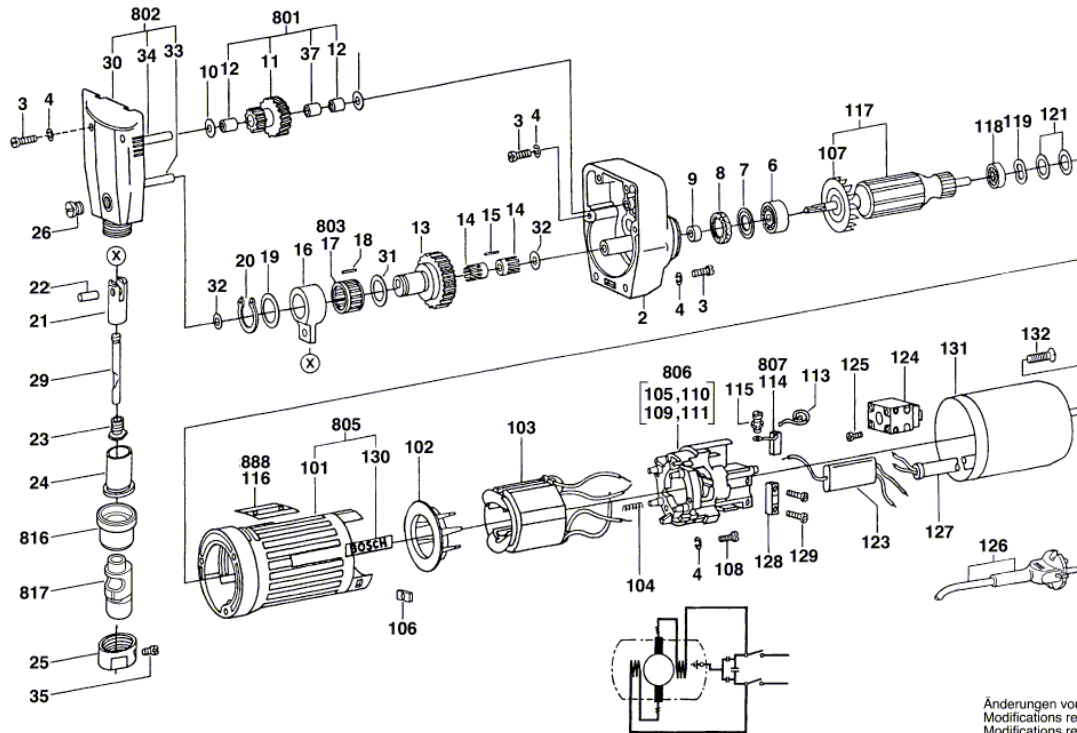
Item	Part Number	Description	Illustration
113	2 604 652 000	Spiral Spring	1
115	2 914 501 011	Screw and washer assembly M3x6-Z1-4.8	DIN7985- 1
117	2 604 010 316	Armature 220V	1
118	1 900 905 019	groove ball bearing 6x19x6	1
119	2 600 150 003	Shim	1
121	2 601 101 655	Shim	1
121	2 601 101 656	Shim	1
121	2 601 101 657	Shim	1
124	2 607 200 048	On-Off Switch	1
125	2 603 410 001	Socket head cap screw M3x6,5-4.8	1
127	2 600 703 011	Grommet Ø8,3-Ø9,4x95 MM	1
127	2 600 703 012	Grommet Ø6,5-Ø6,9x95 MM	1
127	2 600 703 013	Grommet Ø7,6-Ø8,2x95 MM	1
128	2 601 035 001	Cable Clip	1
129	2 910 211 019	Tapping Screw DIN 7971-ST3,9x16-F	1
130	1 601 110 013	Manufacturer's nameplate	1
131	2 600 508 028	Housing Cover BLUE	1
132	2 910 601 020	Rec ct-sunk tapping screw 7972	BZ 3,9x19 DIN 1
801	2 606 328 903	Cylindrical Gear	1
802	2 605 806 919	Gear Housing	1
803	2 600 910 002	Needle-Roller Bearing	1
805	2 607 010 003	Dummy	1
806	2 607 010 004	Commutator End Shield	1
807	2 604 320 902	Carbon-Brush Set	1
816	3 608 639 030	Lower Die Ring	1
817	2 608 639 003	Lower Die	1
888	1 601 11A 3H3	Nameplate	1

Illustration - Type - E

0 601 528 001

Stand 37-06
Issue 06-11-15

Fig./Abb. 1



Änderungen vorbehalten
Modifications reserved
Modifications reserves
Sinvo modificaciones