



**BOSCH**

# Wall Chasing Machine

---- | 0 601 367 739

---

## Table of Content

Spare parts list.....	2
Illustration - Type.....	5

**Spare parts list**

Item	Part Number	Description	Illustration
1	1 605 108 145	Motor Housing    BLACK	1
2	1 604 220 387	Field    100-120V	1
3/50	1 606 610 127	Fan	1
4	3 607 200 064	Switch	1
5	1 604 460 133	Power supply cord    USA/CDN 2,15m 2 x 2,08mm SJ 14/2	1
6	1 600 703 023	Grommet    Ø 10,5-Ø11,0x100 MM	1
7	1 601 302 018	Fastening Clamp	1
9	3 601 110 269	Manufacturer's nameplate	1
13	1 600 905 011	groove ball bearing    8x22x7	1
14	1 600 905 023	groove ball bearing    10x35x11	1
16	1 604 336 021	Brush Holder	1
23	1 605 500 165	Sealing cap    BLUE	1
24	1 605 132 122	Handle    BLACK	1
25	1 603 523 108	Grinding Spindle    5/8", SW17 LEFTHAND THREADS	1
28	1 600 210 033	O-Ring    79,0x1,78 MM	1
29	1 600 210 034	O-Ring    4,0x1,0 MM	1
30	1 600 591 010	Air-Deflector Ring	1
31	1 600 591 011	Air-Deflector Ring	1
32	1 600 290 019	Retaining snap ring	1
33	1 600 290 013	Rotary shaft lip seal    18,7 MM    RED	1
34	1 600 190 020	Shim    0,15 MM    THICK	1
34	1 600 190 021	Shim    0,3 MM    THICK	1
34	1 600 190 022	Shim    0,1 MM    THICK	1
35	1 600 205 034	Felt Washer	1
36	1 604 652 015	Spiral Spring	1
37	1 600 290 020	Seal Ring	1
38	1 600 206 020	Rubber Ring    7 MM    WIDE	1
39	1 600 206 030	Rubber Ring	1
44	1 601 334 008	Holding Bracket	1
45	3 603 300 016	Hex Nut    LEFTHAND THREADS	1
48	1 600 119 010	Spring retaining ring	1
50	3 600 905 134	groove ball bearing	1
51	2 600 910 001	Needle-Roller Bearing    Ø14 MM	1
52	1 602 388 027	Cable routing	1

**Spare parts list**

Item	Part Number	Description	Illustration
53	1 605 190 038	Socket Housing	1
55	1 602 388 029	Storage Ledge    BLACK	1
59	1 600 101 655	Plain Washer    1,8 MM    THICK	1
60	1 603 435 023	Thread-forming tap. Screw    TT M5x18 MM	1
61	2 912 401 038	Tapping Screw    DIN 7981-4,8x38-C-Z-ST	1
62	1 603 435 024	Tapping Screw    C4,8x63 MM	1
63	2 910 641 086	Oval-Head Screw	1
64	1 603 435 025	Tapping Screw    C3,9x13 MM	1
65	2 912 401 020	Tapping Screw    DIN 7981-3,9x19-C-Z-ST	1
66	2 910 211 019	Tapping Screw    DIN 7971-ST3,9x16-F	1
67	1 603 435 019	Tapping Screw    BZ 4,8x78 MM	1
72	1 601 110 449	Nameplate    CAUTION	1
100	1 607 233 042	Speed governor    110-120V	1
105	2 603 450 007	Hex Screw    M14x16x1,5 MM	1
704	3 607 031 335	Parts Set	1
803	3 604 010 065	Armature    110-120V	1
808	1 601 11A 3H3	Nameplate	1
810	1 607 014 171	Carbon-Brush Set	1
821	3 607 031 336	Gear Housing	1
822	1 607 000 922	Bearing Flange    Ø 230 MM    SILVER	1
826	1 606 333 260	Crown Gear    Z=61	1
827	1 606 333 262	Bevel Gear    Z=9	1
840	1 607 000 206	Push-Button    BLACK	1
846	1 607 000 316	Retaining Washer    DIN 472 38X1,5	1
70	3 601 110 271	Sticker	2
106	3 607 950 013	Offset Screwdriver    3/8", SW9	2
109	1 603 340 036	Round Nut	2
110	1 605 510 227	Protective Cover	2
113	1 601 990 002	Locking Lever	2
114	1 600 591 015	Cap-Handle	2
115	2 917 550 133	Straight Pin    DIN 6325-5M6x45	2
116	3 604 651 008	Coiled Spring	2
117	1 601 990 001	Safety Catch	2
118	1 600 591 016	Push-Button	2
120	3 604 651 010	Coiled Spring	2

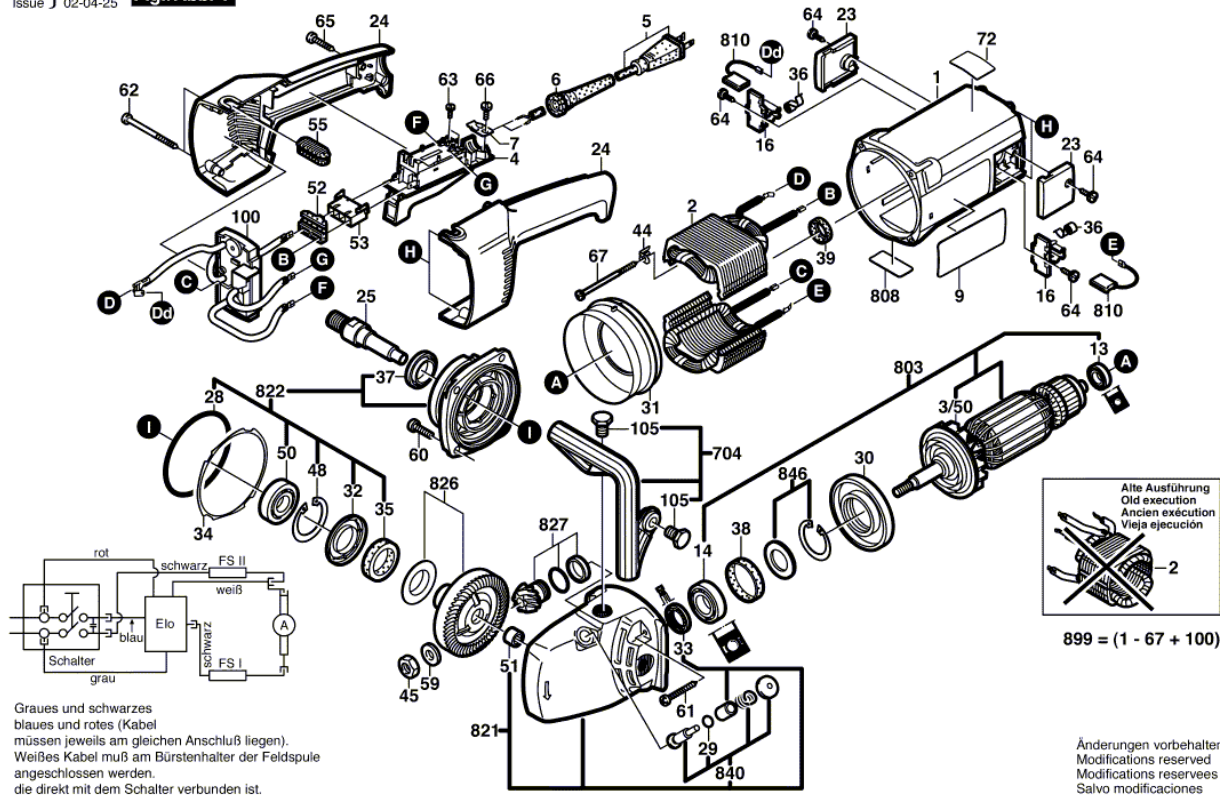
**Spare parts list**

Item	Part Number	Description	Illustration
121	3 604 651 012	Clip	2
122	1 601 290 008	Leaf Spring	2
123	2 912 401 035	Tapping Screw    DIN 7981-ST 4,8x22-C-Z	2
124	2 917 502 081	Straight Pin    3H8x20-C35K	2
125	1 601 015 027	Guide Plate	2
126	2 912 401 022	Tapping Screw    DIN 7981-ST3,9x25-C-Z	2
128	1 608 135 008	Guide Block	2
129	1 608 040 114	Guide Rail	2
130	3 603 101 009	Heav-Duty Clamping Pin	2
132	3 603 101 007	Swivelling Axis	2
133	3 600 400 016	Spring Sleeve	2
134	3 604 651 009	Torsion Spring	2
135	3 604 651 013	Holding Spring	2
136	3 601 110 282	Reference Plate	2
138	1 602 026 064	Control Knob	2
139	1 605 190 048	Housing	2
140	3 604 651 011	Pickup Clip	2
145	1 600 795 008	Suction Tube	2
707	1 605 703 067	Clamping-Flange    Ø 103 MM	2
708	1 605 703 068	Conical Spring Washer	2
755	2 608 600 074	Diamond Cutting Blade    Ø22,2xØ300MM	2
756	2 608 600 084	Diamond Cutting Blade    Ø22,2xØ300MM	2
757	2 608 600 132	Diamond Cutting Blade    Ø22,2xØ300MM	2
758	2 608 600 136	Diamond Cutting Blade    Ø22,2xØ300MM	2
811	3 605 190 183	Protective Housing	2

Illustration - Type - E

0 601 367 739  
Stand |  
Issue | 02-04-25

Fig./Abb. 1



Graues und schwarzes  
blaues und rotes (Kabel  
müssen jeweils am gleichen Anschluß liegen).  
Weißes Kabel muß am Bürstenhalter der Feldspule  
angeschlossen werden,  
die direkt mit dem Schalter verbunden ist.



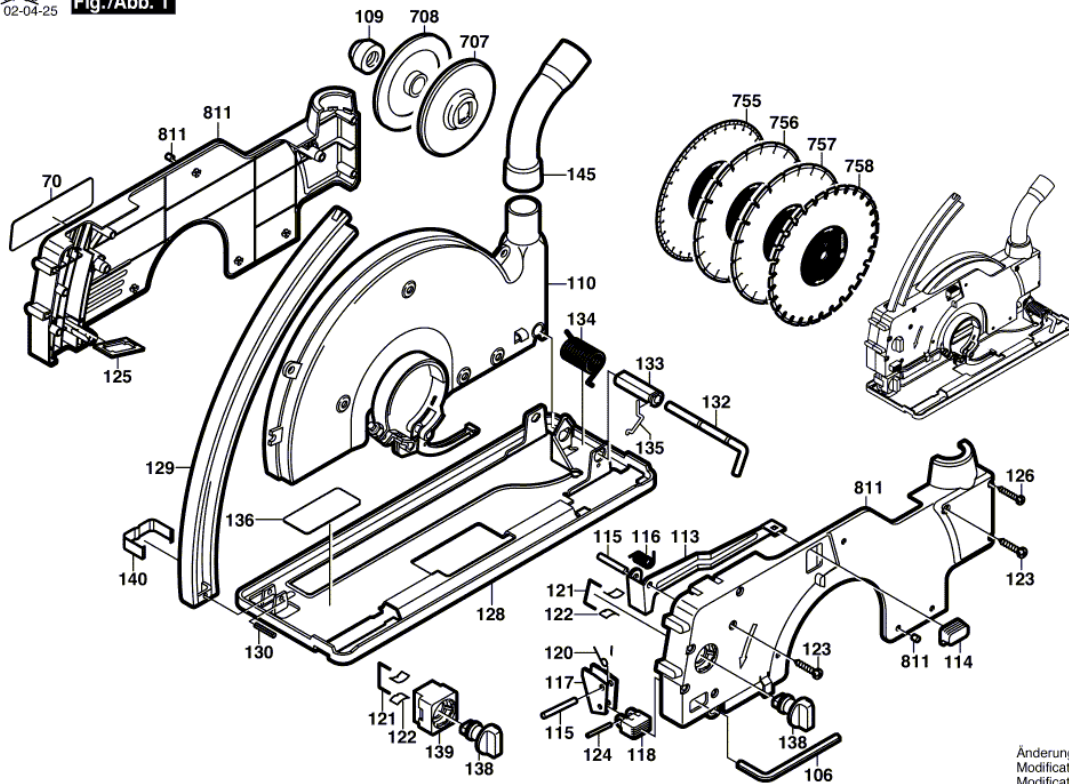
899 = (1 - 67 + 100)

Änderungen vorbehalten  
Modifications reserved  
Modifications reserves  
Salvo modificaciones

Illustration - Type - E

0 601 367 739  
Stand )  
Issue ) 02-04-25

Fig./Abb. 1



Änderungen vorbehalten  
Modifications reserved  
Modifications reserves  
Salvo modificaciones