



BOSCH

Angle Grinder

---- | 0 601 348 314

Table of Content

Spare parts list.....	2
Illustration - Type.....	4

Spare parts list

Item	Part Number	Description	Illustration
1	1 605 108 2CC	Motor Housing	1
2	1 604 220 220	Field 220-230V	1
3/50	1 606 610 121	Fan	1
4	1 607 200 086	On-Off Switch	1
6	2 600 703 012	Grommet Ø6,5-Ø6,9x95 MM	1
7	1 601 302 017	Fastening Clamp	1
9	1 601 110 615	Manufacturer's nameplate	1
12	1 607 328 029	Suppression Filter	1
13	2 600 905 032	Ball Bearing 7x19x6	1
14	1 600 905 011	groove ball bearing 8x22x7	1
16	1 600 A00 3G4	Brush Holder	1
17	1 601 110 608	Manufacturer's nameplate	1
18	1 604 611 026	Compression Spring	1
22	1 602 319 002	Adjusting Slide	1
23	1 602 026 057	Switch Handle BLACK	1
25	1 600 508 010	Housing Cover BLUE	1
26	1 600 502 020	Rubber Bushing	1
27	1 600 206 025	Rubber Ring	1
29	1 601 328 005	Air-Deflector Ring	1
31	2 916 660 013	Retaining clip DIN 472-32x1,2 MM	1
33	3 600 210 124	O-Ring 46,0x1,1 MM RED	1
35	1 600 136 010	Shim 0,2 MM THICK	1
35	1 600 136 011	Shim 0,3 MM THICK	1
35	1 600 136 012	Shim 0,1 MM THICK	1
36	1 600 150 011	Spring Washer	1
37	1 600 290 016	Rotary shaft lip seal	1
38	1 606 333 601	Crown Gear Z=36	1
39	1 604 652 013	Spiral Spring	1
40	2 916 660 009	Spring retaining ring DIN 472-25x1,2MM	1
41	1 600 910 018	Needle bearing Ø8xØ12x8 MM	1
42	1 600 905 006	groove ball bearing 12x32x10	1
43	1 606 333 242	Bevel Gear Z=11	1
45	1 603 300 016	Hex Nut M7, SW10	1
47	2 910 211 018	Tapping Screw DIN 7971-ST3,9x13-F	1
48	2 910 211 005	Tapping Screw DIN 7971-ST2,9x9,5-F	1

Spare parts list

Item	Part Number	Description	Illustration
49	1 603 435 026	Thread-forming tap. Screw	1
50	2 910 211 021	Tapping Screw DIN 7971-ST3,9x22-F	1
51	1 607 233 008	Speed governor 220-230V	1
53	1 604 448 015	Connecting Cable	1
54	1 604 448 006	Connecting Cable L=40 MM WHITE	1
55	2 912 401 021	Tapping Screw DIN7981-ST3,9x22-C-Z	1
100	1 601 110 310	Reference Plate	1
105	1 601 110 470	Reference Plate	1
107	1 600 210 044	O-Ring 4,5x1,0 MM BLUE	1
803	1 604 010 248	Armature With Fan 220-230V	1
805	1 607 000 227	Power supply cord EU 4,15m 2 x 1,0mm H07 RN-F	1
810	1 607 014 116	Carbon-Brush Set	1
813	1 607 000 253	Push-Button BLACK	1
821	1 605 806 480	Gear Housing	1
828	1 607 000 936	Bearing Flange	1
832	1 607 000 D6A	Grinding Spindle	1
888	1 601 11A 3H3	Nameplate	1
650/30	1 607 950 052	Pin-Type Face-Wrench	2
650/50	2 605 703 014	Clamping Flange Ø22,3xØ42 MM	2
650/50/20	1 600 210 039	O-Ring 20,35x1,78 MM	2
650/60	2 610 364 015	Hexagon Socket Screw Key 5 MM	2
652/20	2 910 022 197	Socket head cap screw DIN 84-M 6x16-8.8	2
652/20	2 910 141 197	Hex Socket Head Cap Screw DIN 912- M6x16-8.8	2
700	1 607 000 172	Parts Set Ø 125 MM	2
700/10	1 605 510 113	Protective Cover Ø 125 MM	2
700/20	1 608 135 004	Guide Block	2
700/20/30	2 910 281 158	Round-Head Bolt DIN 603-M 5x16	2
700/20/40	2 915 191 105	Wing Nut M 5 DIN 315-G-5	2
700/20/50	1 604 643 004	Compression Spring	2
750/20	1 603 340 015	Round Nut M14	2
752	1 600 A01 36N	Protective Cover	2

Illustration - Type - E

Typ 0 601 348 7. .

Stand 96-95
Issue 96-12-09

(Bild 1)

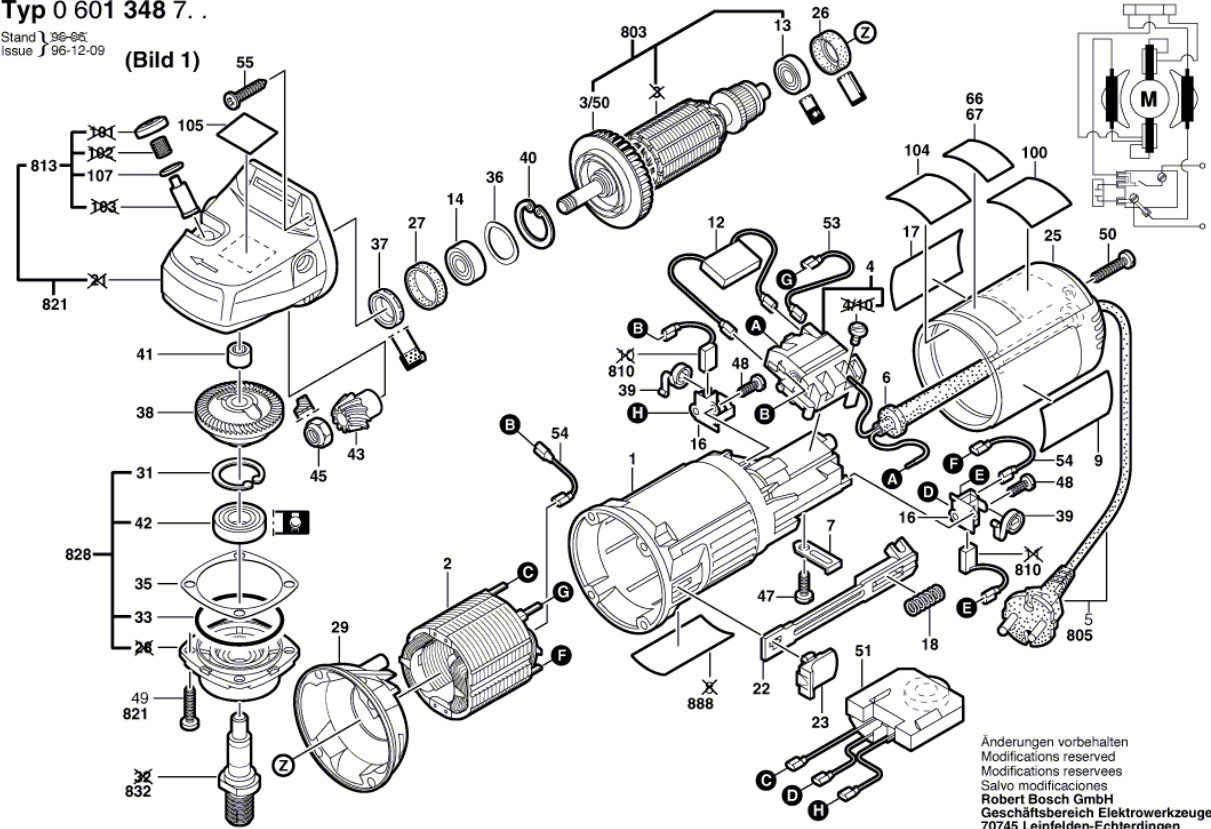
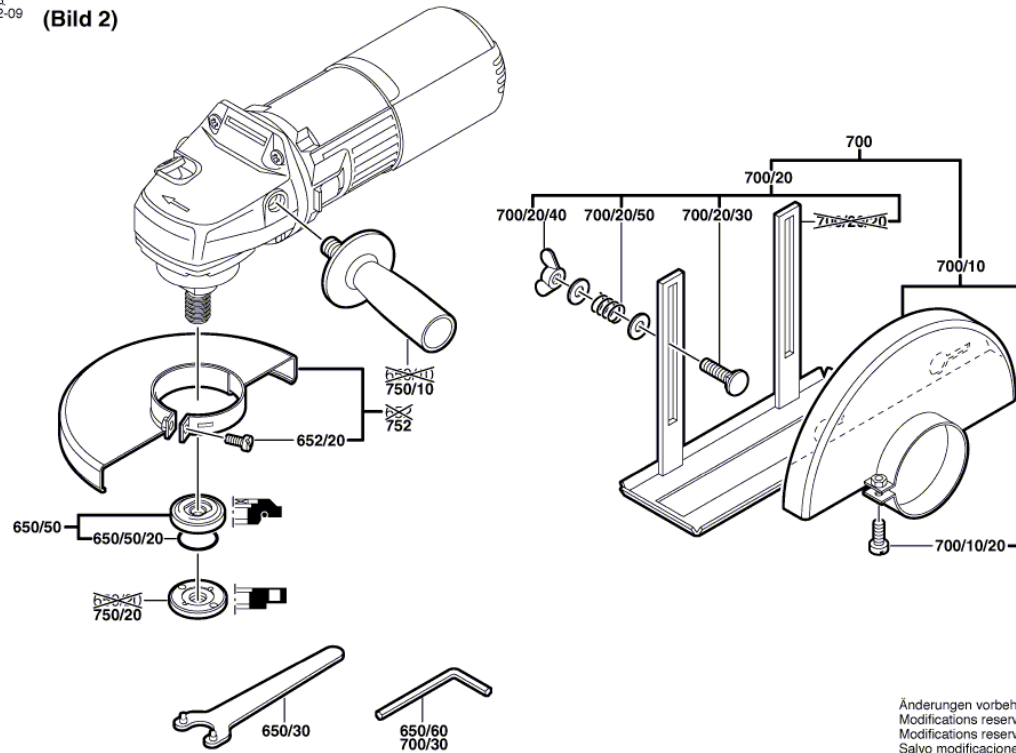


Illustration - Type - E

Typ 0 601 348 7. .

Stand 36-96
Issue 96-12-09

(Bild 2)



Änderungen vorbehalten
Modifications reserved
Modificacions reserves
Salvo modificaciones
Robert Bosch GmbH
Geschäftsbereich Elektrowerkzeuge
70745 Leinfelden-Echterdingen