



**BOSCH**

# Angle Grinder

----- | 0 601 333 139

---

## Table of Content

Spare parts list.....	2
Illustration - Type.....	4

**Spare parts list**

Item	Part Number	Description	Illustration
1	1 605 108 103	Motor Housing	1
2	1 604 220 247	Field 115V	1
2/8	1 901 350 003	Terminal lug 1,5-4x4	1
3	1 604 012 055	Armature 110-115V	1
4	1 609 200 060	On-Off Switch	1
5	1 604 460 133	Power supply cord USA/CDN 2,15m 2 x 2,08mm SJ 14/2	1
6	3 600 703 011	Grommet Ø9,2-Ø12x120 MM	1
7	1 601 302 013	Fastening Clamp	1
8	1 601 11A 3H3	Nameplate	1
9	1 601 110 003	Manufacturer's nameplate	1
16	1 604 336 008	Brush Holder	1
20	1 605 808 054	Bearing cover	1
21	1 600 102 012	Cover Disc	1
22	1 603 523 088	Grinding Spindle 5/8"	1
23	1 600 108 055	Sealing disk	1
24	1 607 000 229	Assembly Of Service Parts	1
27	1 600 910 010	Needle bearing Ø22x11,3 MM	1
28	1 600 206 022	Rubber Ring	1
29	1 600 502 013	Guide Pulley	1
30	1 600 119 004	Spring retaining ring	1
31	1 604 652 015	Spiral Spring	1
32	1 600 290 008	Rotary shaft lip seal WHITE	1
34	1 600 190 004	Shim 0,1 MM THICK	1
34	1 600 190 005	Shim 0,2 MM THICK	1
35	1 601 030 022	Tab Washer	1
36	1 600 206 015	Rubber Ring	1
39	1 601 110 358	Reference Plate CAUTION	1
40	1 600 150 009	Spring Washer Ø32,3xØ43,5x0,6 MM	1
41	1 605 500 089	Sealing cap BLUE	1
42	1 609 251 029	Handle	1
43	1 601 110 058	Reference Plate DOUBLE INSULATION	1
44	1 600 120 070	Faceplate	1
45	1 601 331 032	Holding Bracket	1
50	1 900 905 227	groove ball bearing 6203-2 Z DIN 625	1

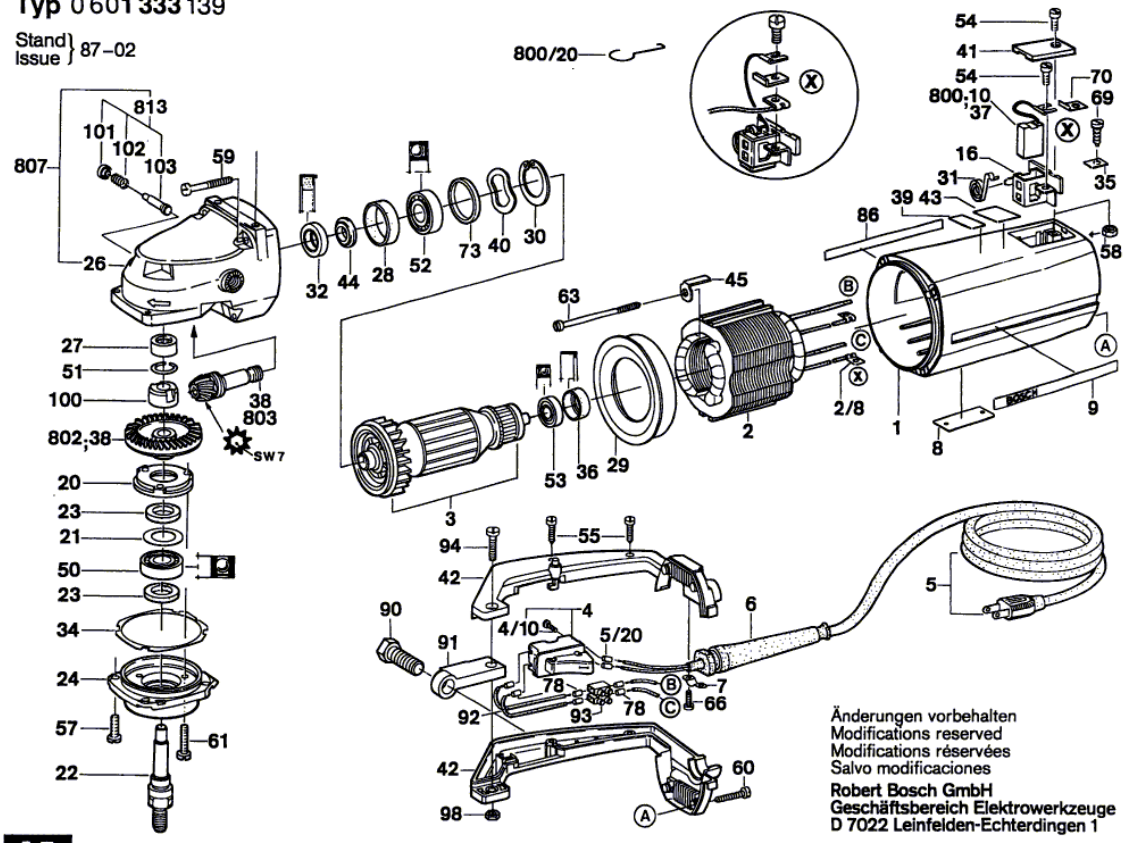
**Spare parts list**

Item	Part Number	Description	Illustration
51	2 916 620 011	Retaining ring Ø22 MM	1
52	1 900 900 413	groove ball bearing 6203-TH/C3 DIN 625	1
53	1 600 900 029	groove ball bearing	1
54	2 910 021 118	Socket head cap screw DIN 84-AM4x8-8.8	1
55	2 910 211 028	Tapping Screw DIN 7971 BZ4,2x22	1
57	2 910 011 157	Socket head cap screw DIN 84-AM5x15-5.8	1
58	2 915 011 005	Hex Nut DIN 934 -M4-m-8	1
59	3 603 415 560	Screw B 4,8x45 MM	1
60	2 914 201 529	Torx Oval-Head Screw	1
61	2 910 011 162	Socket head cap screw DIN 84-AM5x20-5.8	1
63	1 603 429 001	Tapping Screw B4,8x85 MM	1
69	2 910 211 011	Tapping Screw DIN 7971-BZ3,5x13	1
70	1 611 331 007	Tab Washer	1
73	1 600 200 022	Retaining snap ring	1
78	1 900 452 003	End Splice DIN 46 228-A2,5-7	1
86	1 601 110 073	Sticker DOUBLE INSULATION	1
90	2 911 061 388	Hex Screw M 14x25 DIN 933-8.8	1
91	1 608 040 104	Mounting Piece	1
92	1 604 413 000	Connecting Cable	1
93	1 901 091 110	Strip Terminal	1
94	2 910 011 203	Socket head cap screw DIN 84-AM6x25-5.8	1
98	2 915 051 006	Hex Nut AM 6 DIN 439-04	1
100	1 600 390 010	Grooved Ring	1
101	1 603 231 008	Push-Button	1
102	1 604 611 024	Compression Spring	1
103	1 603 123 030	Detent Pin	1
800	1 607 014 103	Carbon-Brush Set	1
802	1 606 333 187	Crown Gear Z=62	1
803	1 606 333 185	Pinion Z=13, M12	1
807	1 607 000 904	Parts Set	1
813	1 607 000 161	Parts Set	1

Illustration - Type - E

Typ 0 601 333 139

Stand } 87-02  
Issue }



**A5**

Änderungen vorbehalten  
 Modifications reserved  
 Modifications réservées  
 Salvo modificaciones  
 Robert Bosch GmbH  
 Geschäftsbereich Elektrowerkzeuge  
 D 7022 Leinfelden-Echterdingen 1