



BOSCH

Angle Grinder

---- | 0 601 321 439

Table of Content

Spare parts list.....	2
Illustration - Type.....	4

Spare parts list

Item	Part Number	Description	Illustration
2	1 604 336 008	Brush Holder	1
3	1 604 220 217	Field 110-115V	1
3/8	1 901 350 003	Terminal lug 1,5-4x4	1
6	1 604 652 015	Spiral Spring	1
8	1 605 500 089	Sealing cap BLUE	1
9	1 607 000 187	Parts Set	1
12	3 600 703 011	Grommet Ø9,2-Ø12x120 MM	1
13	1 604 460 133	Power supply cord USA/CDN 2,15m 2 x 2,08mm SJ 14/2	1
15	1 601 302 013	Fastening Clamp	1
17	1 601 037 006	Cover Plate	1
19/10	2 910 021 050	Socket head cap screw DIN 84-AM3x8-8.8	1
19/8	1 600 205 019	Felt Washer	1
20	1 605 808 054	Bearing cover	1
21	1 600 102 012	Cover Disc	1
22	1 603 523 092	Grinding Spindle 5/8"-UNC-2A	1
23	1 600 108 055	Sealing disk	1
27	2 600 910 001	Needle-Roller Bearing Ø14 MM	1
28	1 600 206 020	Rubber Ring 7 MM WIDE	1
29	1 600 502 017	Air-Deflector Ring	1
30	2 916 660 017	Spring retaining ring DIN 472 38X1,5MM	1
32	1 600 290 013	Rotary shaft lip seal 18,7 MM RED	1
34	1 600 190 004	Shim 0,1 MM THICK	1
34	1 600 190 005	Shim 0,2 MM THICK	1
35	1 601 030 022	Tab Washer	1
36	1 600 206 015	Rubber Ring	1
38	1 601 110 003	Manufacturer's nameplate	1
39	1 601 110 358	Reference Plate CAUTION	1
40	1 600 150 007	Spring Washer Ø27,5x38,4 MM	1
43	1 601 110 058	Reference Plate DOUBLE INSULATION	1
50	1 900 905 281	groove ball bearing 17x40x12	1
52	1 900 905 234	groove ball bearing 15x35x11	1
53	1 600 900 029	groove ball bearing	1
54	2 910 021 118	Socket head cap screw DIN 84-AM4x8-8.8	1
57	2 910 011 157	Socket head cap screw DIN 84-AM5x15-5.8	1

Spare parts list

Item	Part Number	Description	Illustration
58	2 910 211 020	Tapping Screw DIN 7971-BZ3,9x19	1
60	2 910 211 036	Tapping Screw DIN 7971-ST4,8x25-F	1
63	1 603 435 006	Tapping Screw B4,8x90 MM	1
65	1 611 331 007	Tab Washer	1
69	2 910 211 011	Tapping Screw DIN 7971-BZ3,5x13	1
86	1 601 110 073	Sticker DOUBLE INSULATION	1
100	1 600 390 011	Grooved Ring	1
150	1 900 452 003	End Splice DIN 46 228-A2,5-7	1
650/6	1 608 039 008	Storage Ledge	1
650/7	2 910 021 196	Socket head cap screw DIN 84-AM6x15-8.8	1
800	1 607 014 103	Carbon-Brush Set	1
803/2	1 601 353 003	Terminal lug	1
804	1 606 333 208	Crown Gear Z=55	1
805	1 606 333 220	Bevel Gear	1
809/10	2 910 091 118	Pan head screw DIN 85-AM4x8-4.8	1
813	1 607 000 161	Parts Set	1
816	1 607 000 906	Parts Set	1
817	1 607 000 229	Assembly Of Service Parts	1
830	1 604 011 125	Armature 110-115V	1
888	1 601 11A 3H3	Nameplate	1
55/1	2 910 211 021	Tapping Screw DIN 7971-ST3,9x22-F	2
66/1	2 910 021 116	Socket head cap screw DIN 84-AM4x6-8.8	2
815	1 605 132 083	Handle BLUE	2

Illustration - Type - E

Typ 0 601 321 4 ..
 Stand 87-02 9 ..
 Issue 94-09

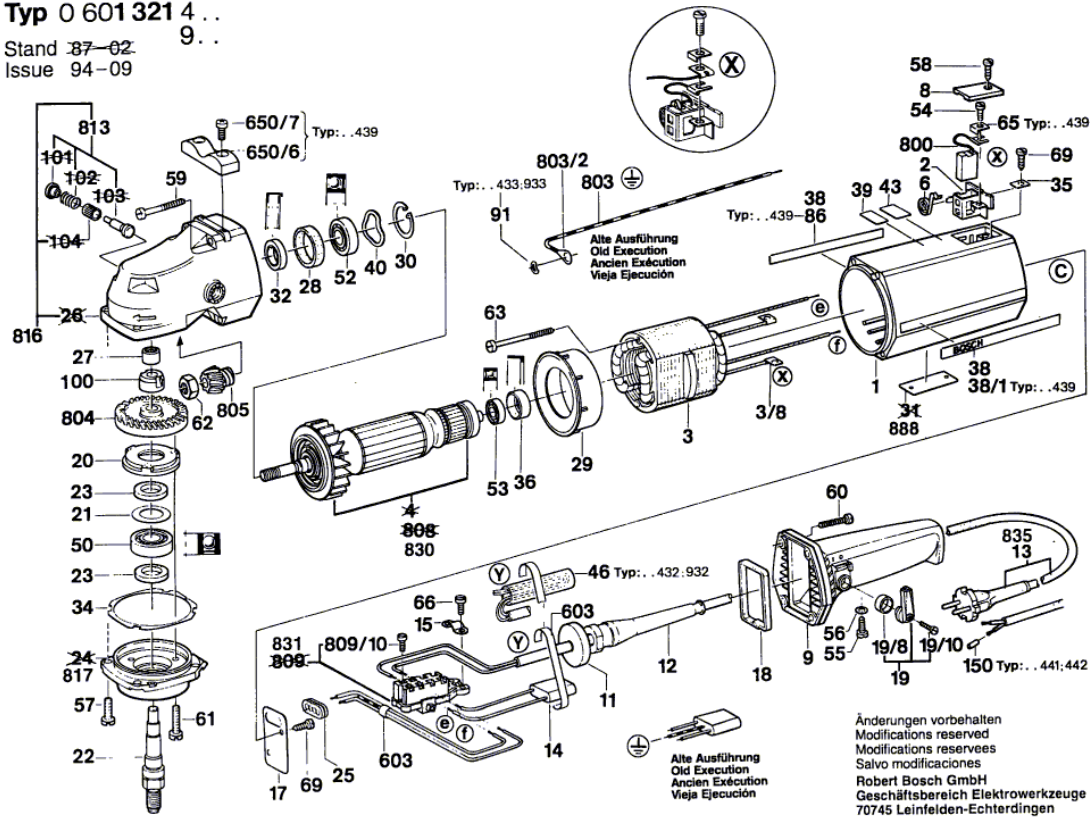
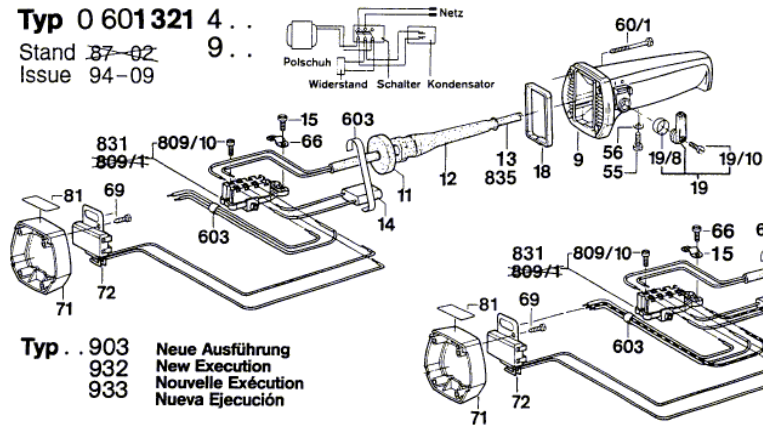
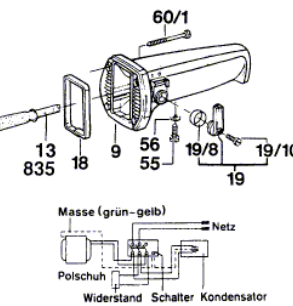


Illustration - Type - E

Typ 0 601321 4 . .
 Stand 87-02 9 . .
 Issue 94-09

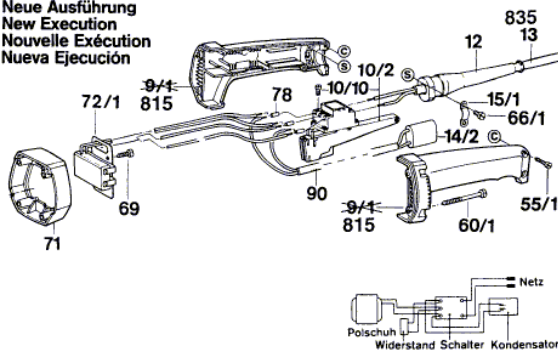


Typ . . 903 Alte Ausführung
 932 Old Execution
 933 Ancien Exécution
 Vieja Ejecución

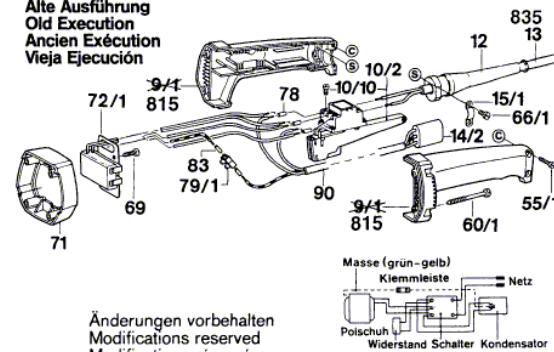


Typ . . 903 Neue Ausführung
 932 New Execution
 933 Nouvelle Exécution
 Nueva Ejecución

Typ . . 965
 Neue Ausführung
 New Execution
 Nouvelle Exécution
 Nueva Ejecución



Typ . . 965
 Alte Ausführung
 Old Execution
 Ancien Exécution
 Vieja Ejecución



Änderungen vorbehalten
 Modifications reserved
 Modifications réservées
 Salvo modificaciones