



SERVICE PARTS LIST

BULLETIN NO.
55-05-0120

SPECIFY CATALOG NO. AND SERIAL NO. WHEN ORDERING PARTS		REVISED BULLETIN	DATE
REVERSIBLE HEAVY-DUTY DRAIN CLEANER			Nov. '94
CATALOG NO. 0566-4	STARTING SERIAL NO. 496-1001 or 496A	WIRING INSTRUCTION 58-03-0980	

EXAMPLE:

00	0
----	---

 Component Parts (Small #) Are Included When Ordering The Assembly (Large #).

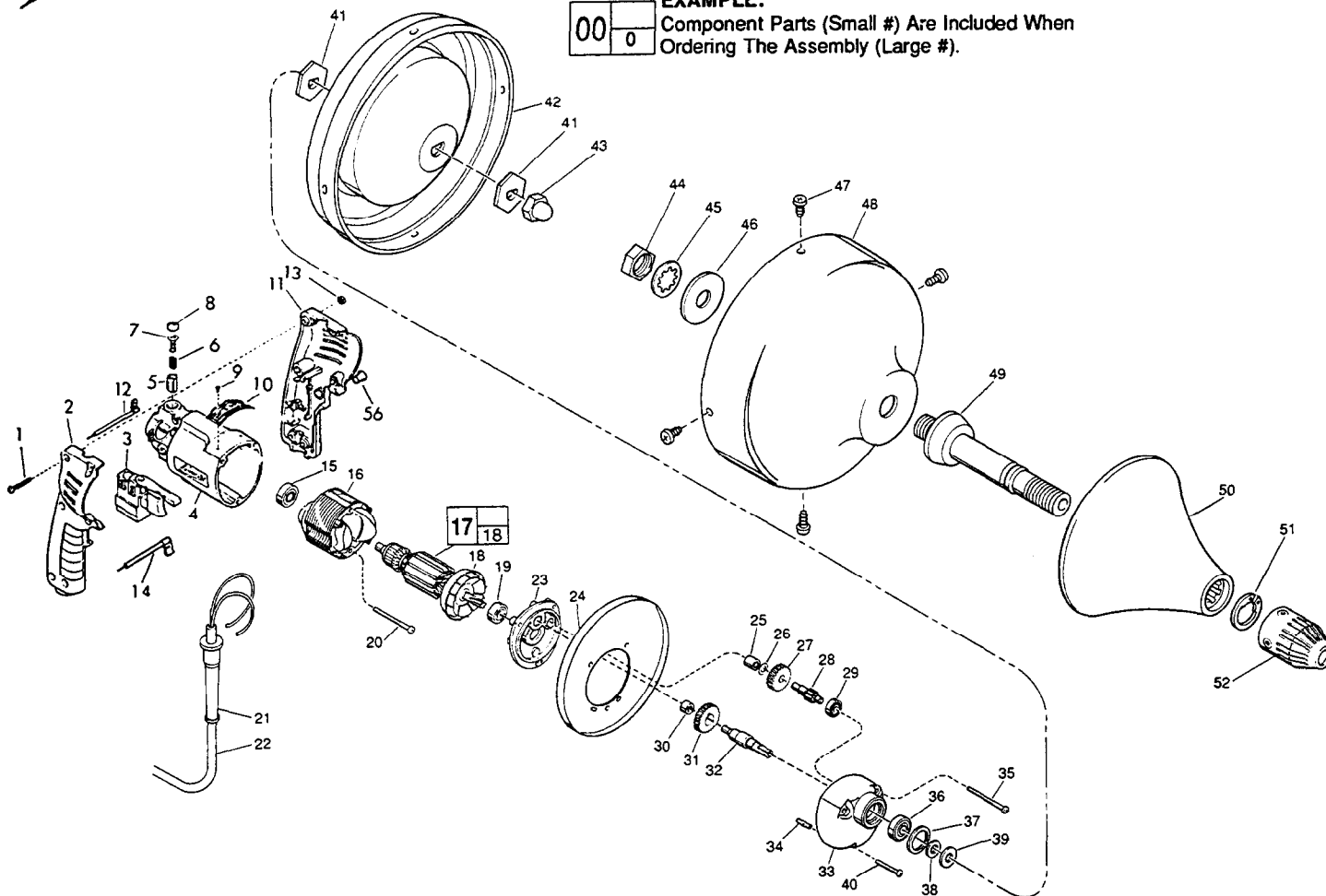


FIG.	PART NO.	DESCRIPTION OF PART	NO.REQ.
1	06-82-2361	8-32 x 15/16" Pan Hd. Slit. T-20	(6)
2	31-44-1130	Right Handle Half	(1)
3	23-66-1760	Speed Control Switch	(1)
4	31-50-0346	Motor Housing	(1)
5	22-20-0790	Brush Tube	(2)
6	22-16-0275	Carbon Brush	(2)
7	23-52-0210	Brush Spring Assembly	(2)
8	23-44-0120	Brush Retaining Screw	(2)
9	06-85-0200	Nameplate Screw	(2)
10	12-99-0570	Nameplate Blank	(1)
11	31-44-1140	Left Handle Half	(1)
12	23-94-9020	Lead Assembly	(1)
13	06-55-0835	8-32 Hex Nut	(6)
14	23-94-9030	Lead Assembly	(1)
15	02-04-0645	Ball Bearing	(1)
16	18-14-0070	220 V. Field	(1)
17	16-14-0571	220 V. Armature	(1)
18	22-84-0760	Fan Assembly	(1)
19	02-04-0847	Ball Bearing	(1)
20	06-82-7368	7-18 x 1-3/4" Pan Hd. Slit. Plast. T-20	(2)
21	44-76-0210	Cord Protector	(1)
22	22-64-4480	Cord Set	(1)
23	28-28-1770	Diaphragm	(1)
24	45-12-0216	Shield	(1)
25	02-50-1210	Needle Bearing	(1)
26	45-88-7301	Heat Treated Washer	(1)
27	32-40-1950	Intermediate Gear	(1)
28	36-66-4370	Intermediate Shaft	(1)
29	02-04-0640	Ball Bearing	(1)
30	02-50-1620	Needle Bearing	(1)

FIG.	PART NO.	DESCRIPTION OF PART	NO.REQ.
31	32-75-3220	Spindle Gear	(1)
32	38-50-5710	Reversing Spindle	(1)
33	28-14-1820	Gear Case	(1)
34	06-65-0825	1/8 x 1/2" Groove Pin	(1)
35	06-82-7368	7-18 x 1-3/4" Pan Hd. Slit. Plast. T-20	(2)
36	02-04-1020	Ball Bearing	(1)
37	34-80-1400	Retaining Ring	(1)
38	45-88-0080	Spindle Washer	(1)
39	45-88-0605	Flat Washer	(1)
40	06-82-7308	7-18 x 1-1/8" Pan Hd. Slit. Plast. T-20	(1)
41	45-88-8005	"D" Hole Hex Washer	(2)
42	43-11-0070	Upper Drum Section	(1)
43	44-40-0625	Low Crown Nut	(1)
44	06-55-3760	Special Hex Nut	(1)
45	06-97-3010	Internal Lock Washer	(1)
46	45-88-7175	Washer	(1)
47	06-82-8844	8-32 x 3/8" Pan Hd. Mach. T-20	(4)
48	43-11-0060	Lower Drum Section	(1)
49	38-50-5055	Spindle Assembly	(1)
50	43-54-0320	Hand Guard Assembly	(1)
51	34-60-1312	Retaining Ring	(1)
52	48-66-0270	Chuck	(1)
56	31-53-0110	Handle Plug	(1)

FIG. LUBRICATION
 33 1-1/4 oz. Type "E" Grease, No. 49-08-4122.

MILWAUKEE ELECTRIC TOOL CORPORATION
 13135 W. LISBON RD., BROOKFIELD, WI 53005