



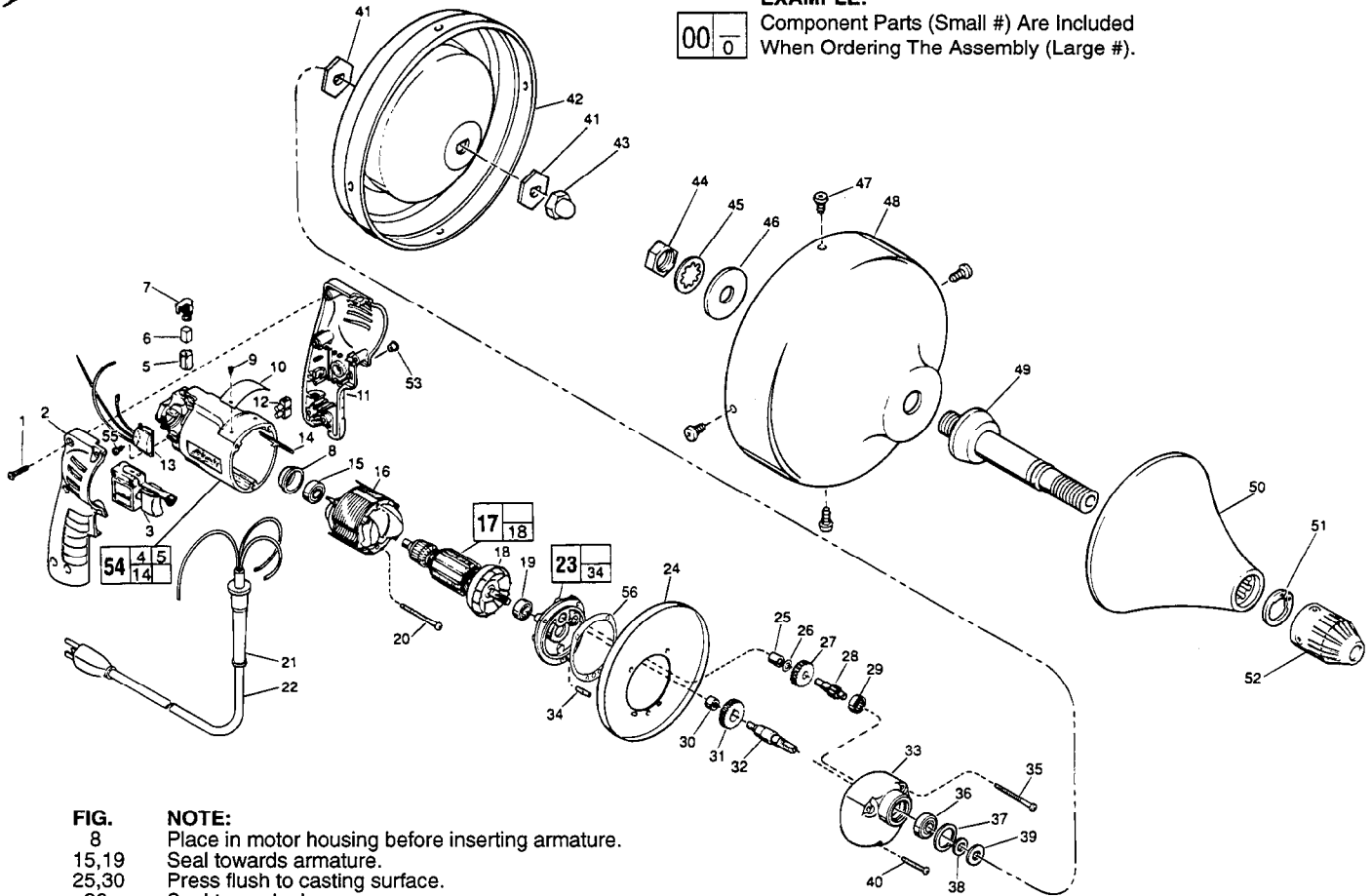
# SERVICE PARTS LIST

**BULLETIN NO.**  
**54-05-0134**

SPECIFY CATALOG NO. AND SERIAL NO. WHEN ORDERING PARTS		REVISED BULLETIN	DATE
<b>REVERSIBLE HEAVY-DUTY DRAIN CLEANER</b>		54-05-0133	May '96
CATALOG NO. <b>0566-1</b>	STARTING SERIAL NO. <b>496C</b>	WIRING INSTRUCTION <b>58-01-0031</b>	

**EXAMPLE:**

$\frac{00}{0}$  Component Parts (Small #) Are Included When Ordering The Assembly (Large #).



**FIG. 8**  
15, 19  
25, 30  
36

**NOTE:**  
Place in motor housing before inserting armature.  
Seal towards armature.  
Press flush to casting surface.  
Seal towards drum.

FIG.	PART NO.	DESCRIPTION OF PART	NO. REQ.
1	06-82-7284	8-16 x 3/4" Pan Hd. Stt. Plast. T-20	(6)
2	31-44-1745	Right Handle Half	(1)
3	23-66-2150	Speed Control Switch	(1)
4	23-94-6225	Ground Wire Assembly (Not Shown)	(1)
5	22-20-0830	Brush Tube	(2)
6	22-16-0275	Carbon Brush	(2)
7	23-52-1560	Brush Spring Assembly	(2)
8	22-72-0100	Bearing Cup	(1)
9	06-72-1720	Nameplate Rivet	(2)
10	12-99-0850	Service Nameplate	(1)
11	31-44-1740	Left Handle Half	(1)
12	22-56-0456	Terminal Block	(1)
13	14-20-0750	Remote Electronic Assembly	(1)
14	44-60-0530	Ground Pin	(1)
15	02-04-0645	Ball Bearing	(1)
16	18-11-0070	120 Volt Field	(1)
17	16-10-0571	120 Volt Armature	(1)
18	22-84-0760	Fan Assembly	(1)
19	02-04-0847	Ball Bearing	(1)
20	06-82-7393	7-18 x 2" Pan Hd. Stt. Plast. T-20	(2)
21	44-76-0210	Cord Protector	(1)
22	22-64-1120	Cord Set	(1)
★ 23	14-13-0530	Diaphragm Assembly	(1)
24	45-12-0216	Shield	(1)
25	02-50-1210	Needle Bearing	(1)
26	45-88-7301	Heat Treated Washer	(1)
27	32-40-1950	Intermediate Gear	(1)
28	36-66-4370	Intermediate Pinion Shaft	(1)
29	02-04-0640	Ball Bearing	(1)
30	02-50-1620	Needle Bearing	(1)
31	32-75-3220	Spindle Gear	(1)
32	38-50-5710	Reversing Spindle	(1)
★ 33	28-14-1825	Gear Case	(1)

FIG.	PART NO.	DESCRIPTION OF PART	NO. REQ.
★ 34	06-65-0880	Ground Pin	(1)
35	06-82-7380	7-18 x 1-7/8" Pan Hd. Stt. Plast. T-20	(2)
36	02-04-1020	Ball Bearing	(1)
37	34-80-1400	Retaining Ring	(1)
38	45-88-0080	Chuck Washer	(1)
39	45-88-0605	Flat Washer	(1)
40	06-82-7320	7-18 x 1-1/4" Pan Hd. Stt. Plast. T-20	(1)
41	45-88-8005	"D" Hole Hex Washer	(2)
42	43-11-0070	Upper Drum Section	(1)
43	44-40-0625	Low Crown Nut	(1)
44	06-55-3760	Special Hex Nut	(1)
45	06-97-3010	Internal Lock Washer	(1)
46	45-88-7175	Washer	(1)
47	06-82-8845	8-32 x 3/8" Pan Hd. Sems T-20	(4)
48	43-11-0060	Lower Drum Section	(1)
49	38-50-5055	Spindle Assembly	(1)
50	43-54-0320	Hand Guard Assembly	(1)
51	34-60-1312	Retaining Ring	(1)
52	48-66-0270	Chuck	(1)
53	31-53-0110	Plug	(1)
54	14-38-0601	Motor Housing Assembly	(1)
55	06-82-7212	4-20 x 1/4" Pan Hd. Plast. T-10	(1)
★ 56	43-44-0925	Gasket	(1)

**FIG. LUBRICATION**

33 1-1/4 Oz. Type "E" Grease, No. 49-08-4122. Place near Intermediate shaft ball bearing in gear case.

**MILWAUKEE ELECTRIC TOOL CORPORATION**  
13135 W. LISBON RD., BROOKFIELD, WI 53005