



SERVICE PARTS LIST

BULLETIN NO.
54-05-0130

SPECIFY CATALOG NO. AND SERIAL NO. WHEN ORDERING PARTS		REVISED BULLETIN 54-05-0129	DATE Apr. '88
REVERSIBLE HEAVY-DUTY DRAIN CLEANER		WIRING INSTRUCTION 58-01-0018	
CATALOG NO. 0566-1	STARTING SERIAL NO. 496-61651		

EXAMPLE:
Component Parts (Small #)
Are Included When Ordering
The Assembly (Large #).

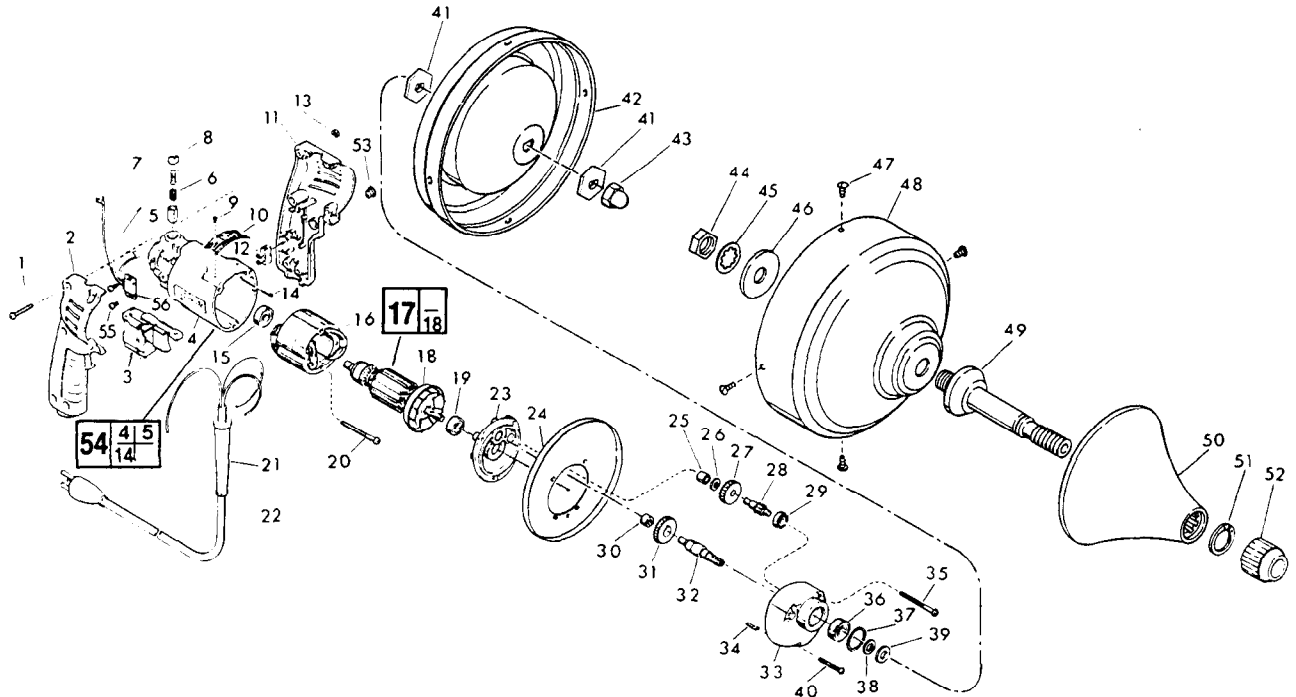


FIG.	PART NO.	DESCRIPTION OF PART	NO. REQ.
★ 1	06-82-2361	8-32 x 15/16" Pan Hd. Slit. Torx Screw	(6)
2	31-44-1130	Right Handle Half	(1)
★ 3	23-66-1657	Speed Control Switch	(1)
★ 4	31-50-0346	Motor Housing	(1)
5	22-20-0530	Brush Tube	(2)
6	22-16-0275	Carbon Brush	(2)
7	23-52-0210	Brush Spring Assembly	(2)
8	23-44-0120	Brush Retaining Screw	(2)
9	06-85-0200	Nameplate Screw	(2)
10	12-99-0313	Nameplate Blank	(1)
11	31-44-1140	Left Handle Half	(1)
★ 12	22-56-0456	Terminal Block	(1)
13	06-55-0835	8-32 Hex Nut	(6)
14	44-60-0530	Ground Pin	(1)
15	02-04-0645	Ball Bearing	(1)
16	18-10-0070	120 Volt Field	(1)
17	16-10-0571	120 Volt Armature	(1)
18	22-84-0760	Fan Assembly	(1)
19	02-04-0847	Ball Bearing	(1)
★ 20	06-82-7368	7 x 1-3/4" Pan Hd. Slit. Plast. Torx Screw	(2)
21	44-76-0130	Cord Protector	(1)
22	22-64-1120	Cord Set	(1)
23	28-28-1770	Diaphragm	(1)
24	45-12-0216	Shield	(1)
25	02-50-1210	Needle Bearing	(1)
26	45-88-7301	Heat Treated Washer	(1)
27	32-40-1950	Intermediate Gear	(1)
28	36-66-4370	Intermediate Shaft	(1)
29	02-04-0640	Ball Bearing	(1)
30	02-50-1620	Needle Bearing	(1)

FIG.	PART NO.	DESCRIPTION OF PART	NO. REQ.
	31	32-75-3220 Spindle Gear	(1)
	32	38-50-5710 Reversing Spindle	(1)
	33	28-14-1820 Gear Case	(1)
	34	06-65-0825 1/8 x 1/2" Groove Pin	(1)
★	35	06-82-7368 7 x 1-3/4" Pan Hd. Slit. Plast. Torx Screw	(2)
	36	02-04-1020 Ball Bearing	(1)
	37	34-80-1400 Retaining Ring	(1)
	38	45-88-0080 Chuck Washer	(1)
	39	45-88-0605 Flat Washer	(1)
★	40	06-82-7308 7 x 1-1/8" Pan Hd. Slit. Plast. Torx Screw	(1)
	41	45-88-8005 "D" Hole Hex Washer	(2)
	42	43-11-0021 Upper Drum Section	(1)
	43	44-40-0625 Low Crown Nut	(1)
	44	06-55-3760 Special Hex Nut	(1)
	45	06-97-3010 Internal Lock Washer	(1)
	46	45-88-7175 Washer	(1)
	47	06-95-0070 6-19 x 3/8" Plastite Pan Hd. Screw	(4)
	48	43-11-0031 Lower Drum Section	(1)
	49	38-50-5055 Spindle Assembly	(1)
	50	43-54-0320 Hand Guard Assembly	(1)
★	51	34-60-1312 Retaining Ring	(1)
	52	48-66-0270 Chuck	(1)
★	53	31-53-0110 Plug	(1)
★	54	14-38-0375 Motor Housing Assembly	(1)
★	55	06-82-7212 4-20 x 1/4" Pan Hd. Plast. Torx	(2)
★	56	14-20-0240 Remote Electronic Assembly	(1)

FIG. LUBRICATION

33 1-1/4 Oz. Type "E" Grease, No. 49-08-4121