



SERVICE PARTS LIST

BULLETIN NO.
54-05-0129

SPECIFY CATALOG NO. AND SERIAL NO. WHEN ORDERING PARTS		REVISED BULLETIN 54-05-0128	DATE March '86
REVERSIBLE HEAVY-DUTY DRAIN CLEANER		WIRING INSTRUCTION 58-01-0015	
CATALOG NO. 0566-1	STARTING SERIAL NO. 496-50000		

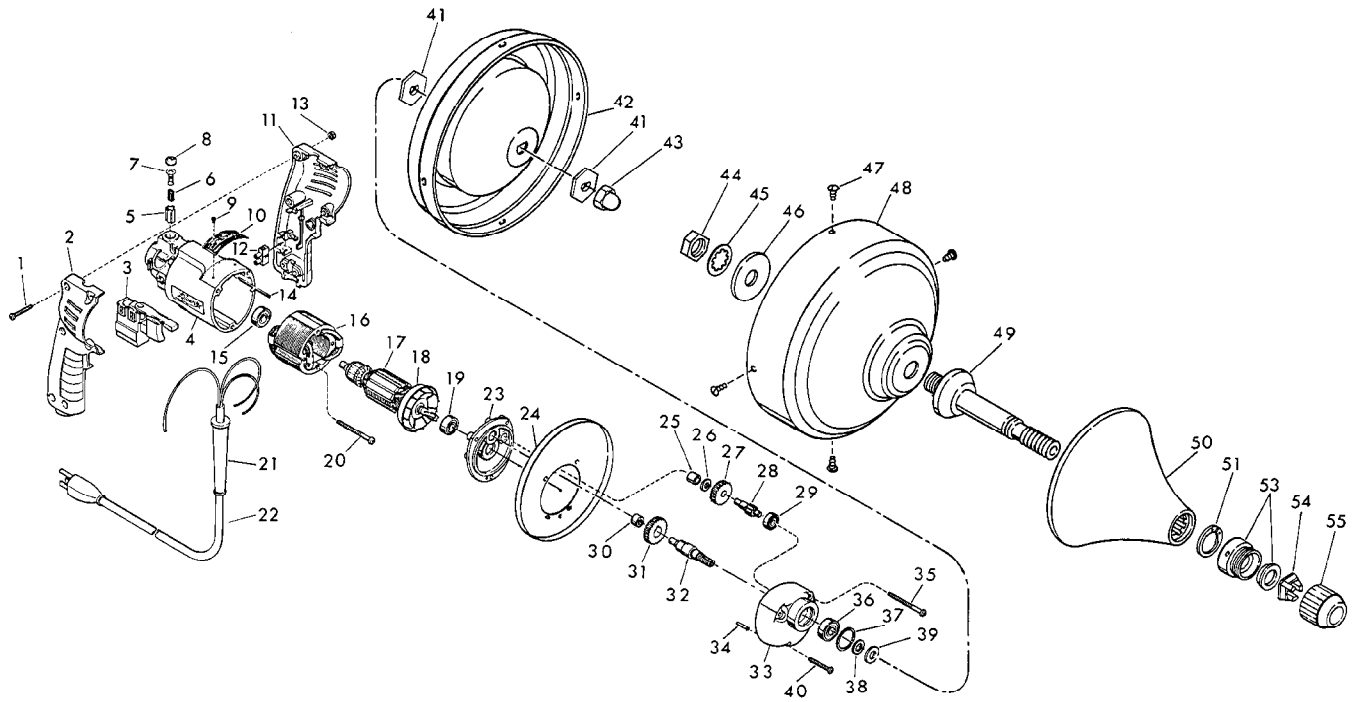


FIG.	PART NO.	DESCRIPTION OF PART	NO. REQ.	FIG.	PART NO.	DESCRIPTION OF PART	NO. REQ.
	1	06-81-0473 8-32 x 1" Pan Hd. Pozidriv Screw	(6)	★	31	32-75-3220 Spindle Gear	(1)
	2	31-44-1130 Right Handle Half	(1)	★	32	38-50-5710 Reversing Spindle	(1)
	3	23-66-1255 Speed Control Switch	(1)	★	33	28-14-1820 Gear Case	(1)
★	4	31-50-0345 Motor Housing	(1)	34	06-65-0825 1/8 x 1/2" Groove Pin	(1)	
	5	22-20-0530 Brush Tube	(2)	35	06-95-0145 7 x 1-3/4" Pan Hd. Pozidriv Screw	(2)	
	6	22-16-0275 Carbon Brush	(2)	36	02-04-1020 Ball Bearing	(1)	
	7	23-52-0210 Brush Spring Assembly	(2)	37	34-80-1400 Retaining Ring	(1)	
	8	23-44-0120 Brush Retaining Screw	(2)	★	38	45-88-0080 Chuck Washer	(1)
	9	06-85-0200 Nameplate Screw	(2)	★	39	45-88-0605 Flat Washer	(1)
★	10	12-99-0313 Nameplate Blank	(1)	40	06-95-0137 7 x 1-1/8" Pan Hd. Pozidriv Screw	(1)	
	11	31-44-1140 Left Handle Half with 31-53-0110 Plug	(1)	★	41	45-88-8005 "D" Hole Hex Washer	(2)
	12	22-56-0455 Terminal Block	(1)	42	43-11-0021 Upper Drum Section	(1)	
	13	06-55-0835 8-32 Hex Nut	(6)	★	43	44-40-0625 Low Crown Nut	(1)
	14	44-60-0530 Ground Pin	(1)	44	06-55-3760 Special Hex Nut	(1)	
★	15	02-04-0645 Ball Bearing	(1)	45	06-97-3010 Internal Lock Washer	(1)	
	16	18-10-0070 120 V. Field	(1)	46	45-88-7175 Washer	(1)	
★	17	16-10-0571 120 V. Armature (Includes Fig. 18)	(1)	47	06-95-0070 6-19 x 3/8" Plastite Pan Hd. Screw	(4)	
	18	22-84-0760 Fan Assembly	(1)	48	43-11-0031 Lower Drum Section	(1)	
	19	02-04-0847 Ball Bearing	(1)	49	38-50-5055 Spindle Assembly	(1)	
	20	06-95-0145 7 x 1-3/4" Pan Hd. Pozidriv Screw	(2)	50	43-54-0320 Hand Guard Assembly	(1)	
	21	44-76-0130 Cord Protector	(1)	51	34-60-2310 Retaining Ring	(1)	
	22	22-64-1120 Cord Set	(1)	52	48-66-0270 Chuck (Fig. Nos. 53 Thru 55)	(1)	
★	23	28-28-1770 Diaphragm	(1)	53	42-30-0270 Chuck Body and Thrust Plug	(1)	
★	24	45-12-0216 Shield	(1)	54	42-77-0010 Chuck Collet	(1)	
	25	02-50-1210 Needle Bearing	(1)	55	45-22-0310 Chuck Sleeve	(1)	
★	26	45-88-7301 Heat Treated Washer	(1)				
★	27	32-40-1950 Intermediate Gear	(1)				
★	28	36-66-4370 Intermediate Shaft	(1)				
	29	02-04-0640 Ball Bearing	(1)				
	30	02-50-1620 Needle Bearing	(1)				