



SERVICE PARTS LIST

BULLETIN NO.
54-05-0141

SPECIFY CATALOG NO. AND SERIAL NO. WHEN ORDERING PARTS		REVISED BULLETIN 54-05-0140	DATE Mar.'93
CORDLESS DRAIN CLEANER		WIRING INSTRUCTION 58-01-1030	
CATALOG NO. 0564-1	SERIAL NUMBER 789A		

00
0

EXAMPLE:
Component Parts (Small #) Are Included
When Ordering The Assembly (Large #).

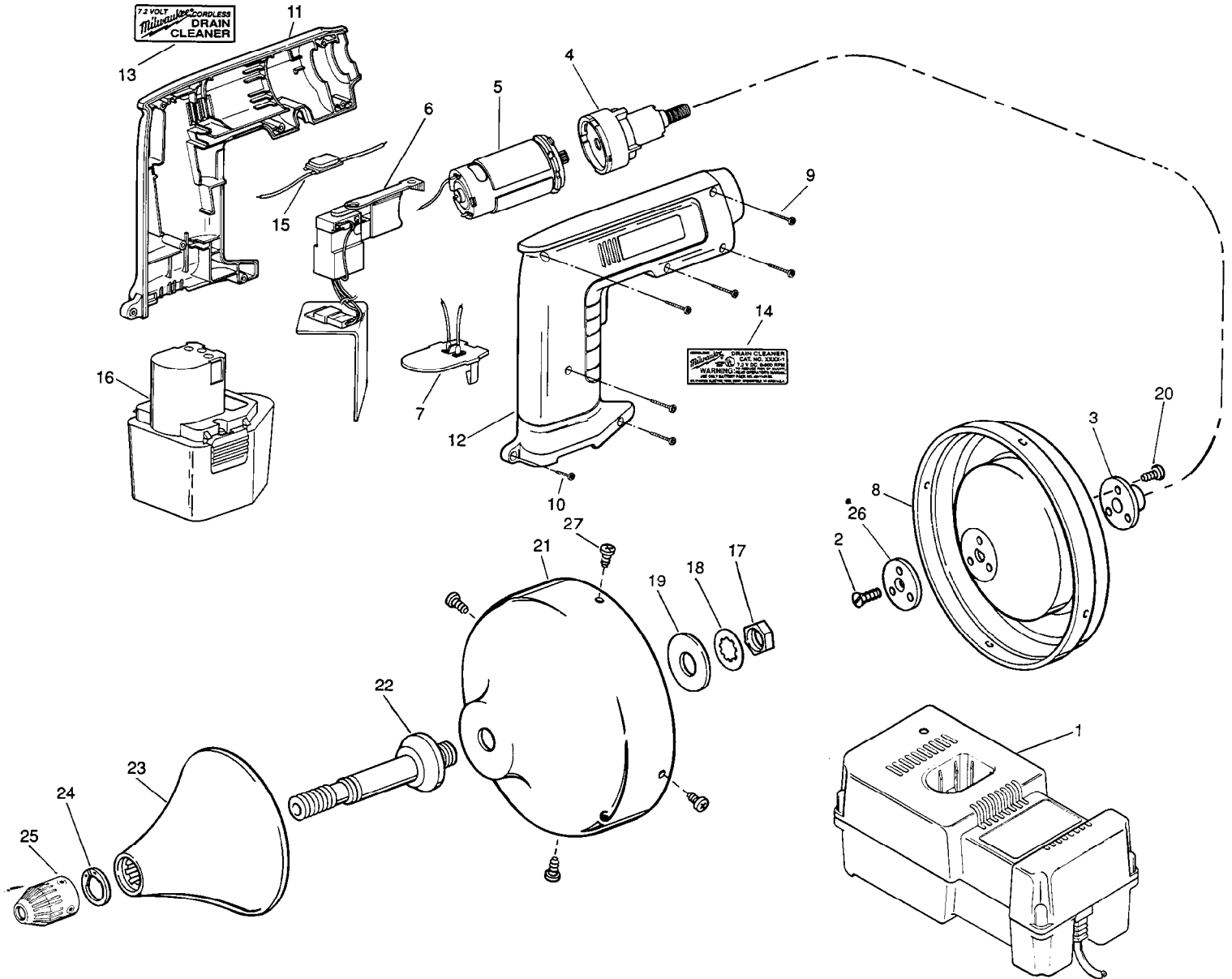


FIG.	PART NO.	DESCRIPTION OF PART	NO. REQ.
	1	7.2 Volt Battery Charger (Refer to Bulletin 54-04-0120)	(1)
★	2	Chuck Retaining Screw T-20	(1)
	3	Mounting Hub	(1)
	4	Gear Box Assembly	(1)
	5	Motor Assembly	(1)
	6	Switch	(1)
	7	Terminal Assembly	(1)
	8	Upper Drum Section	(1)
	9	4-20x3/4" Plast. Pan Hd. T-10 Screw	(6)
	10	4-20x1/2" Plast. Pan Hd. T-10 Screw	(1)
	11	Left Housing	(1)
	12	Right Housing	(1)
	13	Label	(1)
★	14	Service Nameplate Kit	(1)

FIG.	PART NO.	DESCRIPTION OF PART	NO. REQ.
	15	Thermal Protector	(1)
	16	7.2 Volt Battery Pack	(1)
	17	Special Hex Nut	(1)
	18	Internal Lock Washer	(1)
	19	Washer	(1)
	20	8-32 x 3/8" Machine T-20 Screw	(3)
	21	Lower Drum Section	(1)
	22	Spindle Assembly	(1)
	23	Hand Guard Assembly	(1)
	24	Retaining Ring	(1)
	25	Chuck	(1)
	26	Mounting Plate	(1)
	27	8-32 x 3/8" Machine T-20 Screw	(4)

MILWAUKEE ELECTRIC TOOL CORPORATION
13135 W. LISBON RD., BROOKFIELD, WI 53005