



SERVICE PARTS LIST

BUL. 54-05-0102

DRAIN CLEANER

REVISED BUL
54-05-0101

DATE
Nov. '71

Catalog No. 0562-1

Starting
Serial No. **432-4646**

WIRING INSTR.
58-01-0650

Both Model and Serial No. must be furnished to obtain correct parts.

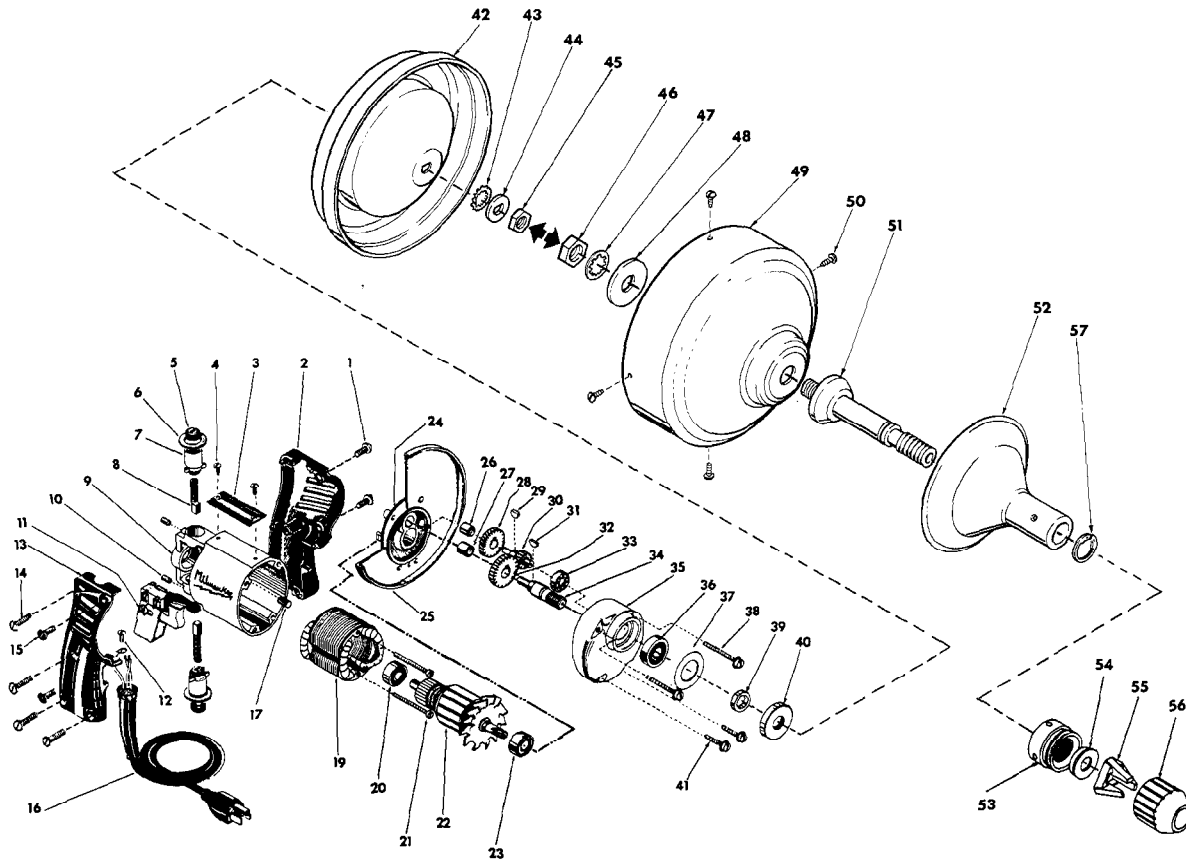


FIG.	PART NO.	DESCRIPTION OF PART	NO. REQ.	FIG.	PART NO.	DESCRIPTION OF PART	NO. REQ.
1	06-81-0450	8-32x3/8 Pan Hd. Handle Mtg.Scr.	(2)	30	36-66-0851	Intermediate Pinion Shaft	
2	31-44-0261	L.H. Handle Half		31	06-42-0809	Woodruff Key	
★ 3	12-99-0022	Name Plate		32	32-75-1101	Spindle Gear	
4	06-85-0200	Name Plate Screws	(2)	33	02-04-0640	Ball Bearing	
5	23-44-0020	Brush Retaining Cap	(2)	34	38-50-4001	Spindle	
6	23-86-0070	Insulating Washer	(2)	★ 35	28-14-0363	Gear Case	
7	22-22-0251	Brush Holder Assy.	(2)	36	02-04-1020	Ball Bearing	
8	22-18-0360	Carbon Brush Assy.	(2)	★ 37	34-80-1400	Retaining Ring	
9	28-50-6091	Motor Housing (incl. fig. 17)		38	06-81-6550	8-32x1½ Fil.Hd. Sems Gear Case Scr. (2)	
10	06-83-2430	10-32x¼ Socket Hd.Br.Hld. Set Scr. (2)		39	45-88-0080	Spacer	
11	23-66-0795	Rev. Speed Control Switch		40	45-36-0620	Spacer	
12	06-81-8625	6-32x¼ Sems Ground Screw		41	06-81-6300	8-32x7/8 Fil.Hd. Sems Gear Case Scr. (2)	
13	31-44-0250	R.H. Handle Half		42	43-11-0010	Upper Drum Section	
14	06-81-0400	8-32x¾ Pan Hd. Handle Mtg.Scr. (4)		43	06-97-4130	Lock Washer	
15	06-81-0450	8-32x3/8 Pan Hd. Handle Mtg. Scr. (2)		44	45-88-7235	"D" Hole Washer	
16	22-64-0660	Cord Set		45	06-55-2450	Hex Nut	
17	45-30-0120	Ball Bearing Ret. Slug		46	06-55-3760	Hex Nut	
19	18-22-1060	Field		47	06-97-3010	Internal Lockwasher	
20	02-04-0740	Ball Bearing		48	45-88-7175	Wrought Washer	
21	06-81-5950	6-32x1-7/8 Fil.Hd. Sems Field Scr. (2)		49	43-11-0011	Lower Drum Section	
22	16-22-1160	Armature Assy.		50	06-85-1800	Phillips Hd. Self Tap. Scr. (4)	
23	02-04-0740	Ball Bearing		51	38-50-5055	Spindle Assembly	
24	28-28-0221	Diaphragm		52	43-54-0220	Hand Guard Assembly	
25	45-12-0210	Shield		53	42-30-0270	Chuck Body (Includes Item 54)	
26	02-50-1210	Needle Bearing		54	-	Thrust Plug (See Item 53)	
27	02-50-1640	Needle Bearing		55	42-77-0010	Chuck Collet	
28	32-40-1121	Intermediate Gear		56	45-22-0310	Chuck Sleeve	
29	06-42-0400	Woodruff Key		57	34-60-2310	Retaining Ring	