



SERVICE PARTS LIST

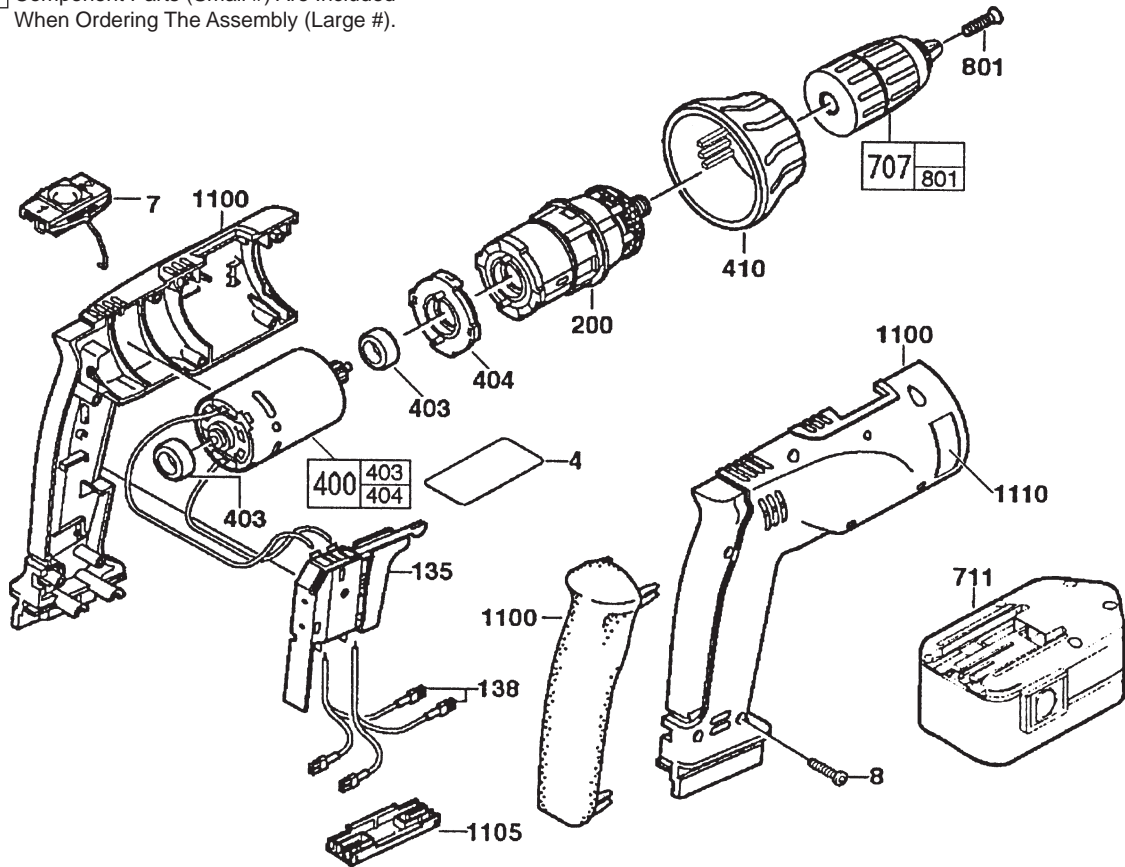
BULLETIN NO.
54-24-2550

| | | | |
|--|---------------------------------|---------------------------------|-----------|
| SPECIFY CATALOG NO. AND SERIAL NO. WHEN ORDERING PARTS | | REVISED BULLETIN | DATE |
| 18 VOLT 1/2" POWER PLUS HAMMER DRIVER DRILL | | | Feb. 2009 |
| CATALOG NO. 0523-20 | STARTING SERIAL NO. 979A | WIRING INSTRUCTION See Inset | |

EXAMPLE:

| | |
|----|---|
| 00 | 0 |
|----|---|

 Component Parts (Small #) Are Included
 When Ordering The Assembly (Large #).



NOTE:
Proper polarity in terminal block requires leads to be crossed as illustrated.

WARNING!
Switch polarity sensitive if wired incorrectly with terminal block (1105). Switch will be damaged and destroyed.

| FIG. | PART NO. | DESCRIPTION OF PART | QTY. |
|------|------------|----------------------------|------|
| 4 | 12-20-0920 | Service Nameplate | (1) |
| 7 | 45-24-0090 | Slide High / Low | (1) |
| 8 | 06-82-7236 | Screw | (7) |
| 135 | 23-66-0700 | Switch | (1) |
| 138 | 23-94-6390 | Lead Wire Assembly | (2) |
| 200 | 14-46-0514 | Service Motor Gearcase Kit | (1) |
| 400 | 23-30-0360 | Motor | (1) |
| 403 | 45-22-0340 | Rubber Sleeve | (2) |
| 404 | 44-66-5925 | Motor Mount Plate | (1) |
| 410 | 43-76-0680 | Torque Selector Ring | (1) |
| 707 | 48-66-1400 | Keyless Chuck | (1) |
| 711 | ----- | Battery Pack | (1) |
| 801 | 06-82-1005 | Chuck Screw | (1) |
| 1100 | 31-50-1630 | Housing Assembly | (1) |
| 1105 | 22-56-0200 | Terminal Block | (1) |
| 1110 | 10-15-0190 | Warning Label | (1) |