



# SERVICE PARTS LIST

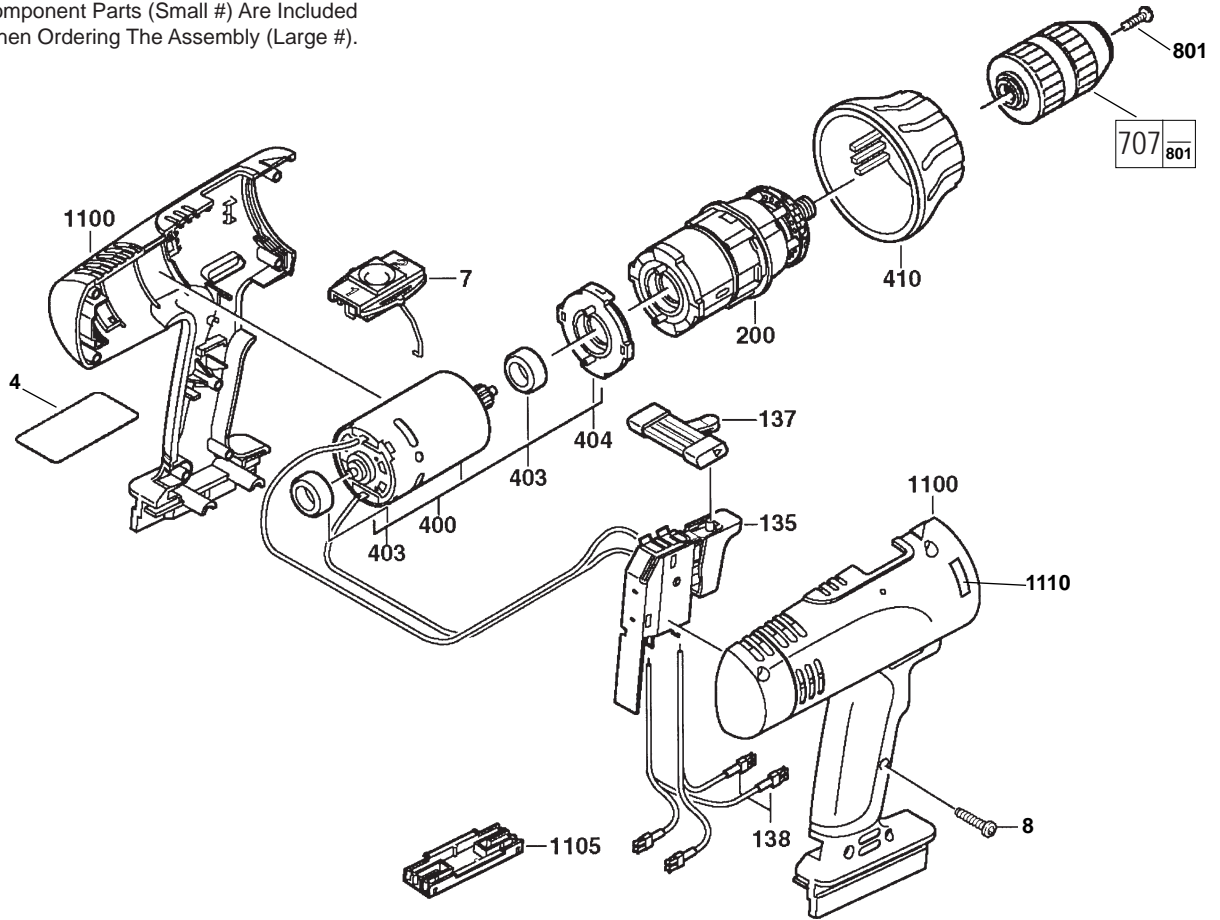
**BULLETIN NO.**  
**54-06-2525**

SPECIFY CATALOG NO. AND SERIAL NO. WHEN ORDERING PARTS		REVISED BULLETIN	DATE
<b>18 VOLT 1/2" POWER PLUS DRIVER DRILL</b>			Feb. 2009
CATALOG NO. <b>0522-20</b>	STARTING SERIAL NO. <b>952A</b>	WIRING INSTRUCTION See Inset	

**EXAMPLE:**  

00	0
----	---

 Component Parts (Small #) Are Included  
 When Ordering The Assembly (Large #).



**NOTE:**  
 Proper polarity in terminal block requires leads to be crossed as illustrated.

**WARNING!**  
 Switch polarity sensitive if wired incorrectly with terminal block (1105). Switch will be damaged and destroyed.

FIG.	PART NO.	DESCRIPTION OF PART	QTY
4	12-20-0325	Service Nameplate	(1)
7	45-24-0090	Slide High / Low	(1)
8	06-82-7236	Screw	(7)
135	23-66-0605	Switch	(1)
137	45-24-0500	Reversing Shuttle	(1)
138	23-94-1170	Lead Wire Assembly	(2)
200	14-46-0524	Service Motor Gearcase Kit	(1)
400	23-30-0370	Motor	(1)
403	45-22-0340	Rubber Sleeve	(2)
404	44-66-5925	Motor Mount Plate	(1)
410	43-76-0670	Torque Selector Ring	(1)
707	48-66-0365	Keyless Chuck (Plastic)	(1)
707	48-66-1375	Keyless Chuck (All Metal)	(1)
----	-----	Battery Pack (Not Shown)	(1)
801	06-81-2925	Chuck Screw	(1)
1100	31-50-0270	Housing Assembly	(1)
1105	22-56-0200	Terminal Block	(1)
1110	10-15-0190	Warning Label	(1)