



SERVICE PARTS LIST

BUL. 54-06-4040

3/8" POWER UNIT

REVISED BUL
6223-1

DATE
June '72

Catalog No. 0520

Starting
Serial No. **221-1001**

WIRING INSTR.
58-01-0110

Both Model and Serial No. must be furnished to obtain correct parts.

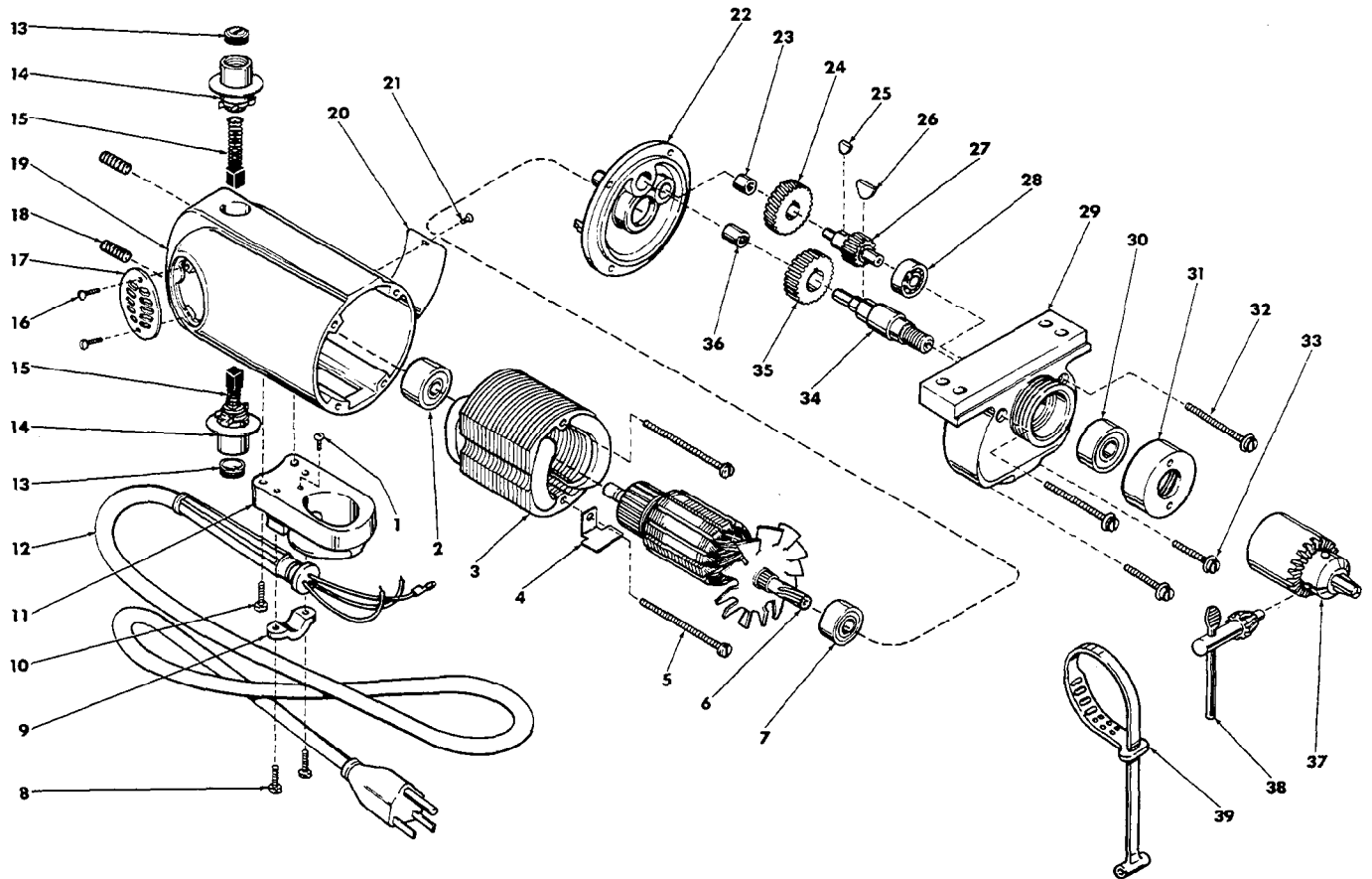


FIG.	PART NO.	DESCRIPTION OF PART	NO.REQ.	FIG.	PART NO.	DESCRIPTION OF PART	NO.REQ.
1	06-81-8625	6-32x1/4 Ground Screw		21	06-85-0200	6x1/4 Rd.Hd. Drive-In Screw	(2)
2	02-04-0740	Ball Bearing		22	28-28-0221	Diaphragm	
3	18-22-1030	115 Volt Field		23	02-50-1210	Needle Bearing	
4	42-14-0060	Baffle		24	32-40-1121	Intermediate Gear	
5	06-81-5950	6-32x1-7/8 Fil.Hd. Sem	(2)	25	06-42-0400	Woodruff Key	
6	16-22-1110	115 Volt Armature		26	06-42-0800	Woodruff Key	
7	02-04-0740	Ball Bearing		27	36-66-0851	Intermediate Shaft	
8	06-81-6100	8-32x7/16 Fil.Hd. Sem	(2)	28	02-04-0640	Ball Bearing	
9	28-17-0400	Clamp Strap		29	28-14-0481	Gear Case	
10	06-81-6150	8-32x1/2 Fil.Hd. Sem	(2)	30	02-04-1020	Ball Bearing	
11	28-50-1301	Cord Clamp Housing		31	42-52-0060	Bearing Cap	
12	22-64-0170	Cord Set		32	06-81-6550	8-32x1-1/2 Fil.Hd. Sem	(2)
13	23-44-0020	Brush Retaining Screw	(2)	33	06-81-6300	8-32x7/8 Fil.Hd. Sem	(2)
14	22-22-0050	Brush Holder	(2)	34	38-50-1051	Spindle	
15	22-18-0090	Carbon Brush	(2)	35	32-75-1101	Spindle Gear	
16	06-81-8650	6-32x1/4 Rd.Hd. Sem	(4)	36	02-50-1640	Needle Bearing	
17	44-66-0110	Cover Plate	(2)	37	48-66-0800	Chuck	
18	06-83-2670	1/4-20x1/2 Knrl. Set Screw	(2)	38	48-66-3080	Chuck Key	
19	28-50-4443	Motor Housing		39	48-66-4040	Chuck Key Holder	
20	12-98-0800	Nameplate					