



SERVICE PARTS LIST

BULLETIN NO.
54-06-1026

SPECIFY CATALOG NO. AND SERIAL NO. WHEN ORDERING PARTS		REVISED BULLETIN	DATE
12 VOLT 1/2" CORDLESS DRILL		54-06-1025	May '96
CATALOG NO. 0430-1	STARTING SERIAL NO. 847B	WIRING INSTRUCTION 58-01-1605	



EXAMPLE:
Component Parts (Small #) Are Included
When Ordering The Assembly (Large #).

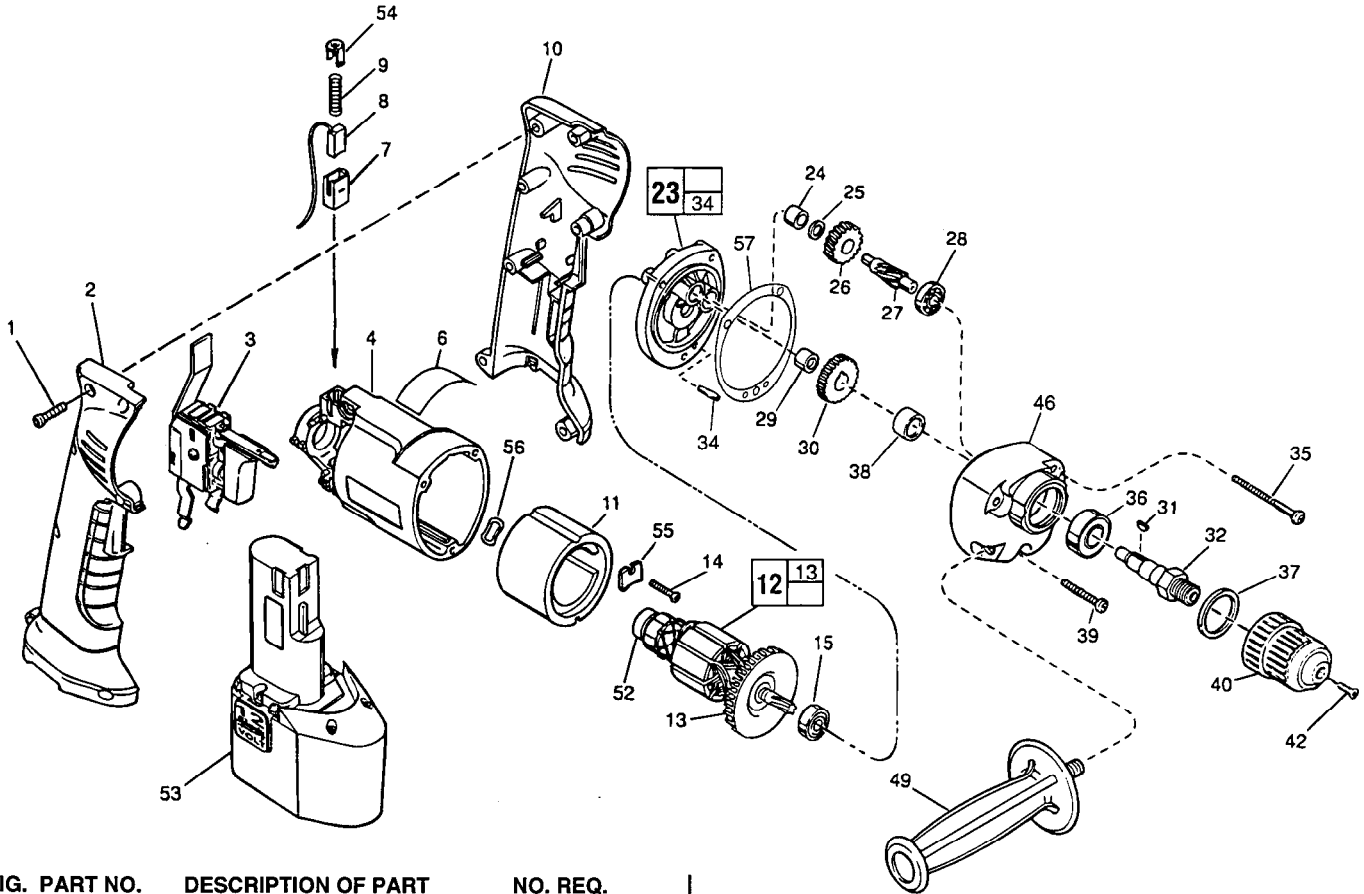


FIG.	PART NO.	DESCRIPTION OF PART	NO. REQ.
1	06-82-9207	6-32 x 11/16" Pan Hd. Slit. Plast. T-20	(7)
2	31-44-1885	Right Handle Half	(1)
3	23-66-2300	Speed Control Switch	(1)
4	31-50-1080	Motor Housing	(1)
6	12-20-1180	Service Nameplate Kit	(1)
7	22-20-0860	Brush Tube	(2)
8	22-18-0840	Brush Assembly - Top	(1)
	22-18-0845	Brush Assembly - Bottom	(1)
9	40-50-8775	Brush Spring	(2)
10	31-44-1880	Left Handle Half	(1)
11	18-01-0010	Field	(1)
12	16-01-0040	Armature	(1)
13	22-84-0830	Fan Assembly	(1)
14	06-82-7261	6-19 x 11/16" Pan Hd. Slit. Plast. T-20	(1)
15	02-04-0847	Ball Bearing	(1)
★ 23	14-13-0520	Diaphragm Assembly	(1)
24	02-50-1210	Needle Bearing	(1)
25	45-88-7301	Heat Treated Washer	(1)
26	32-40-2270	Intermediate Gear	(1)
27	36-66-4500	Intermediate Pinion Shaft	(1)
28	02-04-0640	Ball Bearing	(1)
29	02-50-1611	Needle Bearing	(1)
30	32-75-3320	Spindle Gear	(1)
31	06-42-1200	Woodruff Key	(1)
32	38-50-5740	Reversing Spindle	(1)
★ 34	06-65-0880	Ground Pin	(1)
35	06-82-7440	7-18 x 2-1/2" Pan Hd. Slit. Plast. T-20	(2)
36	02-04-1229	Ball Bearing	(1)
37	34-80-2300	Retaining Ring	(1)
38	45-36-1100	Spindle Spacer	(1)
39	06-82-7344	7-18 x 1-1/2" Pan Hd. Slit. Plast. T-20	(1)
40	48-66-0410	1/2" Chuck	(1)
42	06-75-3150	Chuck Screw - L.H. Thread	(1)

FIG.	PART NO.	DESCRIPTION OF PART	NO. REQ.
★ 46	28-14-2008	Gear Case	(1)
49	43-62-0905	Side Handle	(1)
52	02-04-5130	Ball Bearing	(1)
53	48-11-0200	12 Volt Battery	(1)
54	22-32-0400	Brush Spring Clip	(2)
55	44-66-6140	Mounting Plate	(1)
56	45-88-5615	Wavy Spring Washer	(1)
★ 57	43-44-0925	Gasket	(1)
	10-15-9485	Warning Label	(1)
	10-15-9490	Logo Label	(1)

FIG. LUBRICATION
46 1/2 Oz. Type "E" Grease, No. 49-08-4122. Place near intermediate shaft ball bearing in gear case.

FIG. NOTES
4,7,8 Slot on brush tube must be assembled on the same side as slot on motor housing. Brush assemblies must be inserted with the wire laying inside of brush tube slot. Brush must slide freely inside brush tube. Brush spring clip must snap into detent of brush tube. Press chamfer end first.
7,54 Seal towards armature.
11 Press flush to casting surface.
15 Torque to 15-20 In./Lbs.
24,29 Seal towards chuck.
35,39
36

MILWAUKEE ELECTRIC TOOL CORPORATION
13135 W. LISBON RD., BROOKFIELD, WI 53005