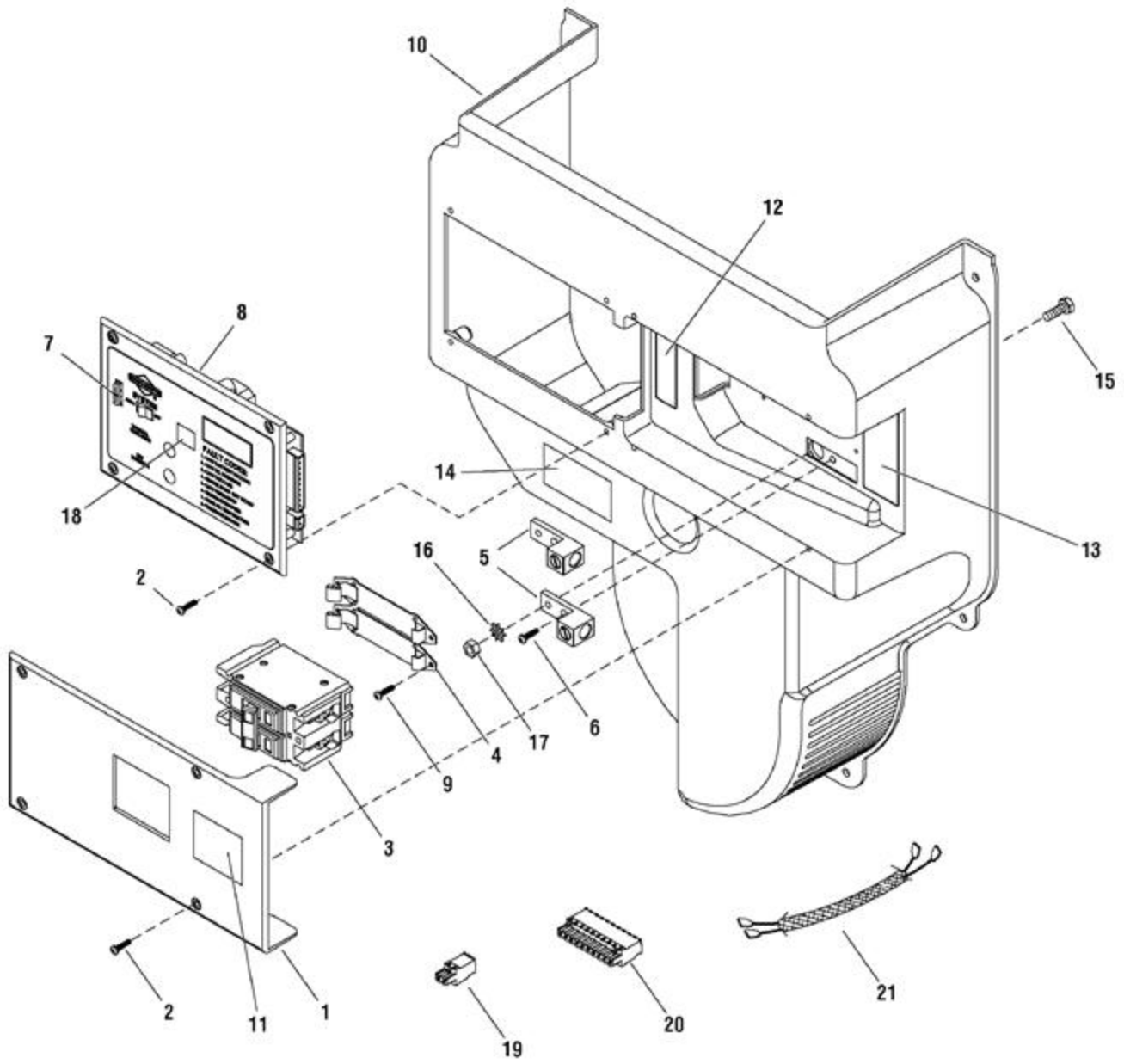
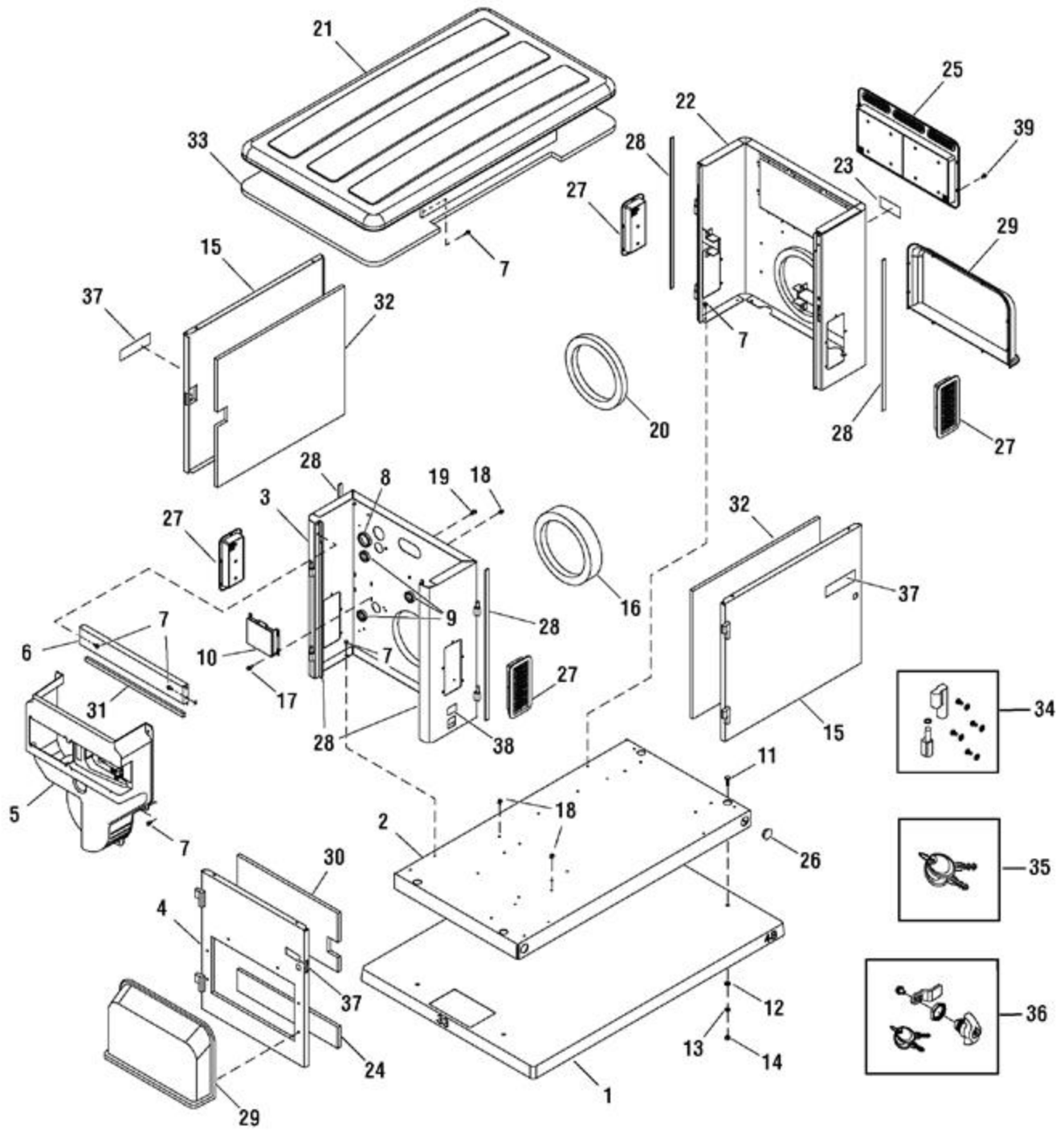


<b>Ref #</b>	<b>Part #</b>	<b>Description</b>	<b>Context Note</b>	<b>Foot Note</b>
1	195235GS	ADAPTER, Engine		
2	199252GS	ROTOR		
3	206042GS	STATOR		
4	195234GS	CARRIER, Bearing		
5	197177GS	SCREW		
6	66386GS	ASSEMBLY, Brush		
7	66849GS	TAPTITE		
8	203200GS	WASHER		
9	200442GS	BOLT		
10	199888GS	O-RING		

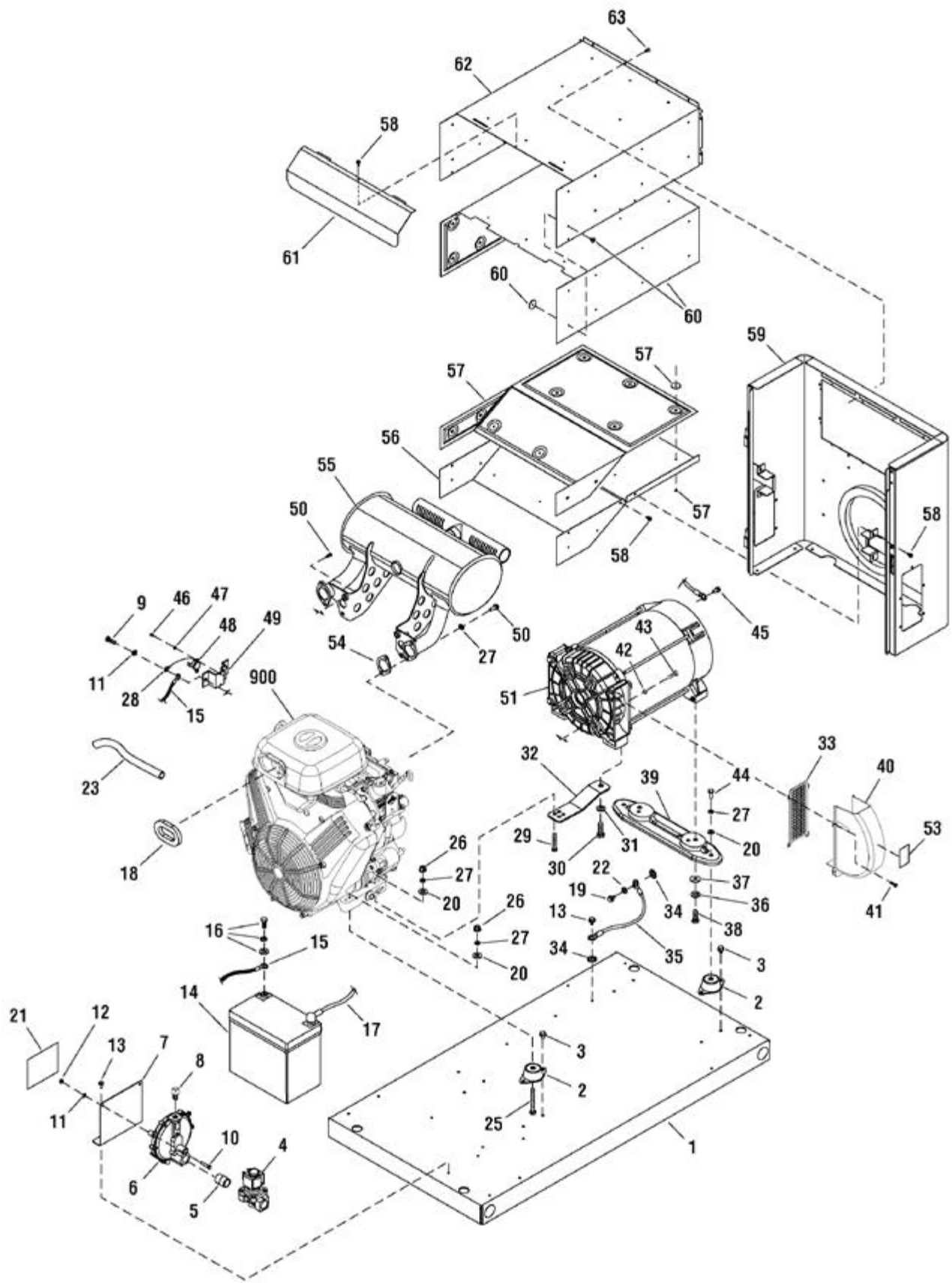


Ref #	Part #	Description	Context Note	Foot Note
1	205929GS	COVER		
2	B3311GS	PLASTITE		
3	311317GS	BREAKER, Circuit, 70A		
4	192770GS	BRACKET		
5	199011GS	LUG		
6	191991GS	PLASTITE		
7	198573GS	FUSE		
8	311353GS	PANEL, Control		
9	197492GS	SCREW		
10	205928GS	DUCT		
11	206821GS	DECAL		
12	206578GS	DECAL		
13	206842GS	DECAL		
14	206820GS	DECAL		
15	-----	* CAPSCREW, Hex Head, 1/4-20 x 3/4		*Items without part numbers are common fasteners and are available at local hardware stores.
16	-----	* WASHER, Shakeproof, M6		*Items without part numbers are common fasteners and are available at local hardware stores.
17	-----	* NUT, 1/4-20		*Items without part numbers are common fasteners and are available at local hardware stores.
18	207004GS	DECAL		
19	198515GS	CONNECTOR, 2 Pin		
20	198516GS	CONNECTOR, 10 Pin		
21	198517GS	HARNESS, Wiring		
--	202882GS	HARNESS, Wiring	(Not Illustrated)	
--	203020GS	HARNESS, AVR	(Not Illustrated)	



Ref #	Part #	Description	Context Note	Foot Note
1	197275GS	PAD, Mounting		
2	U203030GS	BASE		
3	203437GS	BULKHEAD ASSEMBLY, Engine		
--	-----	BULKHEAD, Engine		
--	-----	DECAL		
--	-----	SEAL, Foam		
--	-----	SEAL, Foam		
--	-----	KIT, Plugs		
--	-----	PIN		
4	206942GS	DOOR ASSEMBLY		
--	-----	WELDMENT		
--	-----	INSULATION		
--	-----	HINGES		
5	205928GS	DUCT ASSEMBLY		
--	-----	DECAL		
--	-----	LUG		
--	-----	BRACKET		
6	198993GS	SUPPORT RAIL ASSEMBLY		
--	-----	SUPPORT, Rail		
--	-----	SEAL, Foam		
--	-----	DECAL		
7	B4300GS	BOLT		
8	203015GS	BUSHING, Snap		
9	197493GS	BUSHING, Snap		
10	205479GS	REGULATOR, Voltage, Full Wave		
11	-----	* CAPSCREW, Hex Head, 3/8-16 x 1		*Items without part numbers are common fasteners and are available at local hardware stores.
12	-----	* WASHER, Flat, 3/8-M10		*Items without part numbers are common fasteners and are available at local hardware stores.
13	-----	* WASHER, Lock, 3/8		*Items without part numbers are common fasteners and are available at local hardware stores.
14	-----	* NUT, 3/8-16		*Items without part numbers are common fasteners and are available at local hardware stores.
15	200438GS	DOOR ASSEMBLY		

<b>Ref #</b>	<b>Part #</b>	<b>Description</b>	<b>Context Note</b>	<b>Foot Note</b>
--	-----	WELDMENT		
--	-----	INSULATION		
--	-----	HINGES		
16	202956GS	SEAL, Foam		
17	192778GS	TAPTITE		
18	195733GS	MOUNT, Tiewrap		
19	192940GS	CLIP		
20	202957GS	SEAL, Foam		
21	198893GS	DOOR		
--	-----	WELDMENT		
--	-----	INSULATION		
22	206841GS	BULKHEAD ASSEMBLY, Alternator		
--	-----	DECAL		
--	-----	SEAL, Foam		
--	-----	SEAL, Foam		
--	-----	PIN		
--	-----	BRACKET, Muffler		
23	206863GS	DECAL		
24	203303GS	COVER, Air Intake		
25	198926GS	VENT		
26	198460GS	PLUG, Hole		
27	198927GS	VENT		
28	198888GS	SEAL, Foam		
29	194694GS	COVER, Air Intake		
30	203302GS	INSULATION		
31	197312GS	SEAL, Foam		
32	196397GS	INSULATION		
33	195597GS	INSULATION		
34	198890GS	HINGE		
35	207652GS	KEY, Latch		
36	204700GS	LATCH		
37	206866GS	DECAL		
38	203844GS	DECAL		
39	313085GS	SCREW		





Ref #	Part #	Description	Context Note	Foot Note
1	U203030GS	BASE		
2	187594GS	MOUNT, Vibration		
3	24910GS	TAPTITE		
4	194683GS	SOLENOID, Gas Fuel		
5	194829GS	FITTING		
6	194830GS	REGULATOR, NG/LPG		
7	195936GS	BRACKET		
8	202382GS	FITTING		
9	-----	* CAPSCREW, Hex Head, M6-1.0 x 16		*Items without part numbers are common fasteners and are available at local hardware stores.
10	-----	* CAPSCREW, Hex Head, M6-1.0 x 30		*Items without part numbers are common fasteners and are available at local hardware stores.
11	-----	* WASHER, Lock, 1/4		*Items without part numbers are common fasteners and are available at local hardware stores.
12	-----	* NUT, M6-1.0		*Items without part numbers are common fasteners and are available at local hardware stores.
13	B4300GS	BOLT		
14	194818GS	BATTERY		
15	185939UGS	WIRE		
16	198913GS	KIT, Hardware, Battery		
17	198593DGS	WIRE		
18	202958GS	TUBE		
19	B4995GS	SCREW		
20	-----	* WASHER, Flat, 5/16-M8		*Items without part numbers are common fasteners and are available at local hardware stores.
21	206865GS	DECAL		
22	-----	* WASHER, Shakeproof, M6		*Items without part numbers are common fasteners and are available at local hardware stores.
23	1723165SM	HOSE, Oil Drain		
25	-----	* CAPSCREW, Hex Head, 5/16-18 x 2-1/2		*Items without part numbers are common fasteners and are available at local hardware stores.
26	-----	* NUT, 5/16-18		*Items without part numbers are common fasteners and are available at local hardware stores.

Ref #	Part #	Description	Context Note	Foot Note
27	-----	* WASHER, Lock, 5/16-M8		*Items without part numbers are common fasteners and are available at local hardware stores.
28	186790CGS	WIRE		
29	-----	* CAPSCREW, Hex Head, 5/16-18 x 2		*Items without part numbers are common fasteners and are available at local hardware stores.
30	-----	* CAPSCREW, Hex Head, M12-1.75 x 35		*Items without part numbers are common fasteners and are available at local hardware stores.
31	-----	* WASHER, M12		*Items without part numbers are common fasteners and are available at local hardware stores.
32	B194685GS	SUPPORT, Engine		
33	202922GS	SCREEN		
34	-----	* WASHER, Shakeproof, M6-1/4		*Items without part numbers are common fasteners and are available at local hardware stores.
35	185939WGS	WIRE		
36	-----	* WASHER, Lock, 3/8		*Items without part numbers are common fasteners and are available at local hardware stores.
37	-----	* WASHER, Flat, 3/8		*Items without part numbers are common fasteners and are available at local hardware stores.
38	-----	* CAPSCREW, Hex Head, 3/8-16 x 1		*Items without part numbers are common fasteners and are available at local hardware stores.
39	B198896GS	SUPPORT, Alternator		
40	202761GS	DUCT		
41	-----	* SCREW, Taptite, M5-0.8 x 10		*Items without part numbers are common fasteners and are available at local hardware stores.
42	-----	* WASHER, Lock, 3/8		*Items without part numbers are common fasteners and are available at local hardware stores.
43	-----	* CAPSCREW, 3/8-16 x 1-1/4		*Items without part numbers are common fasteners and are available at local hardware stores.
44	-----	* CAPSCREW, Hex Head, 5/16-18 x 3/4		*Items without part numbers are common fasteners and are available at local hardware stores.
45	B4300GS	BOLT		

Ref #	Part #	Description	Context Note	Foot Note
46	-----	* SCREW, Phillips Head, 4-40 x 0.19		*Items without part numbers are common fasteners and are available at local hardware stores.
47	-----	* WASHER, Lock, #4		*Items without part numbers are common fasteners and are available at local hardware stores.
48	186205GS	SWITCH, Temp		
49	194699GS	PLATE, Temp Switch		
50	809743	SCREW		
51	-----	ALTERNATOR		
53	206864GS	DECAL		
54	809872	GASKET		
55	202885GS	MUFFLER		
56	202884GS	BASE		
57	203533GS	INSULATION		
58	56893GS	CRIMPTITE		
59	202988GS	BULKHEAD, Alternator		
60	203534GS	INSULATION		
61	194682GS	COLLECTOR		
62	202883GS	BOX, Muffler, Top		
63	192445GS	SCREW		
900	-----	** ENGINE		** Contact Engine Manufacturer
--	205950GS	MANUAL, Installation	(Not Illustrated)	
--	205951GS	MANUAL, Operator`s	(Not Illustrated)	
--	279551TRI	MANUAL, Engine	(Not Illustrated)	
--	279543TRI	MANUAL, Engine	(Not Illustrated)	
--	205922GS	KIT, Manual ACC	(Not Illustrated)	
--	198810GS	PAINT, Touch Up, Gray	(Not Illustrated)	
--	198811GS	PAINT, Touch Up, Silver	(Not Illustrated)	
--	B3518GS	CAP, Funnel	(Not Illustrated)	
--	202295GS	HOSE, Flex, NG/LPG	(Not Illustrated)	
--	207966GS	PLATE, Cover	(Not Illustrated)	

<b>Ref #</b>	<b>Part #</b>	<b>Description</b>	<b>Context Note</b>	<b>Foot Note</b>
--	203434GS	KIT, Decal	(Not Illustrated)	
--	841856	FILTER, A/C Cartridge	(Not Illustrated)	
--	692520	FILTER, Precleaner	(Not Illustrated)	
--	842921	FILTER, Oil	(Not Illustrated)	
--	199474GS	PAINT, Spray, Gray	(Optional Accessory)	
--	199475GS	PAINT, Spray, Silver	(Optional Accessory)	
--	6036	KIT, Maintenance	(Optional Accessory)	
--	6030	KIT, Cold Weather (Includes Battery and Oil Warmers)	(Optional Accessory)	