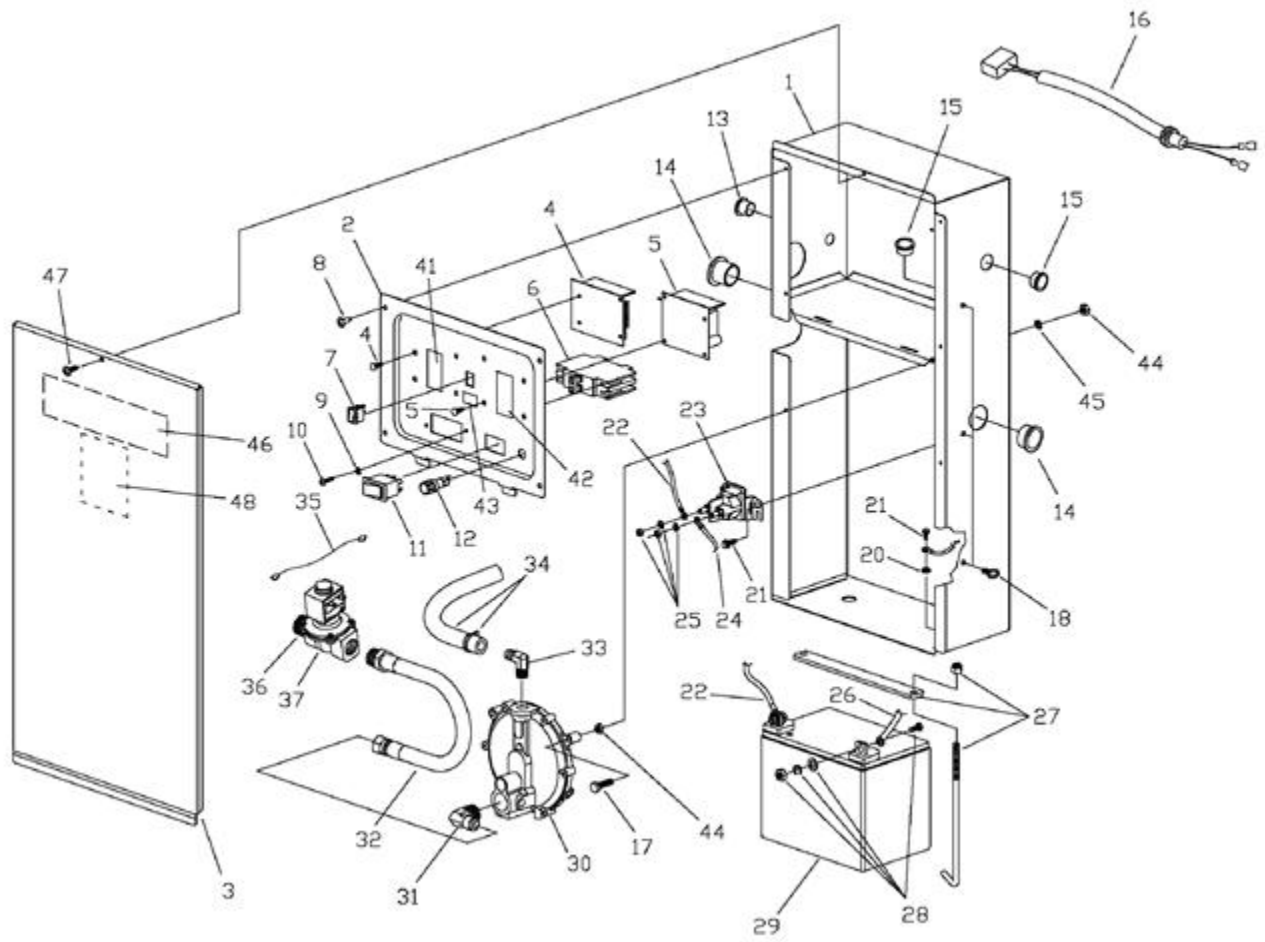
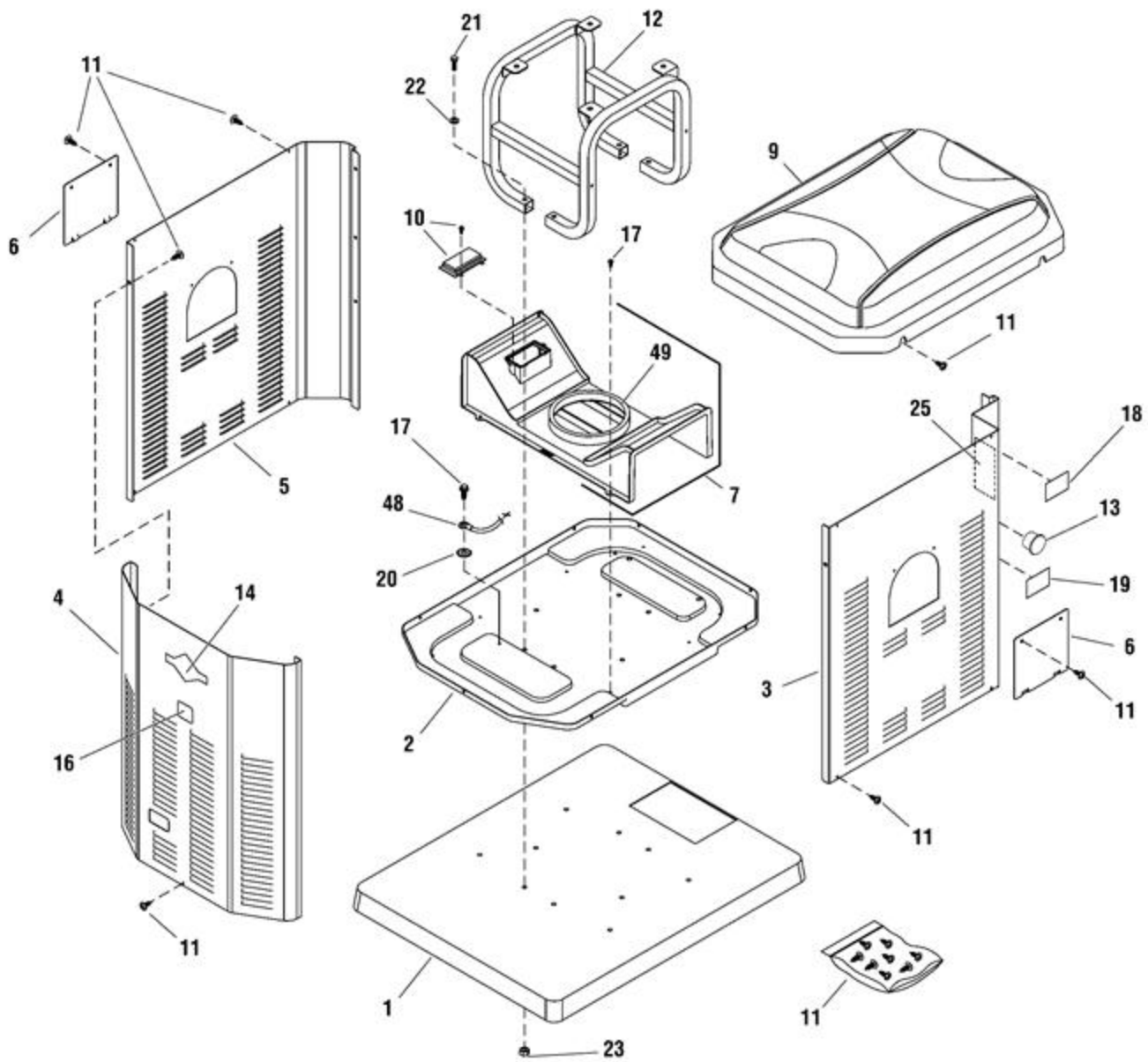


Ref #	Part #	Description	Qty	Context	Note	Foot Note
1	209599GS	ADAPTER, Alternator				
2	195430GS	ROTOR				
3	193091AGS	STATOR				
4	193336GS	CARRIER, Bearing				
5	86308BGS	SCREW				
6	66386GS	ASSEMBLY, Brush				
7	66849GS	TAPTITE, M5-0.8 x 16				
8	22694GS	CONNECTOR				
9	81917GS	PIN				
10	193472GS	HARNESS, Wiring				
11	192906GS	COVER, Rear Bearing				
12	74908GS	TAPTITE				
13	65791GS	BEARING				

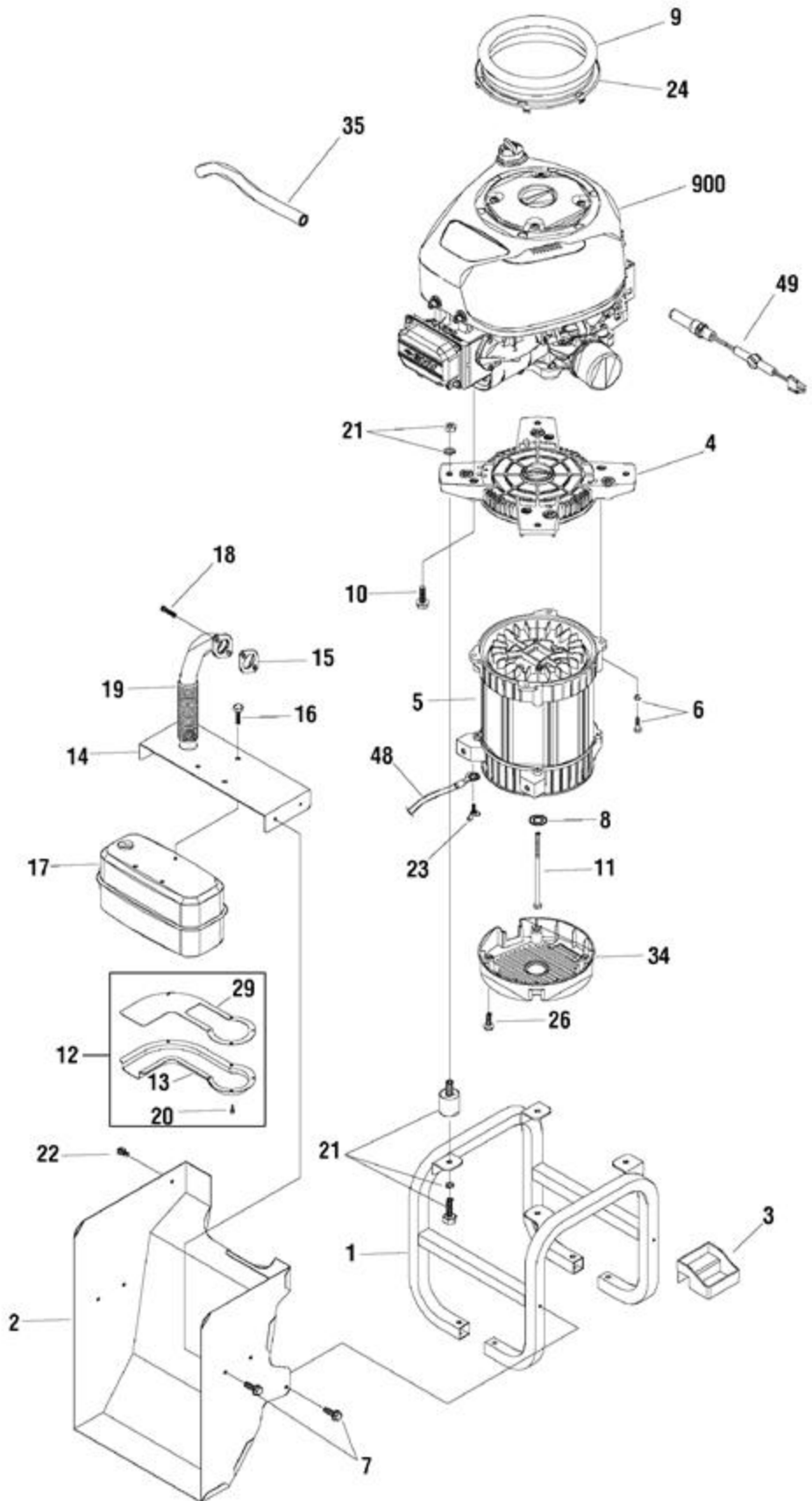


Ref #	Part #	Description	Qty	Context Note	Foot Note
1	195229GS	PANEL, Control			
2	199334GS	PANEL, Control			
3	198990GS	PANEL, Side			
4	195004GS	BOARD, Circuit			
--	186413GS	STANDOFF			
5	195003GS	BOARD, Battery Charge			
--	186413GS	STANDOFF			
6	190818EGS	BREAKER, Circuit, 30A			
7	87799GS	SWITCH, ON/OFF			
8	----	*SCREW, #10 x 5.8			*Items without part numbers are common fasteners and are available at local hardware stores.
9	----	*WASHER, Shakeproof, #6			*Items without part numbers are common fasteners and are available at local hardware stores.
10	----	*SCREW, Phillips Head, #6-32 x 3/8			*Items without part numbers are common fasteners and are available at local hardware stores.
11	193423GS	SWITCH			
12	195006GS	HOLDER, Fuse			
13	192455GS	BUSHING, Snap			
14	186173GS	BUSHING, Snap			
15	186582GS	BUSHING, Snap			
16	195007GS	HARNESS, WIRING			
17	----	*CAPSCREW, Hex Head, M6-1 x 30			*Items without part numbers are common fasteners and are available at local hardware stores.
18	195009GS	KIT, Retainer Clips			
20	----	*WASHER, Shakeproof Ext. M6-1/4			*Items without part numbers are common fasteners and are available at local hardware stores.
21	----	*BOLT, Swage, 1/4-20 x 1/2			*Items without part numbers are common fasteners and are available at local hardware stores.
22	193171GS	WIRE			
23	691656	CONTACTOR, Starter			
24	194659GS	WIRE			
25	194251GS	KIT, Hardware			
26	188573AGS	WIRE			

Ref #	Part #	Description	Qty	Context Note	Foot Note
27	199844GS	KIT, Hardware, Battery			
28	193347GS	KIT, Hardware, Battery Terminal			
29	188443GS	BATTERY			
30	193291GS	REGULATOR, NG/LPG			
31	186151GS	FITTING			
32	186148GS	HOSE, Flex, NG/LPG			
33	186150GS	FITTING			
34	195005GS	HOSE, NG/LPG			
35	193537CGS	WIRE			
36	192449GS	FITTING			
37	194683GS	SOLENOID, Gas Fuel			
41	186645GS	DECAL			
42	195306GS	DECAL			
43	B4986AGS	DECAL			
44	-----	*NUT, M6-10			*Items without part numbers are common fasteners and are available at local hardware stores.
45	-----	*WASHER, Lock, 1/4			*Items without part numbers are common fasteners and are available at local hardware stores.
46	186641GS	DECAL			
47	-----	*SCREW, 10 x 32 x 1			*Items without part numbers are common fasteners and are available at local hardware stores.
48	205397GS	DECAL, Requirements, Fuel			



Ref #	Part #	Description	Qty	Context Note	Foot Note
1	192441AGS	PAD, Mounting			
2	U191852GS	BASE			
3	198989GS	PANEL, Side			
4	199333GS	PANEL, End			
5	199335GS	PANEL, Side			
6	U208787GS	COVER, Oil Drain			
7	195228GS	DUCT		(Includes Ref. No. 49)	
9	199009GS	ROOF			
10	194993GS	KIT, Board Circuit AVR			
11	194991GS	KIT, Hardware, Enclosure			
12	B191860GS	CRADLE			
13	185976GS	PLUG, Hole			
14	199296GS	DECAL			
16	200409GS	DECAL			
17	-----	*BOLT, Swage, 1/4-20 x 1/2			*Items without part numbers are common fasteners and are available at local hardware stores.
18	195642GS	DECAL			
19	186643GS	DECAL			
20	-----	*WASHER, Shakeproof Ext. M6-1/4			*Items without part numbers are common fasteners and are available at local hardware stores.
21	-----	*CAPSCREW, Hex Head, 5/16-18 x 2			*Items without part numbers are common fasteners and are available at local hardware stores.
22	-----	*WASHER, Flat, 5/16-M8			*Items without part numbers are common fasteners and are available at local hardware stores.
23	-----	*NUT, Flange Serrated, 5/16-18			*Items without part numbers are common fasteners and are available at local hardware stores.
25	206824GS	DECAL			
48	195496GS	WIRE			
49	193061GS	SEAL, Foam			



Ref #	Part #	Description	Qty	Context Note	Foot Note
1	B191860GS	CRADLE			
2	194568GS	DUCT			
3	193536GS	TRAY, Oil Drain			
4	191793GS	ADAPTER, Engine			
5	-----	ALTERNATOR (see page 4)			
6	194728GS	KIT, Hardware, Adapter			
7	-----	*BOLT, Swage, 1/4-20 x 1/2			*Items without part numbers are common fasteners and are available at local hardware stores.
8	96796GS	WASHER			
9	193012GS	SEAL, Foam			
10	75246GS	TAPTITE			
11	187365HGS	SCREW			
12	207270GS	DEFLECTOR, Muffler			
13	193475GS	DEFLECTOR, Muffler			
14	206856GS	BRACKET, Muffler			
15	692236	GASKET			
16	83512GS	TAPTITE			
17	207059GS	MUFFLER			
18	698941	SCREW			
19	194159GS	PIPE, Exhaust			
20	195008GS	KIT, Hardware, Deflector			
21	194209GS	KIT, Vibration Mount			
22	192940GS	CLIP			
23	86494GS	SCREW			
24	192853GS	COLLAR, Air Inlet			
26	74908GS	TAPTITE			
29	194221GS	ARRESTOR, Spark			
34	192906GS	COVER, Rear Bearing			
35	1723165SM	HOSE			
48	15253621GS	WIRE			
49	01916	WARMER, Oil			
900	-----	ENGINE			

Ref #	Part #	Description	Qty	Context Note	Foot Note
--	198838GS	MANUAL, Operator's		(Not Shown)	
--	198833GS	KIT, Manual ACC		(Not Shown)	
--	194089GS	BOX, Disconnect		(Not Shown)	
--	202295GS	HOSE, Flex, NG/LPG		(Not Shown)	
--	198810GS	PAINT, Touch Up, Gray		(Not Shown)	
--	194989GS	KIT, Led Remote		(Not Shown)	
--	277766TRI	MANUAL, Engine		(Not Shown)	
--	195069GS	KIT, LP Conversion		(Not Shown)	
--	196731BGS	BIT, Screw		(Not Shown)	
--	01915	WARMER, Battery		(Optional Accessory)	
--	199474GS	PAINT, Spray, Gray		(Optional Accessory)	