



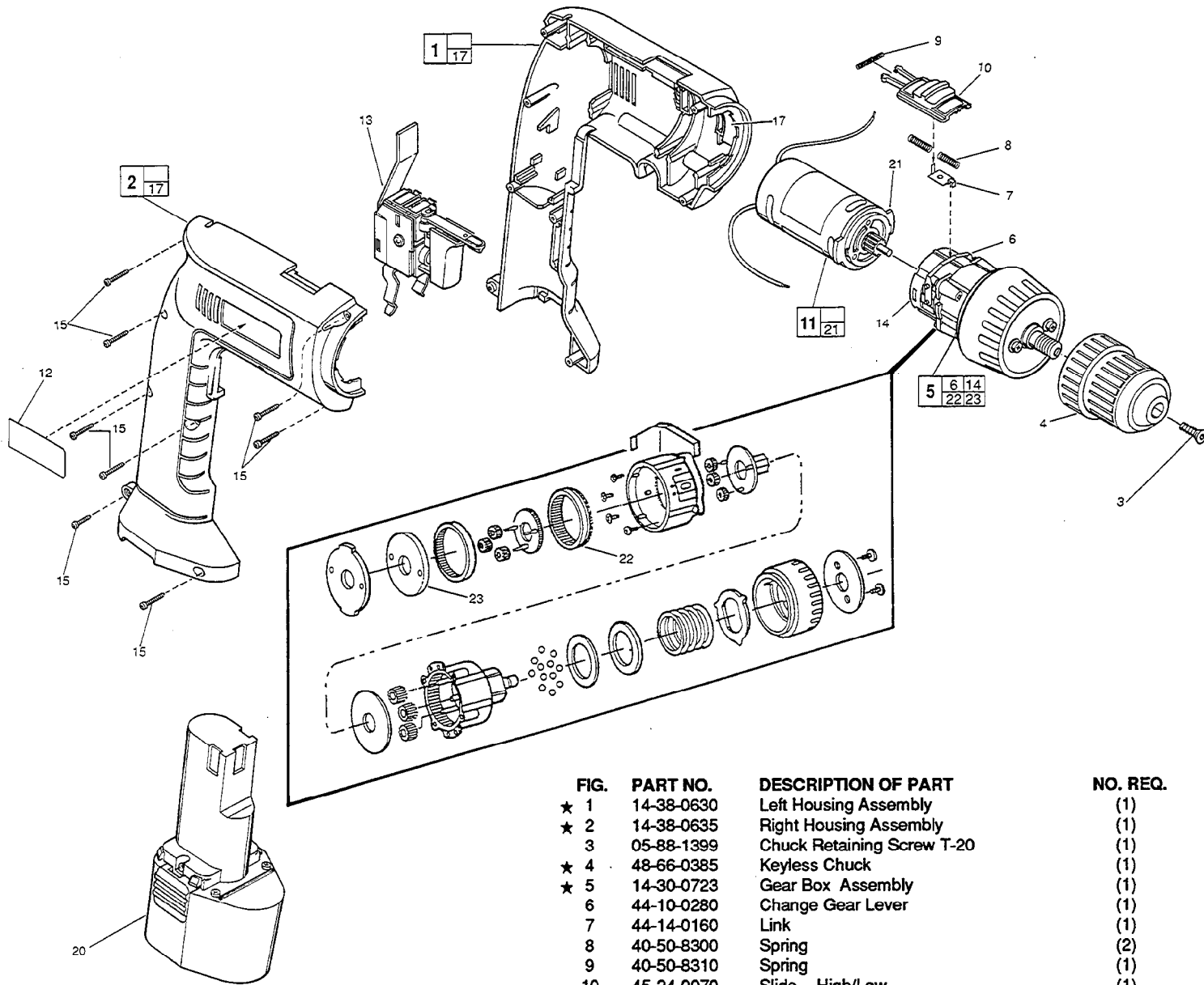
SERVICE PARTS LIST

BULLETIN NO.
54-06-1852

| | | | |
|--|---------------------------------|---|-------------------|
| SPECIFY CATALOG NO. AND SERIAL NO. WHEN ORDERING PARTS | | REVISED BULLETIN 54-06-1851 | DATE April '95 |
| VARIABLE SPEED 3/8" CORDLESS DRIVER/DRILL | | | |
| CATALOG NO. 0396-1 | STARTING SERIAL NO. 783B | WIRING INSTRUCTION 58-01-1241 | |

EXAMPLE:
Component Parts (Small #)
Are Included When Ordering
The Assembly (Large #).

00 0



| FIG. | PART NO. | DESCRIPTION OF PART | NO. REQ. |
|------|------------|---|----------|
| ★ 1 | 14-38-0630 | Left Housing Assembly | (1) |
| ★ 2 | 14-38-0635 | Right Housing Assembly | (1) |
| ★ 3 | 05-88-1399 | Chuck Retaining Screw T-20 | (1) |
| ★ 4 | 48-66-0385 | Keyless Chuck | (1) |
| ★ 5 | 14-30-0723 | Gear Box Assembly | (1) |
| 6 | 44-10-0280 | Change Gear Lever | (1) |
| 7 | 44-14-0160 | Link | (1) |
| 8 | 40-50-8300 | Spring | (2) |
| 9 | 40-50-8310 | Spring | (1) |
| 10 | 45-24-0070 | Slide - High/Low | (1) |
| 11 | 14-50-0610 | Motor Assembly | (1) |
| 12 | 12-20-0340 | Service Nameplate Kit | (1) |
| ★ 13 | 23-66-2300 | Variable Speed Switch | (1) |
| 14 | 31-50-0770 | Gear Housing | (1) |
| 15 | 06-82-7236 | 4-20 x 5/8" Plastite Pan Hd. Torx T-10 | (8) |
| 17 | 44-52-0440 | Foam Pad | (2) |
| ★ 20 | | 9.6 V. Battery Pack - Select From Catalog | (1) |
| 21 | 44-66-0850 | Motor Mount Plate | (1) |
| ★ 22 | 32-65-0050 | Shift Lever Ring Gear | (1) |
| ★ 23 | 45-88-8590 | Thrust Washer | (1) |