

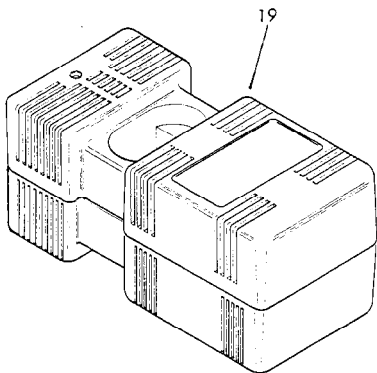
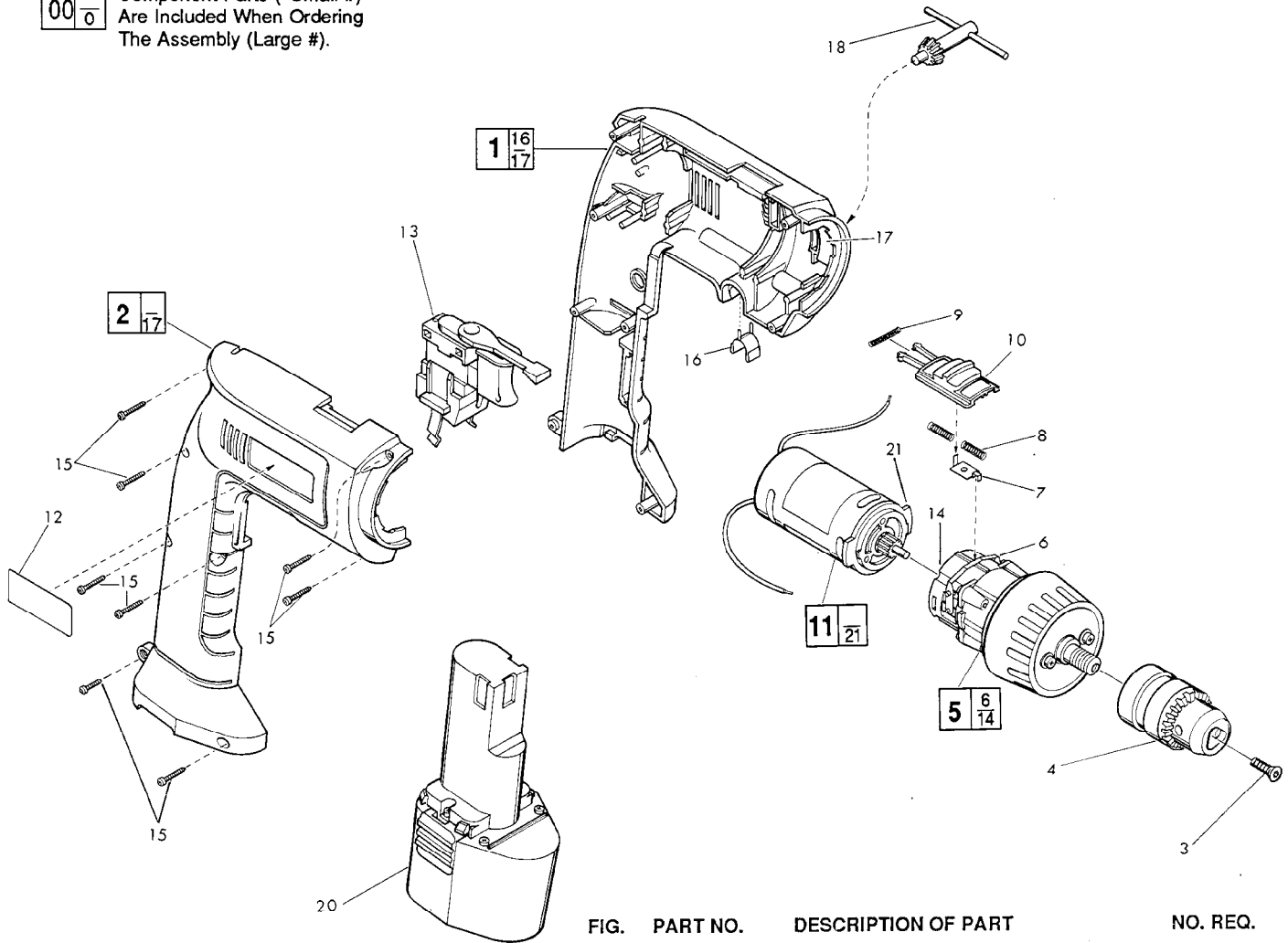


SERVICE PARTS LIST

BULLETIN NO.
54-06-1550

| | | | |
|--|------------------------------|--------------------|---------|
| SPECIFY CATALOG NO. AND SERIAL NO. WHEN ORDERING PARTS | | REVISED BULLETIN | DATE |
| 2 SPEED 3/8" CORDLESS DRIVER/DRILL | | | Feb.'91 |
| CATALOG NO. 0391-1 | STARTING SERIAL NO. 764-1001 | WIRING INSTRUCTION | |
| | | 58-01-1010 | |

EXAMPLE:
Component Parts (Small #)
Are Included When Ordering
The Assembly (Large #).



| FIG. | PART NO. | DESCRIPTION OF PART | NO. REQ. |
|------|------------|--|----------|
| 1 | 14-38-0511 | Left Housing Assembly | (1) |
| 2 | 14-38-0521 | Right Housing Assembly | (1) |
| 3 | 05-88-0505 | Chuck Retaining Screw T-20 | (1) |
| 4 | 48-66-0817 | Chuck | (1) |
| 5 | 14-30-0720 | Gear Box Assembly | (1) |
| 6 | 44-10-0260 | Change Gear Lever | (1) |
| 7 | 44-14-0160 | Link | (1) |
| 8 | 40-50-8300 | Spring | (2) |
| 9 | 40-50-8310 | Spring | (1) |
| 10 | 45-24-0070 | Slide - High/Low | (1) |
| 11 | 14-50-0610 | Motor Assembly | (1) |
| 12 | 12-99-0880 | Service Nameplate | (1) |
| 13 | 23-66-1750 | Switch | (1) |
| 14 | 43-76-0590 | Gear Housing | (1) |
| 15 | 06-82-7236 | 4-20x5/8" Plastiite Pan Hd. Torx T-10 | (8) |
| 16 | 42-70-0260 | Clip-Chuck Key | (1) |
| 17 | 44-52-0440 | Foam Pad | (2) |
| 18 | 48-66-3350 | Chuck Key | (1) |
| 19 | 48-59-0166 | Battery Charger (Refer to Bulletin 54-04-0150) | (1) |
| 20 | 48-11-0080 | 9.6 V. Battery Pack | (1) |
| 21 | 44-66-5870 | Motor Mount Plate | (1) |