



# SERVICE PARTS LIST

BULLETIN NO.  
54-06-1900

SPECIFY CATALOG NO. AND SERIAL NO. WHEN ORDERING PARTS		REVISED BULLETIN	DATE
CORDLESS 3/8" KEYLESS CHUCK HOLE-SHOOTER			July '90
CATALOG NO. 0386-1	DATE CODE 890207	WIRING INSTRUCTION 58-01-1030	

**EXAMPLE:**

00 0 Component Parts ( Small #) Are Included When Ordering The Assembly (Large #).

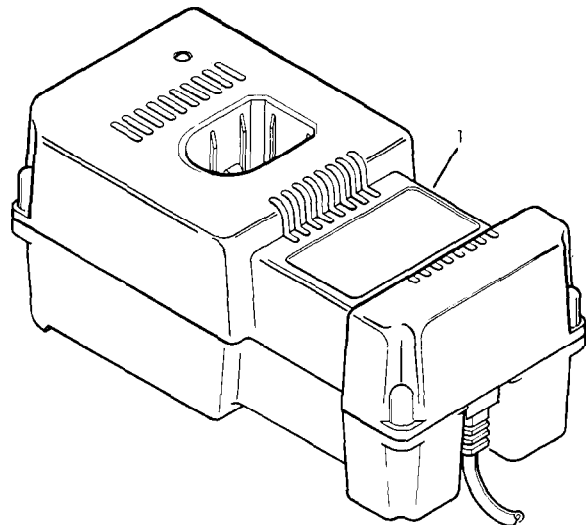
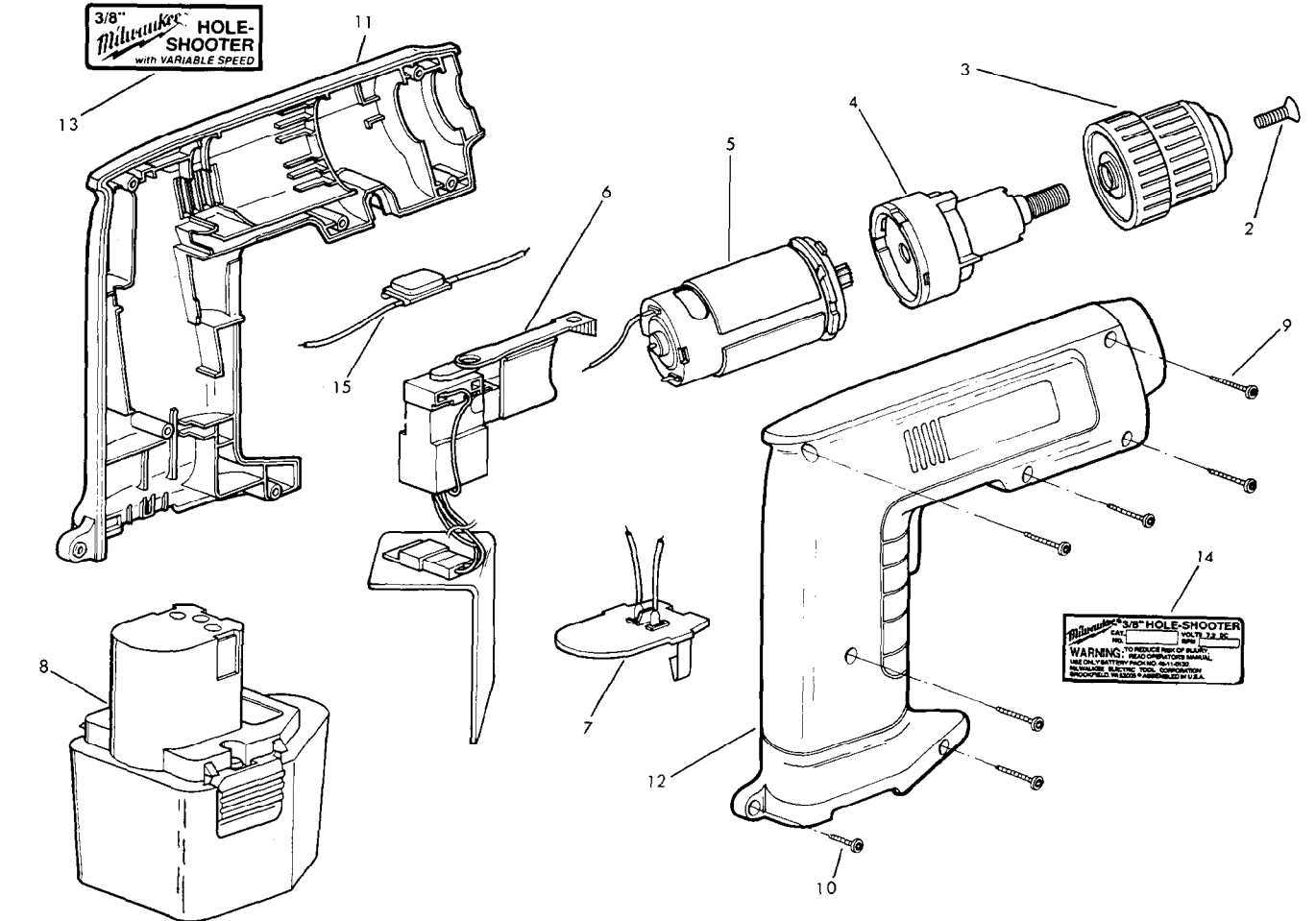


FIG.	PART NO.	DESCRIPTION OF PART	NO. REQ.
1	48-59-0210	7.2 V. Battery Charger (Refer to Bulletin 54-04-0120)	(1)
2	05-88-0505	Chuck Fastening Screw T-20	(1)
3	48-66-0375	Keyless Chuck	(1)
4	14-30-0710	Gear Box Assembly	(1)
5	14-50-0540	Motor Assembly	(1)
6	23-66-1910	Switch	(1)
7	22-56-0600	Terminal Assembly	(1)
8	48-11-0130	7.2 Volt Battery Pack	(1)
9	06-82-7236	4-20 x 5/8" Plast. Pan Hd. T-10	(6)
10	06-82-7225	4-20 x 1/2 Plast. Pan Hd. T-10	(1)
11	31-50-0880	Left Housing	(1)
12	31-50-0890	Right Housing	(1)
13	10-98-6910	Label	(1)
14	12-99-0920	Service Nameplate	(1)
15	23-75-0100	Thermal Protector	(1)

MILWAUKEE ELECTRIC TOOL CORPORATION  
13135 W. LISBON RD., BROOKFIELD, WI 53005