



SERVICE PARTS LIST

BULLETIN NO.
54-06-0475

SPECIFY CATALOG NO. AND SERIAL NO. WHEN ORDERING PARTS		REVISED BULLETIN	DATE
D.I. 3/8" KEYLESS CHUCK SCREW-DRILL			Jan.'93
CATALOG NO. 0380-1	STARTING SERIAL NO. 807A	WIRING INSTRUCTION 58-01-0372	

EXAMPLE:
Component Parts (Small #)
Are Included When Ordering
The Assembly (Large #).

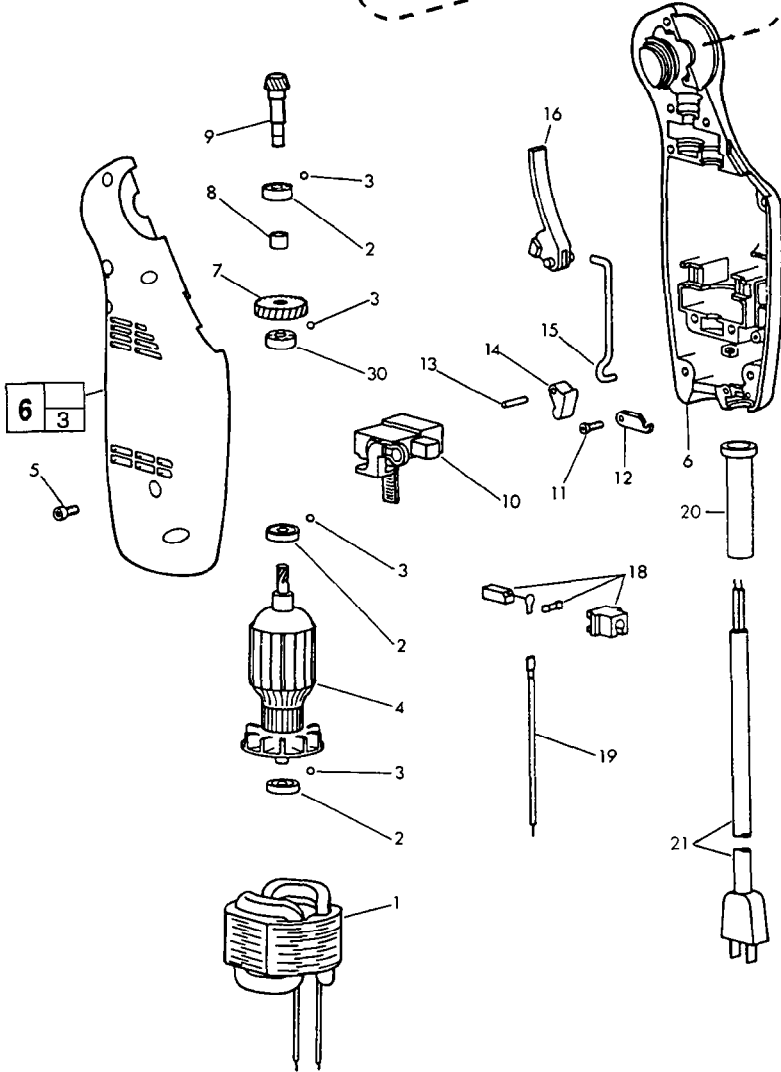
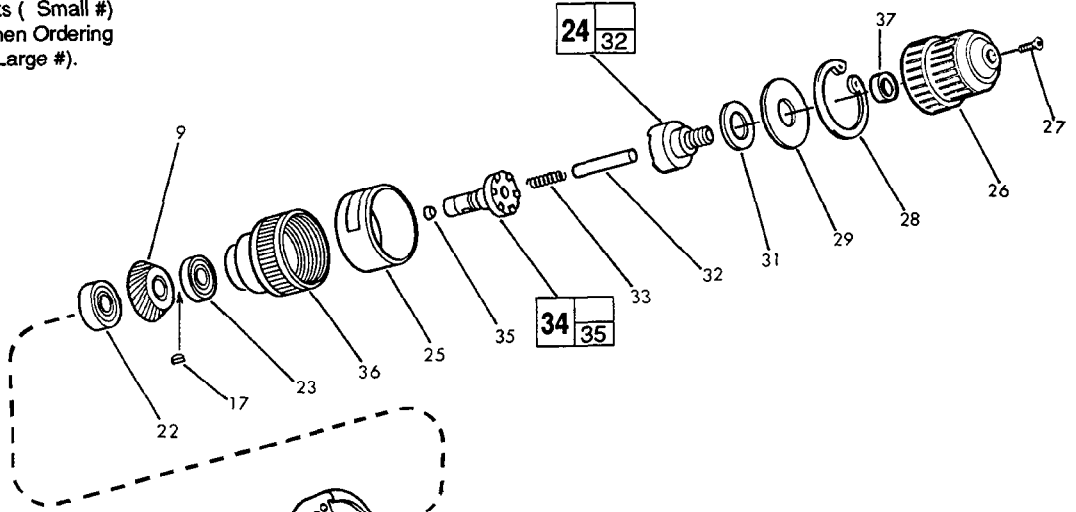


FIG.	PART NO.	DESCRIPTION OF PART	NO. REQ.
1	18-10-0110	115 V. Field	(1)
2	02-04-0300	Ball Bearing	(3)
3	02-02-1500	1/8" Rubber Ball	(4)
4	16-10-0330	115 V. Armature	(1)
5	05-74-0400	M4 x .7 x 10 Socket Hd. Cap Screw	(8)
6	31-50-0456	Housing Assy.	(1)
7	32-42-1151	Helical Gear	(1)
8	45-36-1230	Spacer	(1)
9	32-60-2580	Gear & Pinion Assembly	(1)
10	23-66-1375	Switch	(1)
11	06-95-0040	Phil. Pan Hd. Plastic Screw	(2)
12	42-68-0530	Strain Relief Clamp	(1)
13	06-65-0550	Pin	(1)
14	36-17-0070	Bell Crank	(1)
15	44-94-0290	Switch Rod	(1)
16	45-72-0130	Trigger	(1)
17	06-42-0400	Woodruff Key	(1)
18	22-22-1340	Brush & Holder Assembly	(2)
19	23-94-9800	Wire Assembly	(2)
20	44-76-0160	Cord Protector	(1)
21	22-64-0215	Cord Set	(1)
22	02-04-0911	Ball Bearing	(1)
23	02-08-0390	Ball Bearing	(1)
24	38-50-6000	Output Spindle	(1)
25	45-22-0520	Sleeve	(1)
26	48-66-0375	3/8" Keyless Chuck	(1)
27	05-88-1400	Chuck Screw	(1)
28	34-80-5070	Retaining Ring	(1)
29	45-88-8490	Washer	(1)
30	02-04-0450	Ball Bearing	(1)
31	45-88-8500	Washer-Service Kit	(1)
32	44-60-1390	Pin	(1)
33	40-50-8570	Spring	(1)
34	38-50-6010	Spindle-Clutch	(1)
35	45-04-0890	Screw-Jam Set	(1)
36	42-30-0350	Clutch Body & Nut	(1)
37	45-88-8505	Chuck Spacer	(1)
	12-20-0320	Service Nameplate Kit	(1)
	10-15-0260	Fwd/Rev Label	(1)